

LM4051

Precision Micropower Shunt Voltage Reference

General Description

Ideal for space critical applications, the LM4051 precision voltage reference is available in the sub-miniature (3 mm x 1.3 mm) SSOT-23 surface-mount package. The LM4051's advanced design eliminates the need for an external stabilizing capacitor while ensuring stability with any capacitive load, thus making the LM4051 easy to use. Further reducing design effort is the availability of a fixed (1.225V) and adjustable reverse breakdown voltage. The minimum operating current is 60 μ A for the LM4051-1.2 and the LM4051-ADJ. Both versions have a maximum operating current of 12 mA.

The LM4051 comes in three grades (A, B, and C). The best grade devices (A) have an initial accuracy of 0.1%, while the B-grade have 0.2% and the C-grade 0.5%, all with a tempco of 50 ppm/ $^{\circ}$ C guaranteed from -40° C to 125° C.

The LM4051 utilizes fuse and zener-zap trim of reference voltage during wafer sort to ensure that the prime parts have an accuracy of better than $\pm 0.1\%$ (A grade) at 25° C.

Features

- Small packages: SSOT-23
- No output capacitor required
- Tolerates capacitive loads
- Reverse breakdown voltage options of 1.225V and adjustable

Key Specifications (LM4051-1.2)

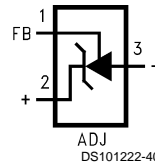
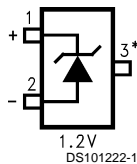
- | | |
|---------------------------------------------------------------------------------------------------|------------------------------------|
| ■ Output voltage tolerance
(A grade, 25° C) | $\pm 0.1\%$ (max) |
| ■ Low output noise
(10 Hz to 10kHz) | $20\mu V_{rms}$ |
| ■ Wide operating current range | 60 μ A to 12mA |
| ■ Industrial temperature range
(tempco guaranteed from
-40° C to $+125^{\circ}$ C) | -40° C to $+85^{\circ}$ C |
| ■ Low temperature coefficient | 50 ppm/ $^{\circ}$ C (max) |

Applications

- Portable, Battery-Powered Equipment
- Data Acquisition Systems
- Instrumentation
- Process Control
- Energy Management
- Automotive and Industrial
- Precision Audio Components
- Base Stations
- Battery Chargers
- Medical Equipment
- Communication

Connection Diagrams

SSOT-23



*This pin must be left floating or connected to pin 2.

Top View

See NS Package Number MF03A

Ordering Information

Reverse Breakdown Voltage Tolerance at 25°C and Average Reverse Breakdown Voltage Temperature Coefficient	LM4051 Supplied as 1000 Units, Tape and Reel	LM4051 Supplied as 3000 Units, Tape and Reel	Part Marking
±0.1%, 50 ppm/°C max (A grade)	LM4051AIM3-1.2	LM4051AIM3X-1.2	RIA
	LM4051AIM3-ADJ	LM4051AIM3X-ADJ	RHA
±0.2%, 50 ppm/°C max (B grade)	LM4051BIM3-1.2	LM4051BIM3X-1.2	RIB
	LM4051BIM3-ADJ	LM4051BIM3X-ADJ	RHB
±0.5%, 50 ppm/°C max (C grade)	LM4051CIM3-1.2	LM4051CIM3X-1.2	RIC
	LM4051CIM3-ADJ	LM4051CIM3X-ADJ	RHC

SOT-23 Package Marking Information

Only three fields of marking are possible on the SSOT-23's small surface. This table gives the meaning of the three fields.

Field Definition
First Field: R = Reference Second Field: I = 1.225V Voltage Option H = Adjustable Third Field: A–C = Initial Reverse Breakdown Voltage or Reference Voltage Tolerance A = ±0.1%, B = ±0.2%, C = ±0.5%

Absolute Maximum Ratings (Note 1)

If Military/Aerospace specified devices are required, please contact the National Semiconductor Sales Office/Distributors for availability and specifications.

Reverse Current	20 mA
Forward Current	10 mA
Maximum Output Voltage (LM4051-ADJ)	15V
Power Dissipation ($T_A = 25^\circ\text{C}$) (Note 2) M3 Package	280 mW
Storage Temperature	-65°C to $+150^\circ\text{C}$
Lead Temperature M3 Packages	
Vapor phase (60 seconds)	$+215^\circ\text{C}$
Infrared (15 seconds)	$+220^\circ\text{C}$

ESD Susceptibility

Human Body Model (Note 3)	2 kV
Machine Model (Note 3)	200V

See AN-450 "Surface Mounting Methods and Their Effect on Product Reliability" for other methods of soldering surface mount devices.

Operating Ratings (Notes 1, 2)

Temperature Range	$(T_{\min} \leq T_A \leq T_{\max})$
Industrial Temperature Range	$-40^\circ\text{C} \leq T_A \leq +85^\circ\text{C}$
Reverse Current	
LM4051-1.2	60 μA to 12 mA
LM4051-ADJ	60 μA to 12 mA
Output Voltage Range	
LM4051-ADJ	1.24V to 10V

LM4051-1.2

Electrical Characteristics

Boldface limits apply for $T_A = T_J = T_{\min}$ to T_{\max} ; all other limits $T_A = T_J = 25^\circ\text{C}$. The grades A, B and C designate initial Reverse Breakdown Voltage tolerances of $\pm 0.1\%$, $\pm 0.2\%$ and $\pm 0.5\%$ respectively.

Symbol	Parameter	Conditions	Typical (Note 4)	LM4051AIM3 (Limits) (Note 5)	LM4051BIM3 (Limits) (Note 5)	LM4051CIM3 Limits (Note 5)	Units (Limit)
V_R	Reverse Breakdown Voltage	$I_R = 100 \mu\text{A}$	1.225				V
	Reverse Breakdown Voltage	$I_R = 100 \mu\text{A}$		± 1.2	± 2.4	± 6	mV (max)
	Tolerance (Note 6)			± 5.2	± 6.4	± 10.1	mV (max)
$I_{R\text{MIN}}$	Minimum Operating Current		39	60	60	60	μA
				65	65	65	μA (max)
							μA (max)
$\Delta V_R/\Delta T$	Average Reverse Breakdown Voltage Temperature Coefficient (Note 6)	$I_R = 10 \text{ mA}$	± 20				ppm/ $^\circ\text{C}$
		$I_R = 1 \text{ mA}$	± 15				ppm/ $^\circ\text{C}$
		$I_R = 100 \mu\text{A}$ $\Delta T = -40^\circ\text{C}$ to 125°C	± 15	± 50	± 50	± 50	ppm/ $^\circ\text{C}$ (max)
$\Delta V_R/\Delta I_R$	Reverse Breakdown Voltage Change with Operating Current Change	$I_{R\text{MIN}} \leq I_R \leq 1 \text{ mA}$	0.3	1.1	1.1	1.1	mV
				1.5	1.5	1.5	mV (max)
		$1 \text{ mA} \leq I_R \leq 12 \text{ mA}$	1.8	6.0	6.0	6.0	mV (max)
				8.0	8.0	8.0	mV (max)
Z_R	Reverse Dynamic Impedance	$I_R = 1 \text{ mA}$, $f = 120 \text{ Hz}$	0.5				Ω
e_N	Wideband Noise	$I_R = 100 \mu\text{A}$ $10 \text{ Hz} \leq f \leq 10 \text{ kHz}$	20				μV_{rms}
ΔV_R	Reverse Breakdown Voltage Long Term Stability (Note 9)	$t = 1000 \text{ hrs}$ $T = 25^\circ\text{C} \pm 0.1^\circ\text{C}$ $I_R = 100 \mu\text{A}$	120				ppm
V_{HYST}	Output Hysteresis (Note 10)	$\Delta T = -40^\circ\text{C}$ to 125°C	0.36				mV/V

LM4051-ADJ (Adjustable) Electrical Characteristics

Boldface limits apply for $T_A = T_J = T_{MIN}$ to T_{MAX} ; all other limits $T_J = 25^\circ\text{C}$ unless otherwise specified (SSOT-23, see (Note 7))
 $I_{RMIN} \leq I_R \leq 12\text{ mA}$, $V_{REF} \leq V_{OUT} \leq 10\text{V}$. The grades A, B and C designate initial Reference Voltage Tolerances of $\pm 0.1\%$, $\pm 0.2\%$ and $\pm 0.5\%$, respectively for $V_{OUT} = 5\text{V}$.

Symbol	Parameter	Conditions	Typical (Note 4)	LM4051AIM3 (Note 5)	LM4051BIM3 (Note 5)	LM4051CIM3 (Note 5)	Units (Limit)
V_{REF}	Reference Voltage	$I_R = 100\ \mu\text{A}$, $V_{OUT} = 5\text{V}$	1.212				V
	Reference Voltage Tolerance (Note 6), (Note 8)	$I_R = 100\ \mu\text{A}$, $V_{OUT} = 5\text{V}$		± 1.2 ± 5.2	± 2.4 ± 6.4	± 6 ± 10.1	mV (max) mV (max)
I_{RMIN}	Minimum Operating Current		36	60 65	60 65	65 70	μA μA (max) μA (max)
$\Delta V_{REF}/\Delta I_R$	Reference Voltage Change with Operating Current Change	$I_{RMIN} \leq I_R \leq 1\text{ mA}$ $V_{OUT} \geq 1.6\text{V}$ (Note 7)	0.3	1.1 1.5	1.1 1.5	1.1 1.5	mV mV (max) mV(max)
		$1\text{ mA} \leq I_R \leq 12\text{ mA}$ $V_{OUT} \geq 1.6\text{V}$ (Note 7)	0.6	6 8	6 8	6 8	mV mV (max) mV (max)
$\Delta V_{REF}/\Delta V_O$	Reference Voltage Change with Output Voltage Change	$I_R = 0.1\text{ mA}$	-1.69	-2.8 -3.5	-2.8 -3.5	-2.8 -3.5	mV/V mV/V (max) mV/V (max)
I_{FB}	Feedback Current		70	130 150	130 150	130 150	nA nA (max) nA (max)
$\Delta V_{REF}/\Delta T$	Average Reference Voltage Temperature Coefficient (Note 8)	$V_{OUT} = 2.5\text{V}$	20				ppm/ $^\circ\text{C}$
		$I_R = 10\text{ mA}$	15				ppm/ $^\circ\text{C}$
		$I_R = 1\text{ mA}$	15	± 50	± 50	± 50	ppm/ $^\circ\text{C}$
		$I_R = 100\ \mu\text{A}$	15	± 50	± 50	± 50	ppm/ $^\circ\text{C}$ (max)
		$\Delta T = -40^\circ\text{C}$ to $+125^\circ\text{C}$					
Z_{OUT}	Dynamic Output Impedance	$I_R = 1\text{ mA}$, $f = 120\text{ Hz}$, $I_{AC} = 0.1 I_R$ $V_{OUT} = V_{REF}$ $V_{OUT} = 10\text{V}$	0.3 2				Ω Ω
e_N	Wideband Noise	$I_R = 100\ \mu\text{A}$ $V_{OUT} = V_{REF}$ $10\text{ Hz} \leq f \leq 10\text{ kHz}$	20				μV_{rms}
ΔV_{REF}	Reference Voltage Long Term Stability (Note 9)	$t = 1000\text{ hrs}$, $I_R = 100\ \mu\text{A}$ $T = 25^\circ\text{C} \pm 0.1^\circ\text{C}$	120				ppm
V_{HYST}	Output Hysteresis (Note 10)	$\Delta T = -40^\circ\text{C}$ to $+125^\circ\text{C}$	0.3				mV/V

Electrical Characteristics (continued)

Note 1: Absolute Maximum Ratings indicate limits beyond which damage to the device may occur. Operating Ratings indicate conditions for which the device is functional, but do not guarantee specific performance limits. For guaranteed specifications and test conditions, see the Electrical Characteristics. The guaranteed specifications apply only for the test conditions listed. Some performance characteristics may degrade when the device is not operated under the listed test conditions.

Note 2: The maximum power dissipation must be derated at elevated temperatures and is dictated by T_{Jmax} (maximum junction temperature), θ_{JA} (junction to ambient thermal resistance), and T_A (ambient temperature). The maximum allowable power dissipation at any temperature is $PD_{max} = (T_{Jmax} - T_A)/\theta_{JA}$ or the number given in the Absolute Maximum Ratings, whichever is lower. For the LM4051, $T_{Jmax} = 125^\circ\text{C}$, and the typical thermal resistance (θ_{JA}), when board mounted, is $280^\circ\text{C}/\text{W}$ for the SSOT-23 package.

Note 3: The human body model is a 100 pF capacitor discharged through a 1.5 k Ω resistor into each pin. The machine model is a 200 pF capacitor discharged directly into each pin.

Note 4: Typical values are at $T_J = 25^\circ\text{C}$ and represent most likely parametric norm.

Note 5: Limits are 100% production tested at 25°C . Limits over temperature are guaranteed through correlation using Statistical Quality Control (SQC) methods. The limits are used to calculate National's AOQL.

Note 6: The boldface (over-temperature) limit for Reverse Breakdown Voltage Tolerance is defined as the room temperature Reverse Breakdown Voltage Tolerance $\pm[(\Delta V_R/\Delta T)(\max \Delta T)(V_R)]$. Where, $\Delta V_R/\Delta T$ is the V_R temperature coefficient, $\max \Delta T$ is the maximum difference in temperature from the reference point of 25°C to T_{MAX} or T_{MIN} , and V_R is the reverse breakdown voltage. The total over-temperature tolerance for the different grades in the industrial temperature range where $\max \Delta T = 65^\circ\text{C}$ is shown below:

$$\text{A-grade: } \pm 0.425\% = \pm 0.1\% \pm 50 \text{ ppm}/^\circ\text{C} \times 65^\circ\text{C}$$

$$\text{B-grade: } \pm 0.522\% = \pm 0.2\% \pm 50 \text{ ppm}/^\circ\text{C} \times 65^\circ\text{C}$$

$$\text{C-grade: } \pm 0.825\% = \pm 0.5\% \pm 50 \text{ ppm}/^\circ\text{C} \times 65^\circ\text{C}$$

Therefore, as an example, the A-grade LM4051-1.2 has an over-temperature Reverse Breakdown Voltage tolerance of $\pm 1.2\text{V} \times 0.425\% = \pm 5.2 \text{ mV}$.

Note 7: When $V_{OUT} \leq 1.6\text{V}$, the LM4051-ADJ in the SSOT-23 package must operate at reduced I_R . This is caused by the series resistance of the die attach between the die (-) output and the package (-) output pin. See the Output Saturation curve in the Typical Performance Characteristics section.

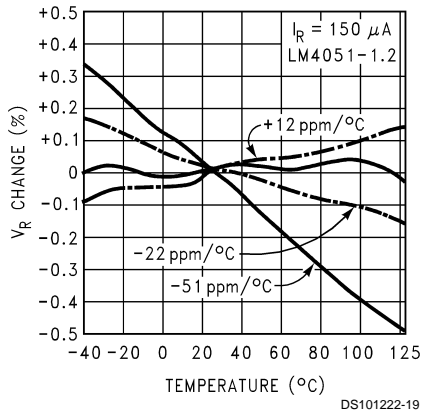
Note 8: Reference voltage and temperature coefficient will change with output voltage. See Typical Performance Characteristics curves.

Note 9: Long term stability is V_R @ 25°C measured during 1000 hrs.

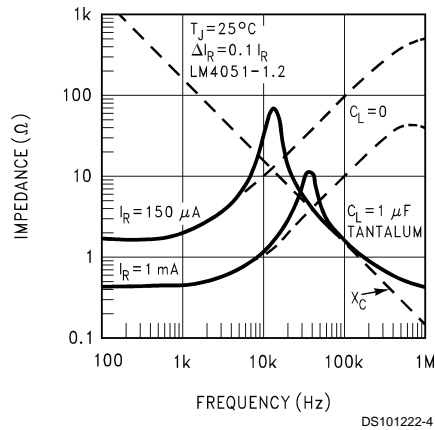
Note 10: Thermal hysteresis is defined as the changes in 25°C output voltage before and after cycling the device from -40°C or $+125^\circ\text{C}$.

Typical Performance Characteristics

Temperature Drift for Different Average Temperature Coefficient

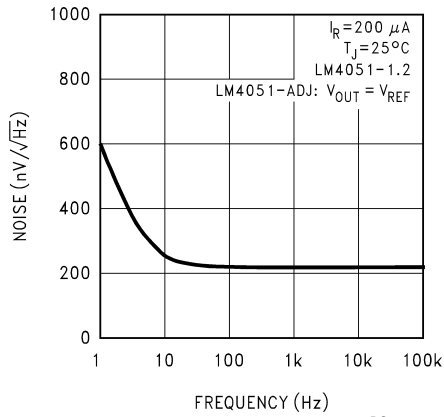


Output Impedance vs Frequency

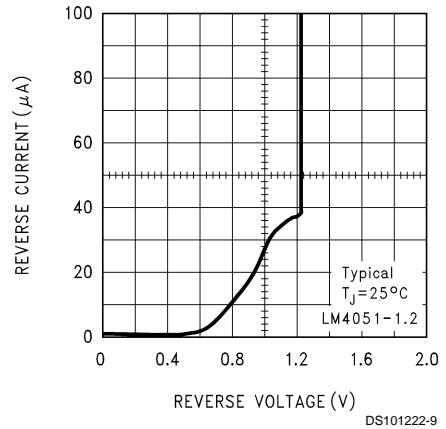


Typical Performance Characteristics (Continued)

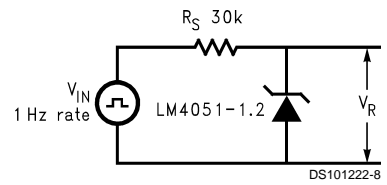
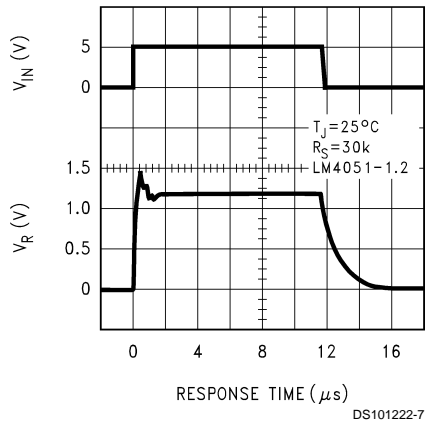
Noise Voltage



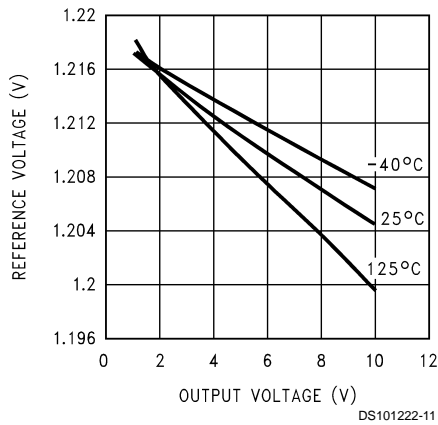
Reverse Characteristics and Minimum Operating Current



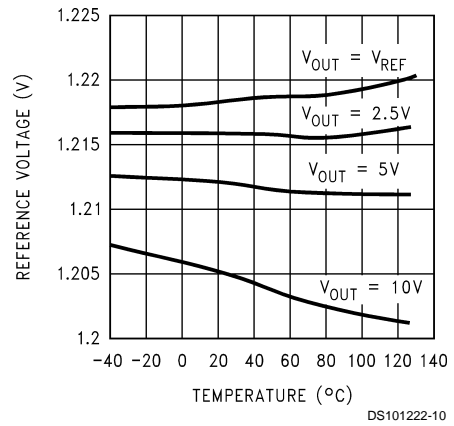
Start-Up Characteristics



Reference Voltage vs Output Voltage and Temperature

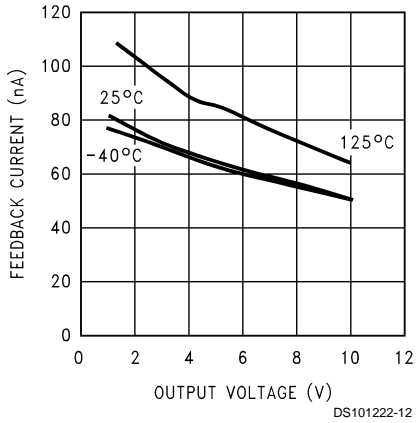


Reference Voltage vs Temperature and Output Voltage

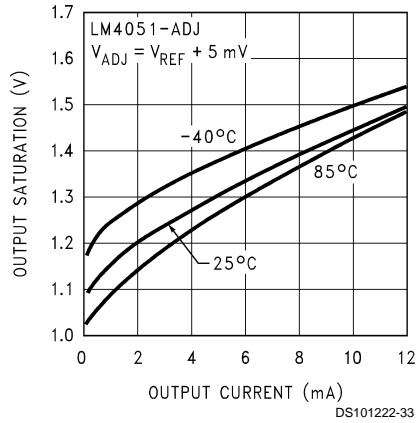


Typical Performance Characteristics (Continued)

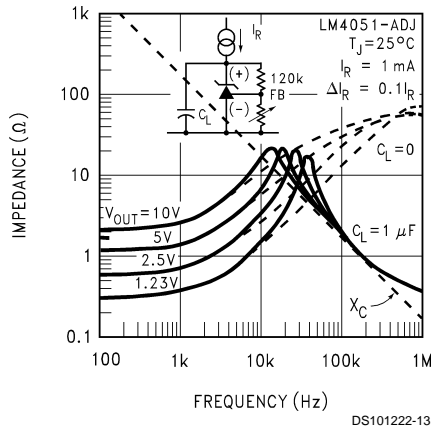
Feedback Current vs Output Voltage and Temperature



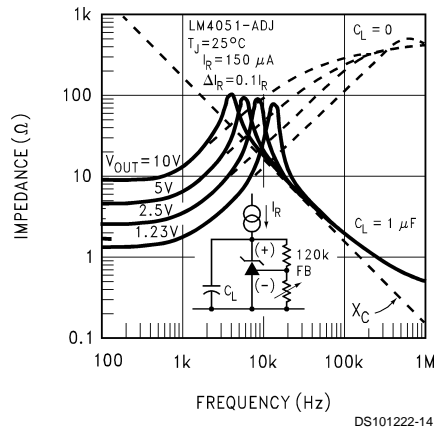
Output Saturation (SOT-23 Only)



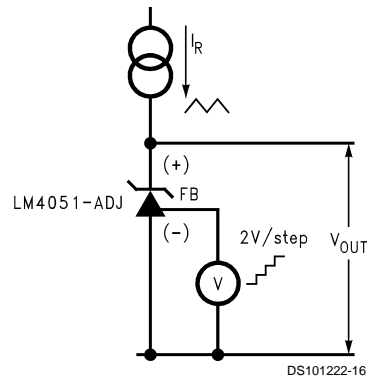
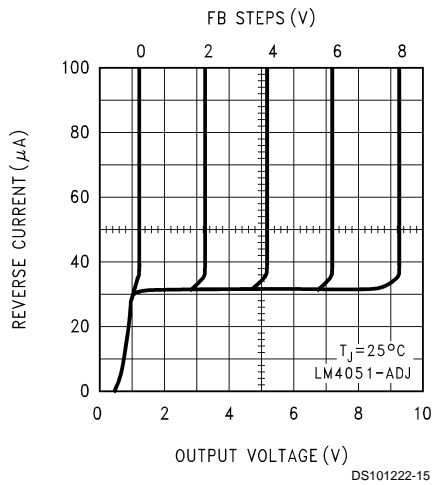
Output Impedance vs Frequency



Output Impedance vs Frequency

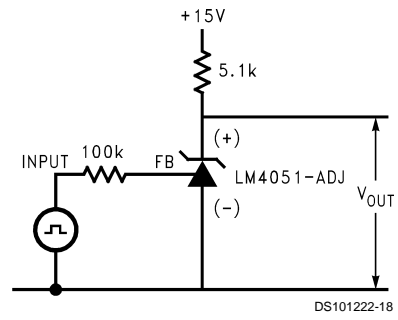
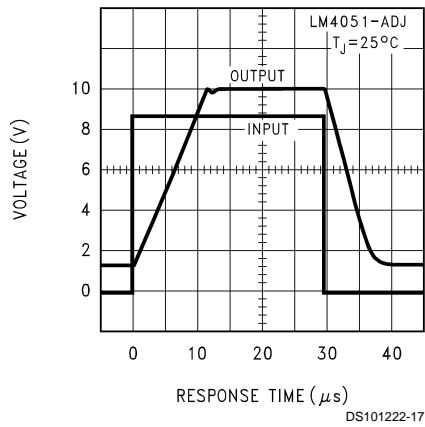


Reverse Characteristics

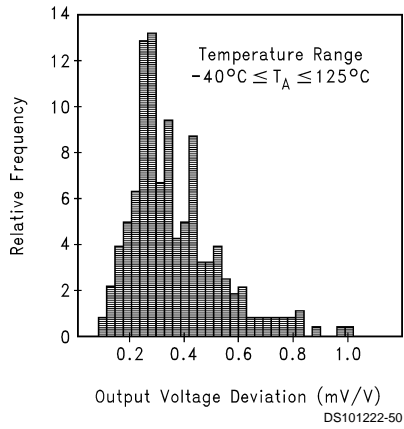


Typical Performance Characteristics (Continued)

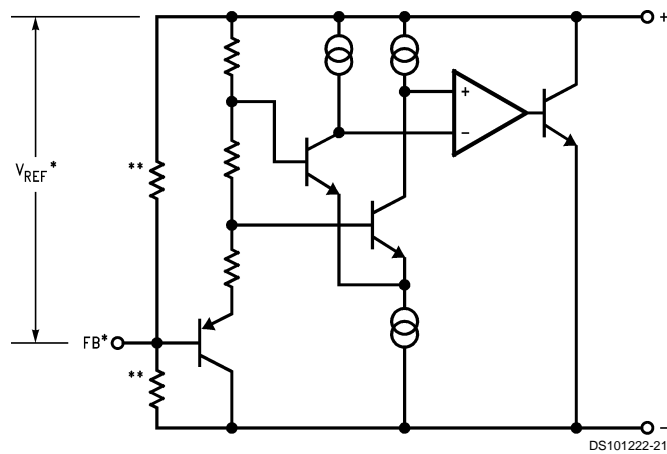
Large Signal Response



Thermal Hysteresis



Functional Block Diagram



*LM4051-ADJ only
 **LM4051-1.2 only

Applications Information

The LM4051 is a precision micro-power curvature-corrected bandgap shunt voltage reference. For space critical applications, the LM4051 is available in the sub-miniature SSOT-23 surface-mount package. The LM4051 has been designed for stable operation without the need of an external capacitor connected between the “+” pin and the “-” pin. If, however, a bypass capacitor is used, the LM4051 remains stable. Design effort is further reduced with the choice of either a fixed 1.2V or an adjustable reverse breakdown voltage. The minimum operating current is 60 μ A for the LM4051-1.2 and the LM4051-ADJ. Both versions have a maximum operating current of 12 mA.

LM4051s using the SSOT-23 package have pin 3 connected as the (-) output through the package’s die attach interface. Therefore, the LM4051-1.2’s pin 3 must be left floating or connected to pin 2 and the LM4051-ADJ’s pin 3 is the (-) output.

In a conventional shunt regulator application (*Figure 1*), an external series resistor (R_S) is connected between the supply voltage and the LM4051. R_S determines the current that flows through the load (I_L) and the LM4051 (I_Q). Since load current and supply voltage may vary, R_S should be small enough to supply at least the minimum acceptable I_Q to the LM4051 even when the supply voltage is at its minimum and the load current is at its maximum value. When the supply voltage is at its maximum and I_L is at its minimum, R_S should be large enough so that the current flowing through the LM4051 is less than 12 mA.

R_S should be selected based on the supply voltage, (V_S), the desired load and operating current, (I_L and I_Q), and the LM4051’s reverse breakdown voltage, V_R .

$$R_S = \frac{V_S - V_R}{I_L + I_Q}$$

The LM4051-ADJ’s output voltage can be adjusted to any value in the range of 1.24V through 10V. It is a function of the internal reference voltage (V_{REF}) and the ratio of the external feedback resistors as shown in *Figure 2*. The output voltage is found using the equation

$$V_O = V_{REF}[(R_2/R_1) + 1] \quad (1)$$

$$R_S = \frac{V_S - V_R}{I_L + I_Q + I_F} \quad (2)$$

where V_O is the output voltage. The actual value of the internal V_{REF} is a function of V_O . The “corrected” V_{REF} is determined by

$$V_{REF} = V_O (\Delta V_{REF}/\Delta V_O) + V_Y \quad (3)$$

where

$$V_Y = 1.22V$$

$\Delta V_{REF}/\Delta V_O$ is found in the Electrical Characteristics and is typically -1.55 mV/V. You can get a more accurate indication of the output voltage by replacing the value of V_{REF} in equation (1) with the value found using equation (3).

Typical Applications

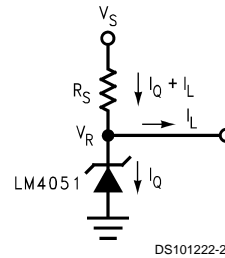


FIGURE 1. Shunt Regulator

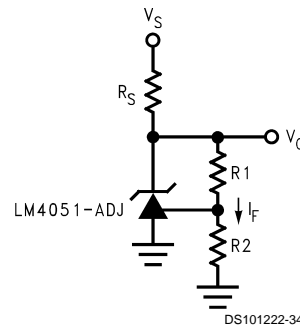
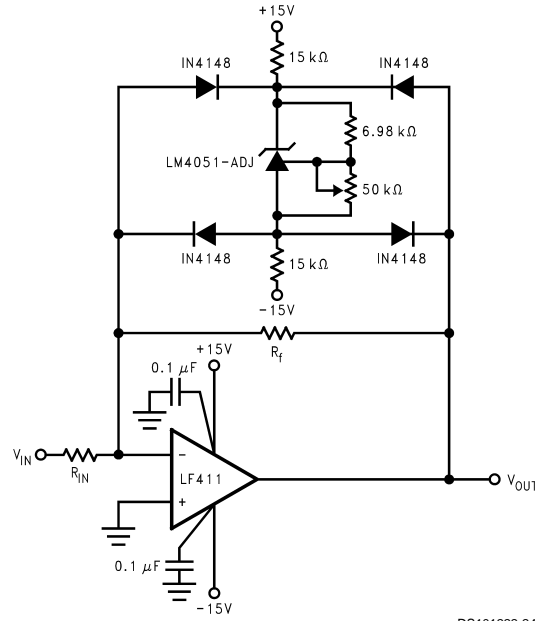


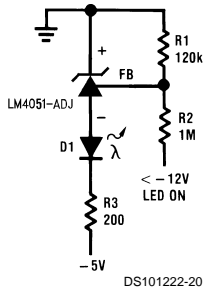
FIGURE 2. Adjustable Shunt Regulator

Typical Applications (Continued)



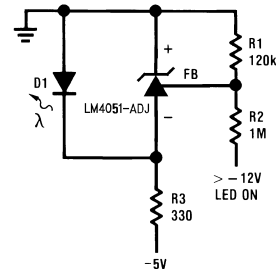
DS101222-24

FIGURE 3. Bounded amplifier reduces saturation-induced delays and can prevent succeeding stage damage. Nominal clamping voltage is $\pm V_O$ (LM4051's reverse breakdown voltage) + 2 diode V_F .



DS101222-20

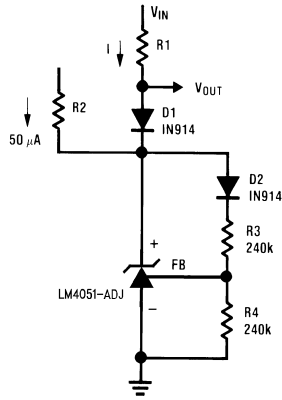
FIGURE 4. Voltage Level Detector



DS101222-23

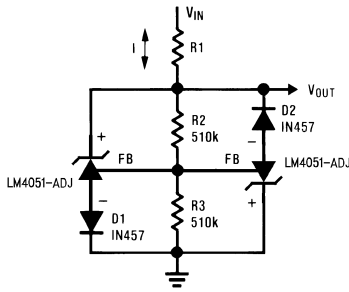
FIGURE 5. Voltage Level Detector

Typical Applications (Continued)



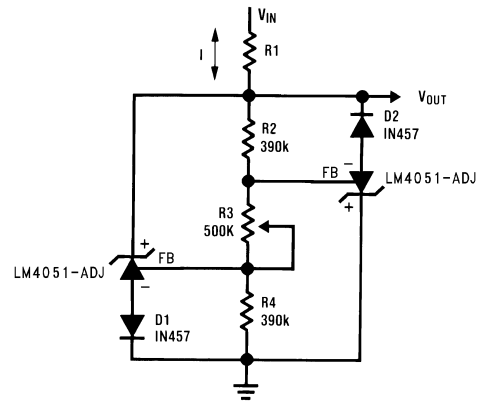
DS101222-25

FIGURE 6. Fast Positive Clamp
2.4V + V_{D1}



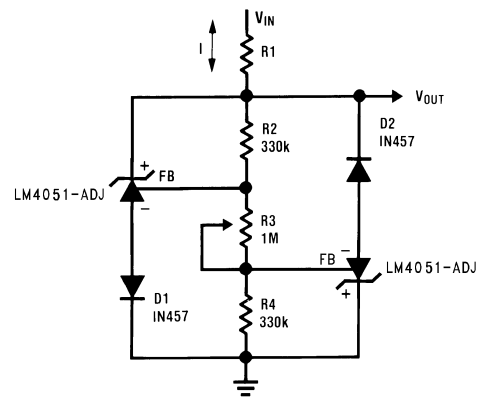
DS101222-26

FIGURE 7. Bidirectional Clamp ±2.4V



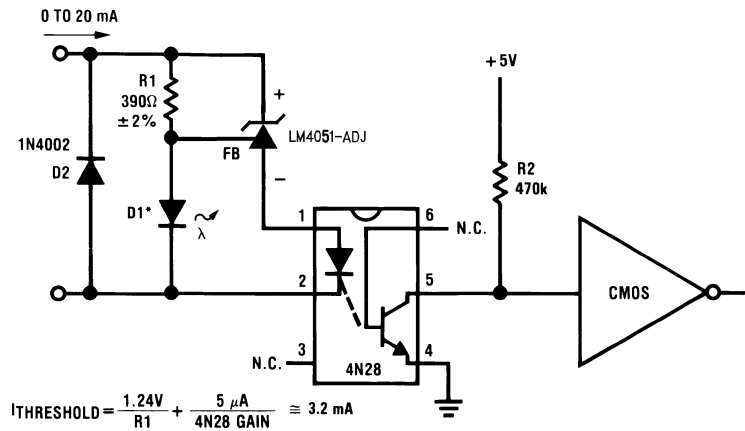
DS101222-35

FIGURE 8. Bidirectional Adjustable
Clamp ±18V to ±2.4V



DS101222-36

FIGURE 9. Bidirectional Adjustable
Clamp ±2.4V to ±6V



DS101222-37

FIGURE 10. Simple Floating Current Detector

$$I_{\text{THRESHOLD}} = \frac{1.24\text{V}}{R_1} + \frac{5\ \mu\text{A}}{4\text{N}28\ \text{GAIN}} \cong 3.2\ \text{mA}$$

Typical Applications (Continued)

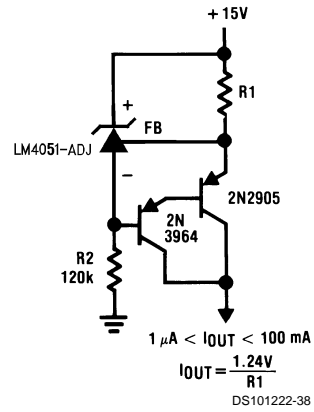


FIGURE 11. Current Source

Note 11: *D1 can be any LED, $V_F = 1.5\text{V}$ to 2.2V at 3 mA . D1 may act as an indicator. D1 will be on if $I_{\text{THRESHOLD}}$ falls below the threshold current, except with $I = 0$.

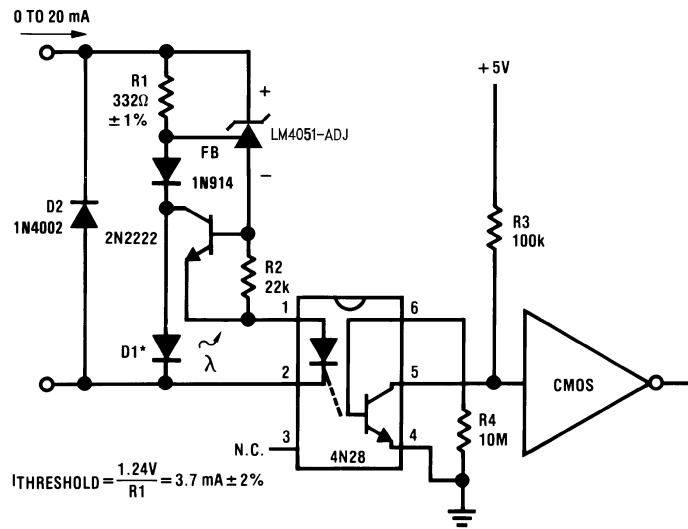
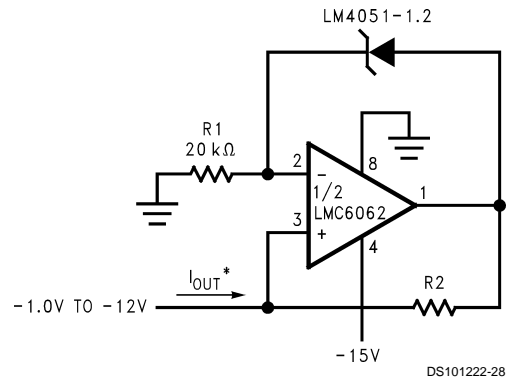


FIGURE 12. Precision Floating Current Detector

Typical Applications (Continued)



$$*I_{OUT} = \frac{1.2V}{R2}$$

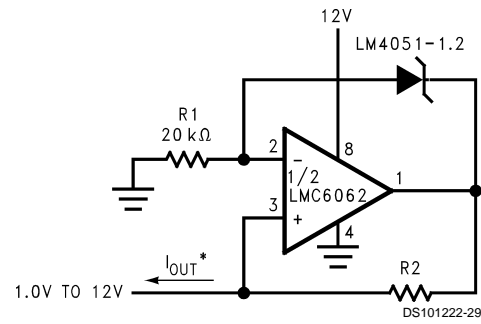
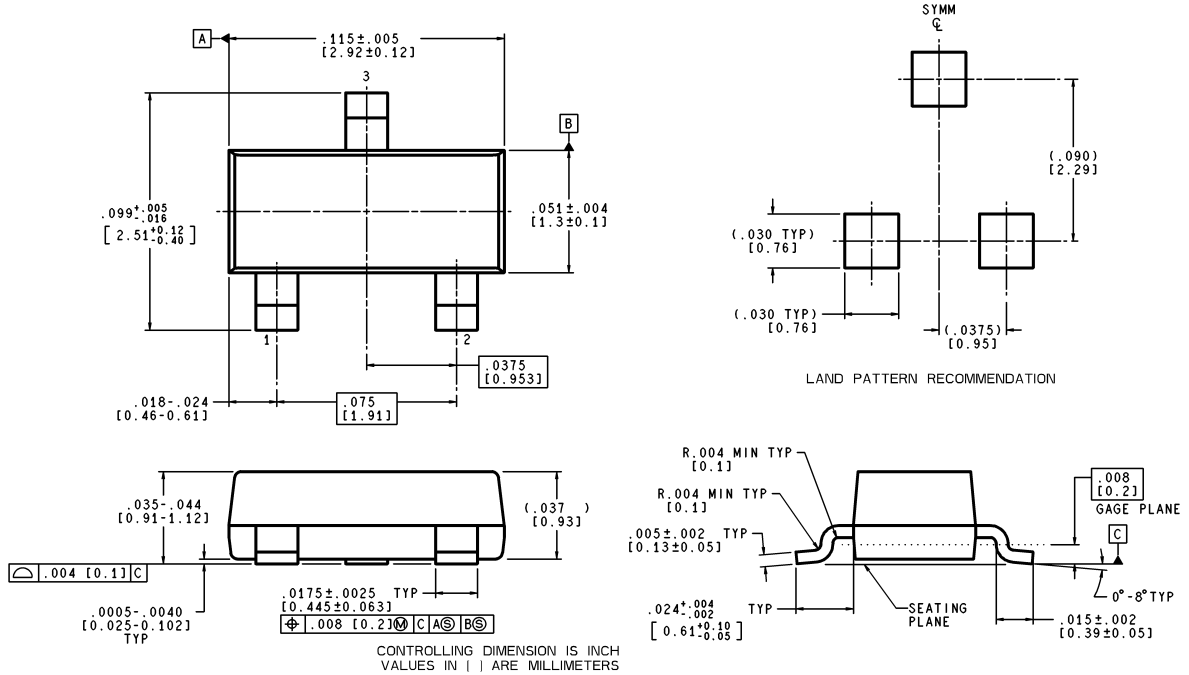


FIGURE 13. Precision 1 μ A to 1 mA Current Sources

Physical Dimensions inches (millimeters) unless otherwise noted



MF03A (Rev A)

**Plastic Surface Mount Package (M3)
NS Package Number MF03A
(JEDEC Registration TO-236AB)**

LIFE SUPPORT POLICY

NATIONAL'S PRODUCTS ARE NOT AUTHORIZED FOR USE AS CRITICAL COMPONENTS IN LIFE SUPPORT DEVICES OR SYSTEMS WITHOUT THE EXPRESS WRITTEN APPROVAL OF THE PRESIDENT AND GENERAL COUNSEL OF NATIONAL SEMICONDUCTOR CORPORATION. As used herein:

1. Life support devices or systems are devices or systems which, (a) are intended for surgical implant into the body, or (b) support or sustain life, and whose failure to perform when properly used in accordance with instructions for use provided in the labeling, can be reasonably expected to result in a significant injury to the user.
2. A critical component is any component of a life support device or system whose failure to perform can be reasonably expected to cause the failure of the life support device or system, or to affect its safety or effectiveness.

 **National Semiconductor Corporation**
Americas
Tel: 1-800-272-9959
Fax: 1-800-737-7018
Email: support@nsc.com
www.national.com

National Semiconductor Europe
Fax: +49 (0) 180-530 85 86
Email: europe.support@nsc.com
Deutsch Tel: +49 (0) 69 9508 6208
English Tel: +44 (0) 870 24 0 2171
Français Tel: +33 (0) 1 41 91 8790

National Semiconductor Asia Pacific Customer Response Group
Tel: 65-2544466
Fax: 65-2504466
Email: ap.support@nsc.com

National Semiconductor Japan Ltd.
Tel: 81-3-5639-7560
Fax: 81-3-5639-7507