

LM4734

3 Channel 20W Audio Power Amplifier with Mute and Standby

General Description

The LM4734 is a three channel audio amplifier capable of typically delivering 20W per channel of continuous average output power into a 4Ω or 8Ω load with less than 10% THD+N from 20Hz - 20kHz.

The LM4734 has short circuit protection and a thermal shut down feature that is activated when the die temperature exceeds 150°C. The LM4734 also has an under voltage lock out feature for click and pop free power on and off.

Each amplifier of the LM4734 has an independent smooth transition fade-in/out mute and a power conserving standby mode. The mute and standby modes can be controlled by external logic.

The LM4734 has a wide supply operating supply range from ±10V - ±30V allowing for lower cost unregulated power supplies to be used.

The LM4734 can easily be configured for bridge or parallel operation for higher power and bi-amp solutions.

Key Specifications

■ Output Power/Channel with 10% THD+N, 1kHz into 4Ω or 8Ω	20W (typ)
■ THD+N at 3x1W into 8Ω, 1kHz	0.03% (typ)
■ Mute Attenuation	110dB (typ)
■ PSRR	64dB (typ)
■ Slew Rate	18V/μs (typ)

Features

- Low external component count
- Quiet fade-in/out mute mode
- Low power standby mode
- Wide supply range: 20V - 60V

Applications

- Audio amplifier for component stereo
- Audio amplifier for compact stereo
- Audio amplifier for home theater in a box (HTB)
- Audio amplifier for high-end and HD TVs

Typical Application

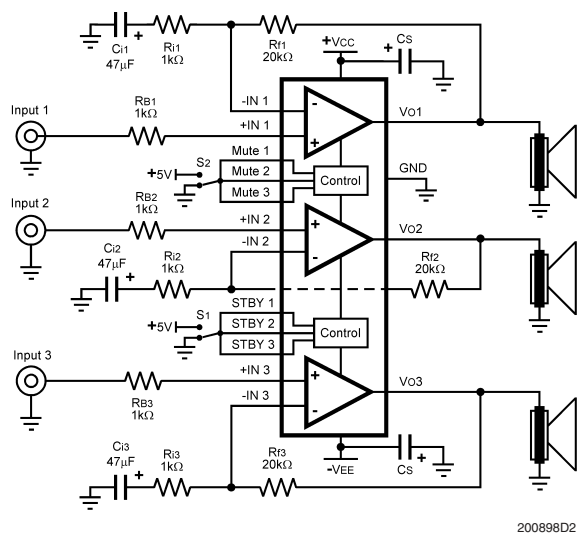
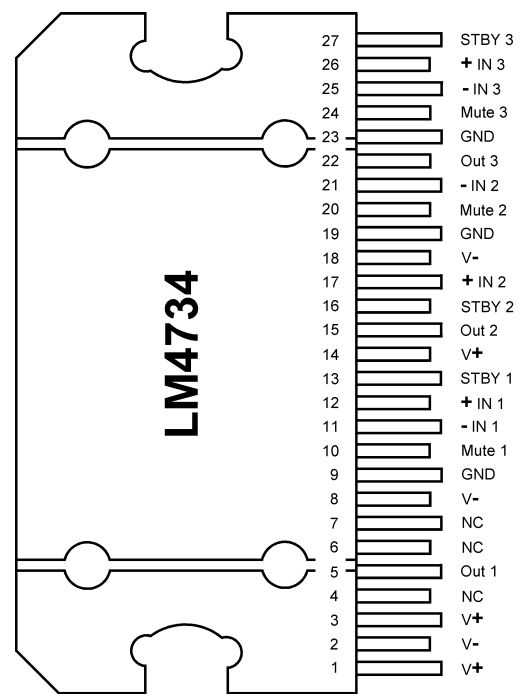


FIGURE 1. Typical Audio Amplifier Application Circuit

Connection Diagrams

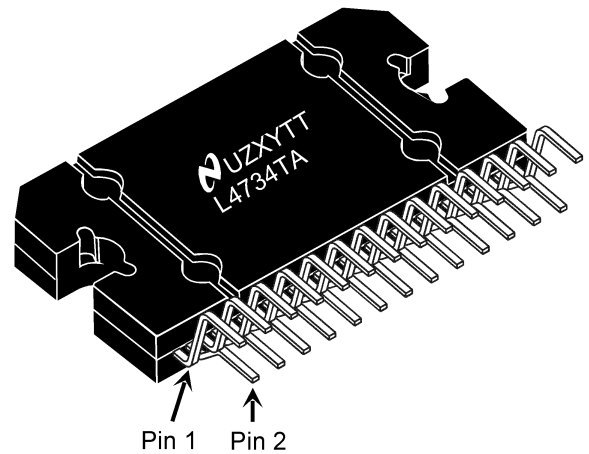
Plastic Package (Note 13)



20089814

Top View
Order Number LM4734TA
See NS Package Number TA27A

TO-220 Top Marking



20089815

Top View
U - Wafer Fab Code
Z - Assembly Plant Code
XY - Date Code
TT - Die Run Traceability
L4734TA - LM4734TA

Absolute Maximum Ratings (Notes 1,

2)

If Military/Aerospace specified devices are required, please contact the National Semiconductor Sales Office/Distributors for availability and specifications.

Supply Voltage $ V^+ + V^- $	60V
Common Mode Input Voltage (V^+ or V^-) and $ V^+ + V^- \leq 54V$	
Differential Input Voltage (Note 12)	54V
Output Current	Internally Limited
Power Dissipation (Note 3)	125W
ESD Susceptibility (Note 4)	2.0kV
ESD Susceptibility (Note 5)	200V
Junction Temperature (T_{JMAX}) (Note 9)	150°C

Soldering Information

TA Package (10 seconds)	260°C
Storage Temperature	-40°C to +150°C
Thermal Resistance	
θ_{JA}	30°C/W
θ_{JC}	1.0°C/W

Operating Ratings (Notes 1, 2)

Temperature Range	
$T_{MIN} \leq T_A \leq T_{MAX}$	-20°C \leq T_A \leq +85°C
Supply Voltage $ V^+ + V^- $	20V \leq $V_{TOTAL} \leq$ 60V

Electrical Characteristics (Notes 1, 2)

The following specifications apply for $V^+ = +21V$, $V^- = -21V$, and $R_L = 8\Omega$ unless otherwise specified. Limits apply for $T_A = 25^\circ C$.

Symbol	Parameter	Conditions	LM4734		Units (Limits)
			Typical (Note 6)	Limit (Notes 7, 8)	
$ V^+ + V^- $	Power Supply Voltage (Note 10)	$GND - V^- \geq 9.5V$	18	20 60	V (min) V (max)
A_M	Mute Attenuation	$V_{MUTE} = 2.5V$	110		dB
P_O	Output Power (RMS)	THD+N = 10% (max), $f = 1kHz$ $ V^+ = V^- = 17V$, $R_L = 4\Omega$ $ V^+ = V^- = 21V$, $R_L = 8\Omega$	20 20	15 15	W (min) W (min)
		THD+N = 1% (max), $f = 1kHz$ $ V^+ = V^- = 17V$, $R_L = 4\Omega$ $ V^+ = V^- = 21V$, $R_L = 8\Omega$	17 18		W W
THD+N	Total Harmonic Distortion + Noise	$P_O = 1W$, $f = 1kHz$ $A_V = 26dB$ $ V^+ = V^- = 17V$, $R_L = 4\Omega$ $ V^+ = V^- = 21V$, $R_L = 8\Omega$	0.05 0.03		% %
X_{talk}	Channel Separation (Note 11)	$P_O = 10W$, $f = 1kHz$	65		dB
		$P_O = 10W$, $f = 10kHz$	55		dB
SR	Slew Rate	$V_{IN} = 1.414V_{RMS}$, $t_{rise} = 2ns$	18		V/ μs
I_{DD}	Total Quiescent Power Supply Current	$V_{CM} = 0V$, $V_O = 0V$, $I_O = 0A$ $V_{STANDBY} = GND$, Standby = Off	75 8	120 10	mA (max) mA (max)
		$V_{STANDBY} = 5V$, Standby = On			
V_{OS}	Input Offset Voltage	$V_{CM} = 0V$, $I_O = 0mA$	2.0	15	mV (max)
I_B	Input Bias Current	$V_{CM} = 0V$, $I_O = 0mA$	0.2		μA
PSRR	Power Supply Rejection Ratio	$V^+ = 21V + V_{RIPPLE}$ ($1V_{RMS}$), $f_{RIPPLE} = 120Hz$ Sine, $V^- = -21V_{DC}$	75		dB
		$V^- = -21V + V_{RIPPLE}$ ($1V_{RMS}$), $f_{RIPPLE} = 120Hz$ Sine, $V^+ = 21V_{DC}$	64		dB
A_{VOL}	Open Loop Voltage Gain	$ V^+ = V^- = 21V$, $R_L = 2k\Omega$ $\Delta V_O = 15V$	110		dB
e_{IN}	Input Noise	IHF-A-Weighting Filter, $R_{IN} = 600\Omega$ (Input Referred)	2.0		μV

Electrical Characteristics (Notes 1, 2) (Continued)

The following specifications apply for $V^+ = +21V$, $V^- = -21V$, and $R_L = 8\Omega$ unless otherwise specified. Limits apply for $T_A = 25^\circ C$.

Symbol	Parameter	Conditions	LM4734		Units (Limits)
			Typical (Note 6)	Limit (Notes 7, 8)	
Standby V_{IL} V_{IH}	Standby Low Input Voltage Standby High Input Voltage	Play Mode Standby Mode	2.0	0.8 2.5	V (max) V (min)
Mute V_{IL} V_{IH}	Mute Low Input Voltage Mute High Input Voltage	Play Mode Mute Mode	2.0	0.8 2.5	V (max) V (min)

Note 1: All voltages are measured with respect to the ground pins, unless otherwise specified.

Note 2: Absolute Maximum Ratings indicate limits beyond which damage to the device may occur. Operating Ratings indicate conditions for which the device is functional, but do not guarantee specific performance limits. Electrical Characteristics state DC and AC electrical specifications under particular test conditions which guarantee specific performance limits. This assumes that the device is within the Operating Ratings. Specifications are not guaranteed for parameters where no limit is given; however, the typical value is a good indication of device performance.

Note 3: The maximum power dissipation must be de-rated at elevated temperatures and is dictated by T_{JMAX} , θ_{JC} , and the ambient temperature T_A . The maximum allowable power dissipation is $P_{DMAX} = (T_{JMAX} - T_A)/\theta_{JC}$ or the number given in the Absolute Maximum Ratings, whichever is lower. For the LM4734, $T_{JMAX} = 150^\circ C$ and the typical θ_{JC} is $1.0^\circ C/W$. Refer to the **DETERMINING THE CORRECT HEAT SINK** section for more information.

Note 4: Human body model, 100pF discharged through a 1.5k Ω resistor.

Note 5: Machine Model: a 220pF - 240pF discharged through all pins.

Note 6: Typical specifications are measured at $25^\circ C$ and represent the parametric norm.

Note 7: Tested limits are guaranteed to National's AOQL (Average Outgoing Quality Level).

Note 8: Datasheet min/max specification limits are guaranteed by design, test, or statistical analysis.

Note 9: The maximum operating junction temperature is $150^\circ C$. However, the instantaneous Safe Operating Area temperature is $250^\circ C$.

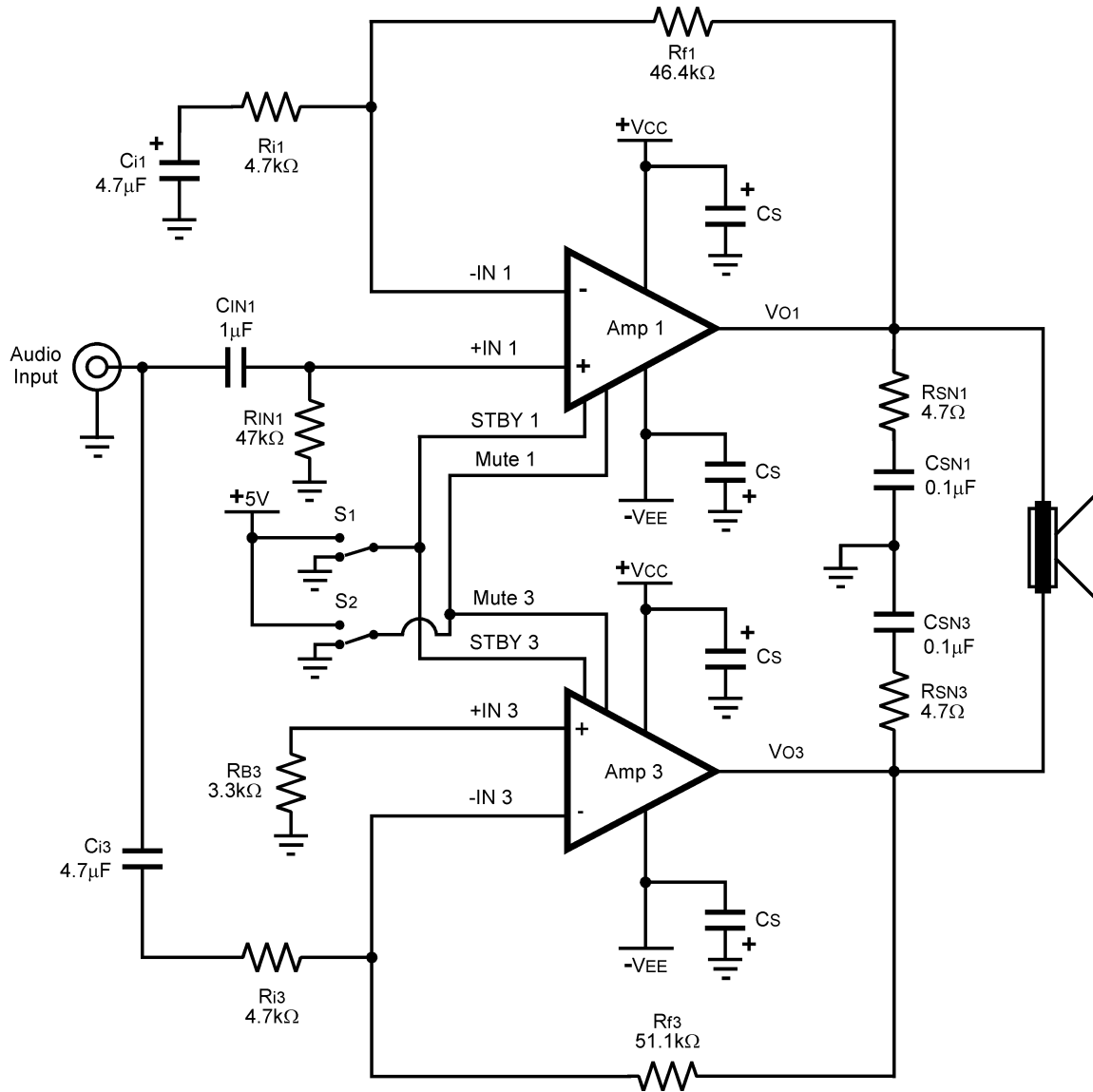
Note 10: V^- must have at least - 9.5V at its pin with reference to GND in order for the under-voltage protection circuitry to be disabled. In addition, the voltage differential between V^+ and V^- must be greater than 14V.

Note 11: Cross talk performance was measured using the demo board shown in the datasheet. PCB layout will affect cross talk. It is recommended that the input and output traces be separated by as much distance as possible. Return ground traces from outputs should also be independent back to single ground point and use as wide of traces as possible.

Note 12: The Differential Input Voltage Absolute Maximum Rating is based on supply voltages $V^+ = 27V$ and $V^- = - 27V$.

Note 13: The TA27A is a non-isolated package. The package's metal back and any heat sink to which it is mounted are connected to the V^- potential when using only thermal compound. If a mica washer is used in addition to thermal compound, θ_{CS} (case to sink) is increased, but the heat sink will be electrically isolated from V^- .

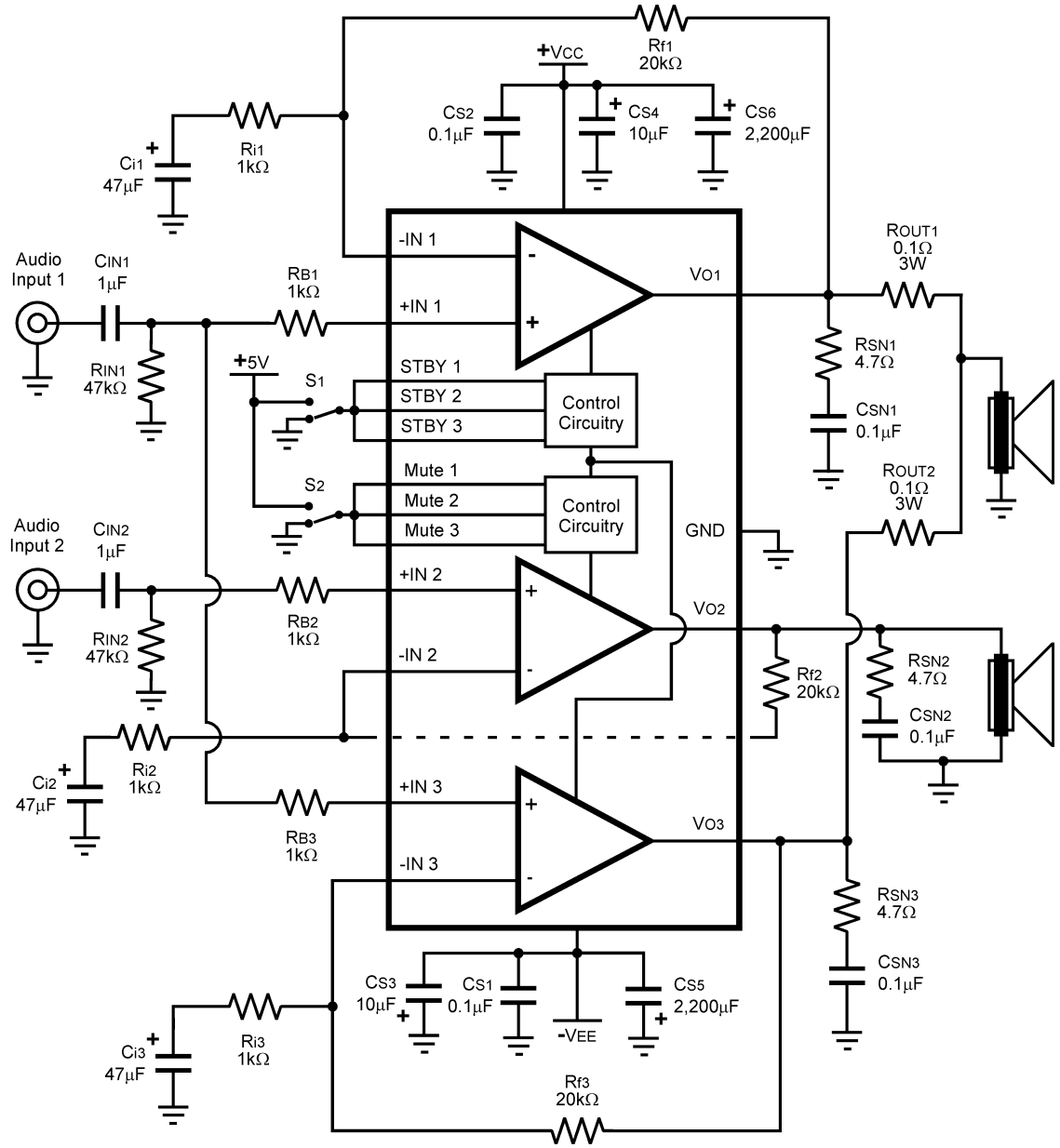
Bridged Amplifier Application Circuit



200898D3

FIGURE 2. Bridged Amplifier Application Circuit

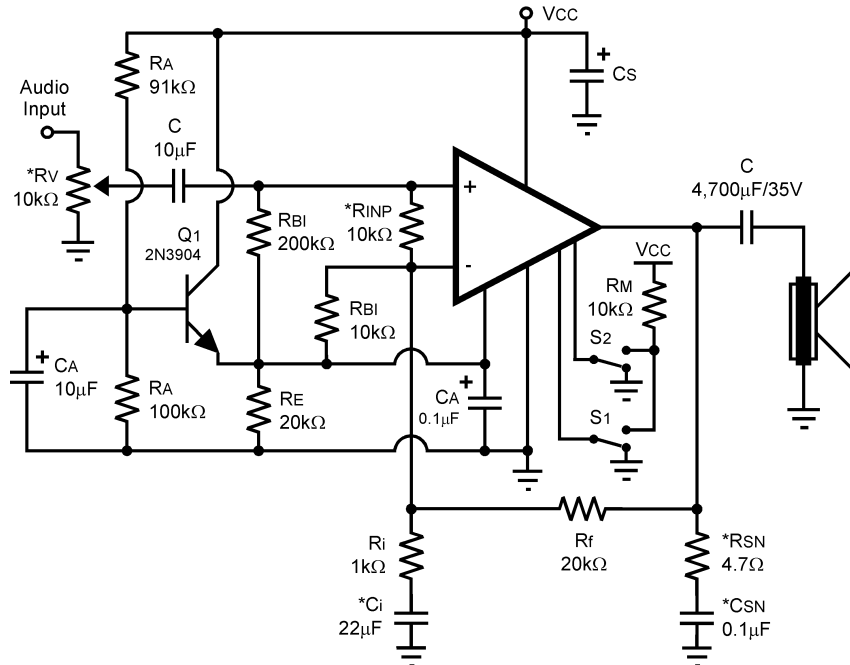
Parallel Amplifier Application Circuit



200898D4

FIGURE 3. Parallel Amplifier Application Circuit

Single Supply Application Circuit

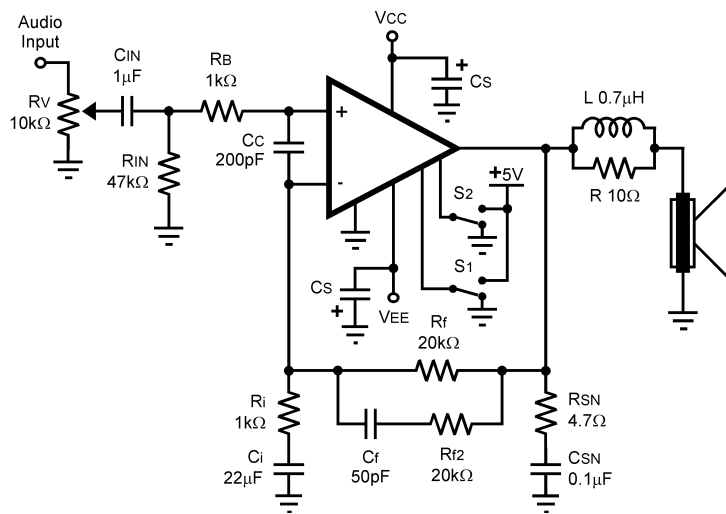


200898D5

FIGURE 4. Single Supply Amplifier Application Circuit

Note: *Optional components dependent upon specific design requirements.

Auxiliary Amplifier Application Circuit



200898D6

FIGURE 5. Special Audio Amplifier Application Circuit

External Components Description

(Figures 1-5)

Components		Functional Description
1	R _B	Prevents current from entering the amplifier's non-inverting input. This current may pass through to the load during system power down, because of the amplifier's low input impedance when the undervoltage circuitry is off. This phenomenon occurs when the V ⁺ and V ⁻ supply voltages are below 1.5V.
2	R _i	Inverting input resistance. Along with R _f , sets AC gain.
3	R _f	Feedback resistance. Along with R _i , sets AC gain.
4	R _{f2} (Note 14)	Feedback resistance. Works with C _f and R _f creating a lowpass filter that lowers AC gain at high frequencies. The -3dB point of the pole occurs when: $(R_f - R_i)/2 = R_f // [1/(2\pi f_c C_f) + R_{f2}]$ for the Non-Inverting configuration shown in <i>Figure 5</i> .
5	C _f (Note 14)	Compensation capacitor. Works with R _f and R _{f2} to reduce AC gain at higher frequencies.
6	C _C (Note 14)	Compensation capacitor. Reduces the gain at higher frequencies to avoid quasi-saturation oscillations of the output transistor. Also suppresses external electromagnetic switching noise created from fluorescent lamps.
7	C _i (Note 14)	Feedback capacitor which ensures unity gain at DC. Along with R _i also creates a highpass filter at $f_c = 1/(2\pi R_i C_i)$.
8	C _S	Provides power supply filtering and bypassing. Refer to the Supply Bypassing application section for proper placement and selection of bypass capacitors.
9	R _V (Note 14)	Acts as a volume control by setting the input voltage level.
10	R _{IN} (Note 14)	Sets the amplifier's input terminals DC bias point when C _{IN} is present in the circuit. Also works with C _{IN} to create a highpass filter at $f_c = 1/(2\pi R_{IN} C_{IN})$. If the value of R _{IN} is too large, oscillations may be observed on the outputs when the inputs are floating. Recommended values are 10kΩ to 47kΩ. Refer to <i>Figure 5</i> .
11	C _{IN} (Note 14)	Input capacitor. Prevents the input signal's DC offsets from being passed onto the amplifier's inputs.
12	R _{SN} (Note 14)	Works with C _{SN} to stabilize the output stage by creating a pole that reduces high frequency instabilities.
13	C _{SN} (Note 14)	Works with R _{SN} to stabilize the output stage by creating a pole that reduces high frequency instabilities. The pole is set at $f_c = 1/(2\pi R_{SN} C_{SN})$. Refer to <i>Figure 5</i> .
14	L (Note 14)	Provides high impedance at high frequencies so that R may decouple a highly capacitive load and reduce the Q of the series resonant circuit. Also provides a low impedance at low frequencies to short out R and pass audio signals to the load. Refer to <i>Figure 5</i> .
15	R (Note 14)	
16	R _A	Provides DC voltage biasing for the transistor Q1 in single supply operation.
17	C _A	Provides bias filtering for single supply operation.
18	R _{INP} (Note 14)	Limits the voltage difference between the amplifier's inputs for single supply operation. Refer to the Clicks and Pops application section for a more detailed explanation of the function of R _{INP} .
19	R _{BI}	Provides input bias current for single supply operation. Refer to the Clicks and Pops application section for a more detailed explanation of the function of R _{BI} .
20	R _E	Establishes a fixed DC current for the transistor Q1 in single supply operation. This resistor stabilizes the half-supply point along with C _A .
21	R _M	Limits the current drawn into the logic gates for the MUTE and STANDBY pins.
22	S ₁	Standby switch. When switched to GND, the amplifier will be in PLAY mode.
23	S ₂	Mute switch. When switched to GND, the amplifier will be in PLAY mode.
24	R _{OUT}	Reduces current flow between outputs that are caused by Gain or DC offset differences between the amplifiers.

Note 14: Optional components dependent upon specific design requirements.

Optional External Component Interaction

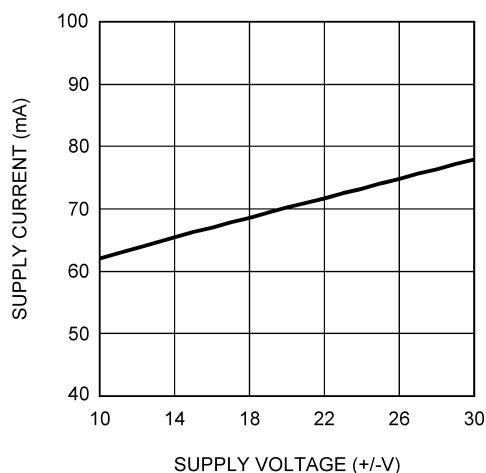
Although the optional external components have specific desired functions that are designed to reduce the bandwidth and eliminate unwanted high frequency oscillations they may cause certain undesirable effects when they interact. Interaction may occur for components whose reactances are in close proximity to one another. One example would be the

coupling capacitor, C_C , and the compensation capacitor, C_f . These two components act as low impedances to certain frequencies which will couple signals from the input to the output. Please take careful note of basic amplifier component functionality when designing in these components.

The optional external components shown in *Figure 4* and *Figure 5* and described above are applicable in both single and split voltage supply configurations.

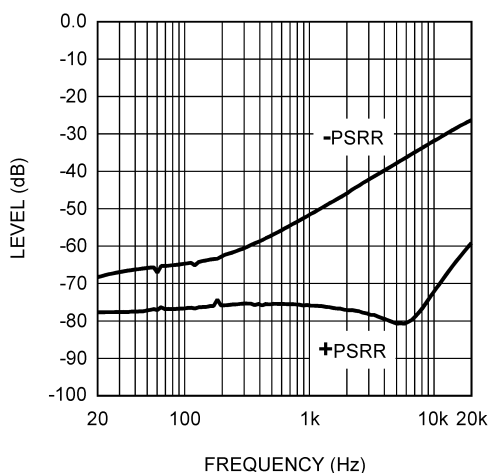
Typical Performance Characteristics

Supply Current vs Supply Voltage



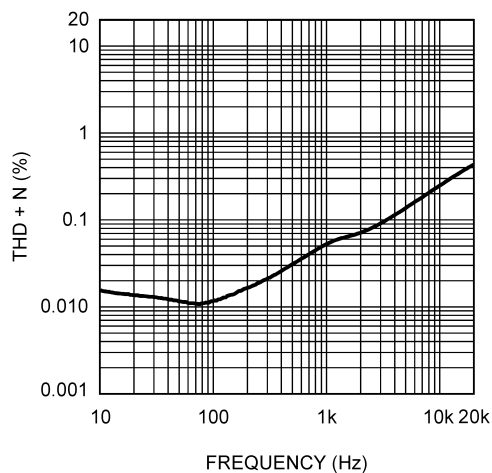
200898J8

PSRR vs Frequency
 $\pm 21V$, $V_{RIPPLE} = 1V_{RMS}$
 $R_L = 8\Omega$, 80kHz BW



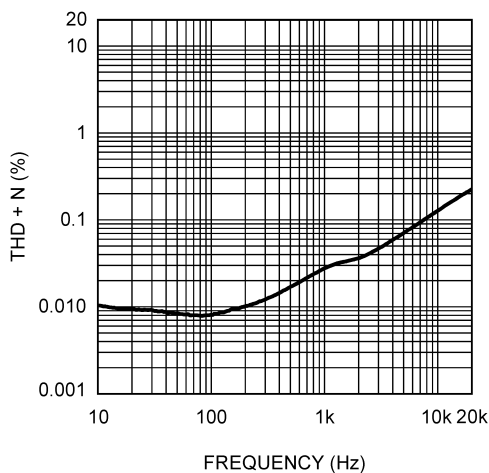
200898J7

THD+N vs Frequency
 $\pm 17V$, $P_{OUT} = 1W/Channel$
 $R_L = 4\Omega$, 80kHz BW



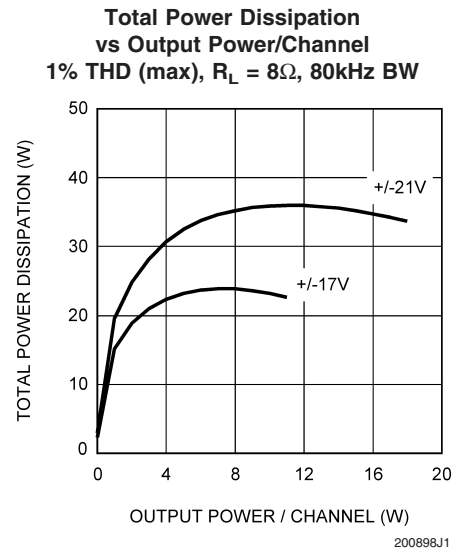
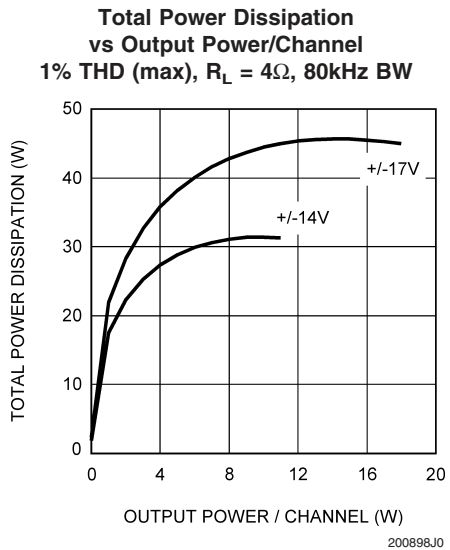
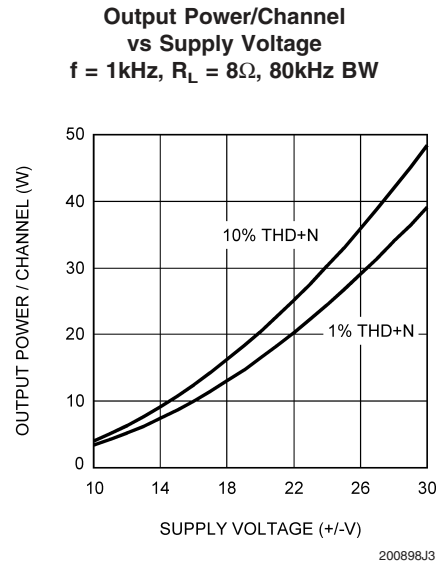
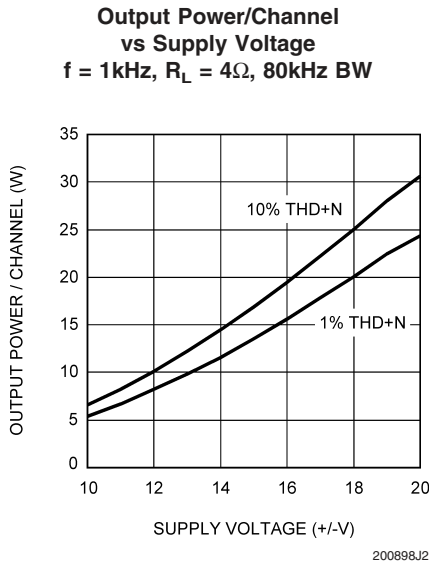
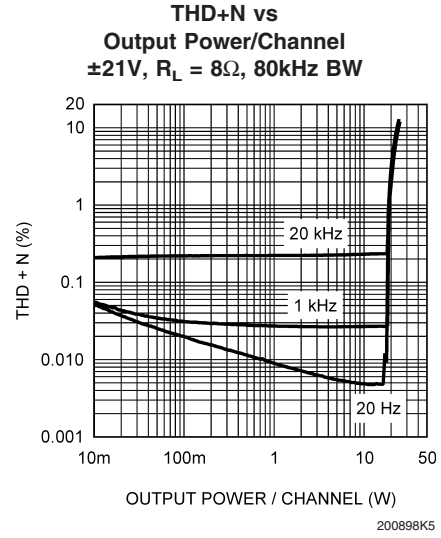
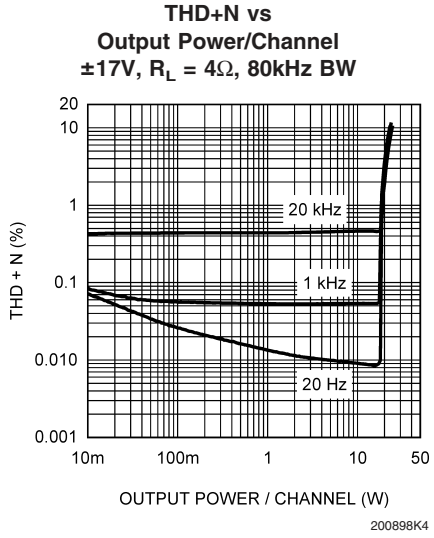
200898K2

THD+N vs Frequency
 $\pm 21V$, $P_{OUT} = 1W/Channel$
 $R_L = 8\Omega$, 80kHz BW

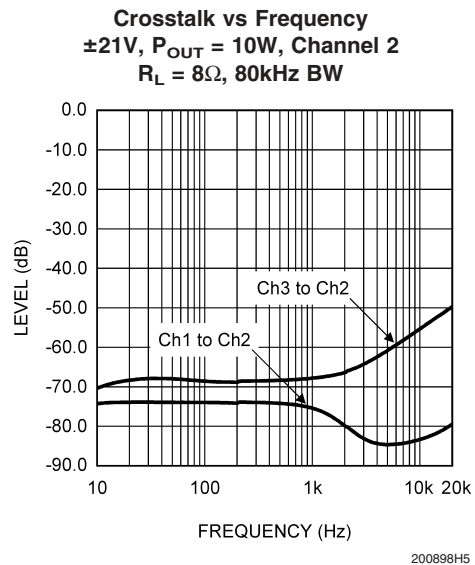
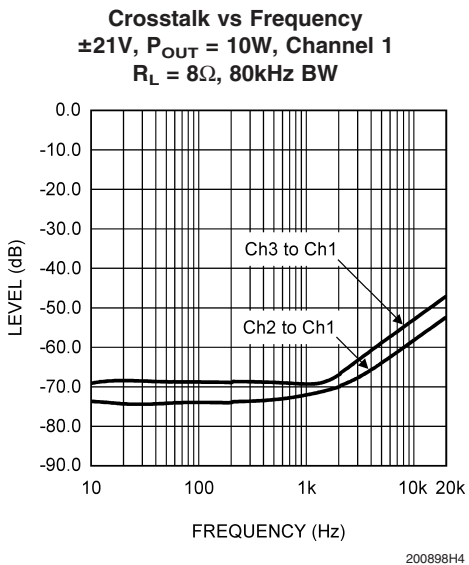
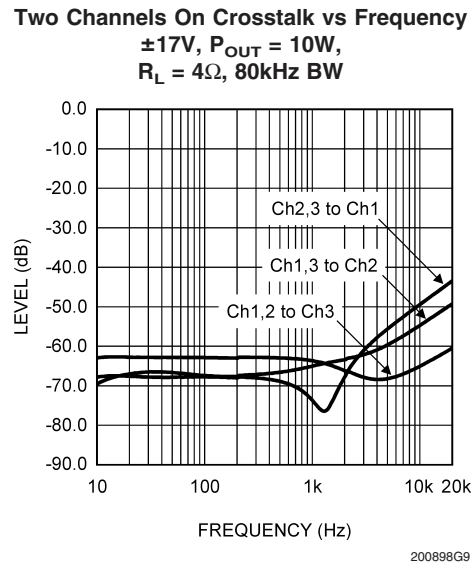
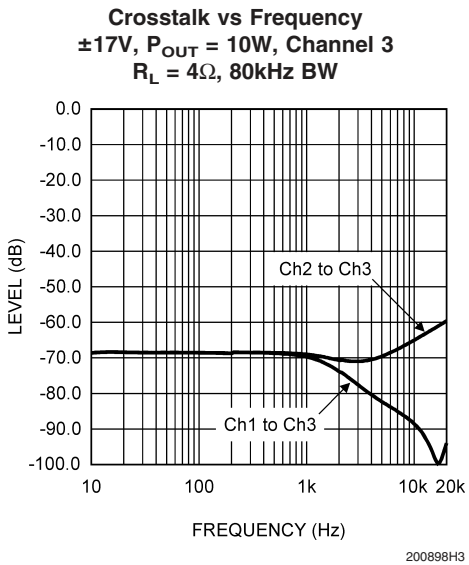
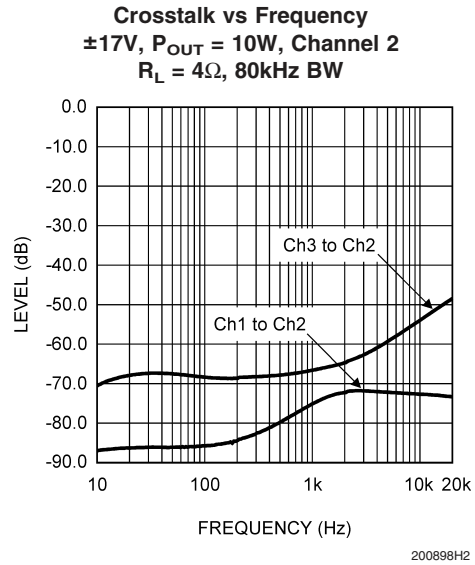
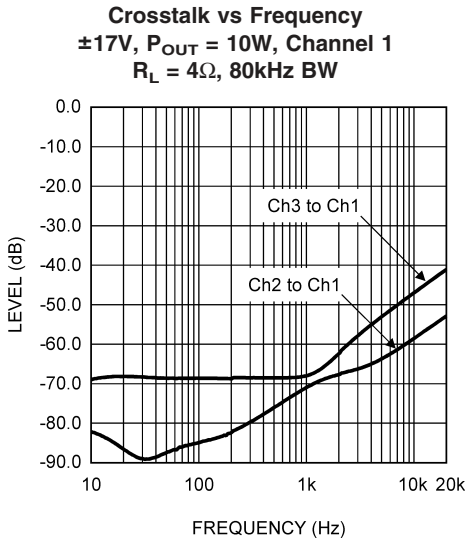


200898K3

Typical Performance Characteristics (Continued)

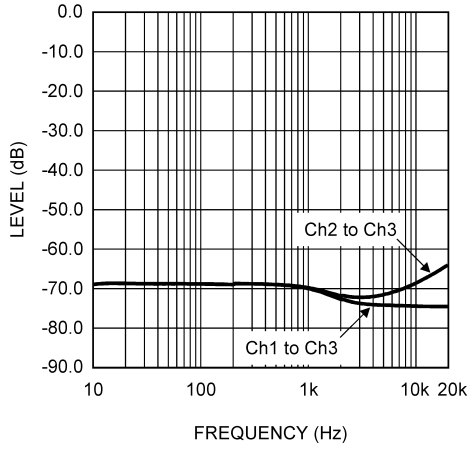


Typical Performance Characteristics (Continued)



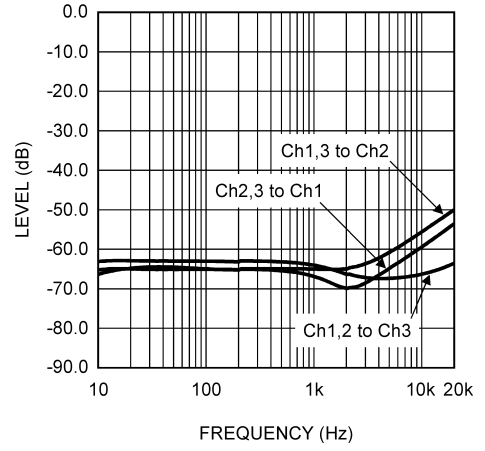
Typical Performance Characteristics (Continued)

Crosstalk vs Frequency
 $\pm 21V$, $P_{OUT} = 10W$, Channel 3
 $R_L = 8\Omega$, 80kHz BW



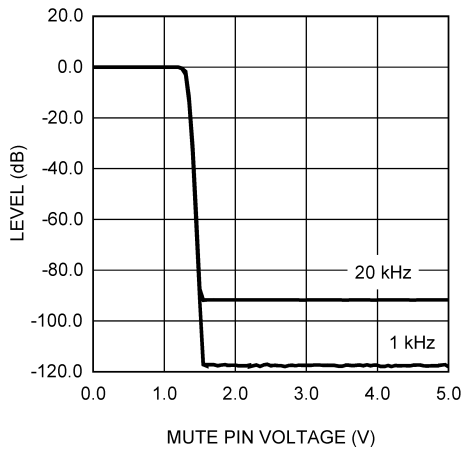
200898H6

Two Channels On Crosstalk vs Frequency
 $\pm 21V$, $P_{OUT} = 10W$,
 $R_L = 8\Omega$, 80kHz BW



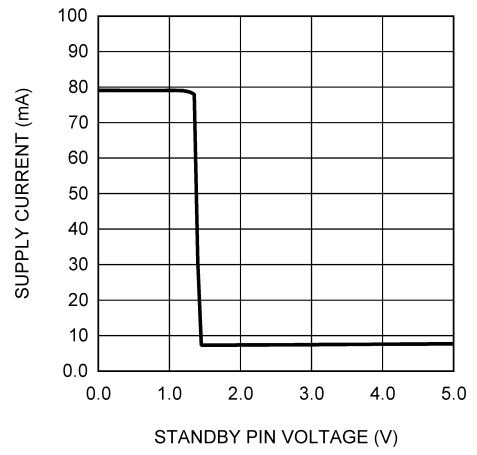
200898H0

Mute Attenuation vs Mute Pin Voltage
 $P_{OUT} = 10W/Channel$



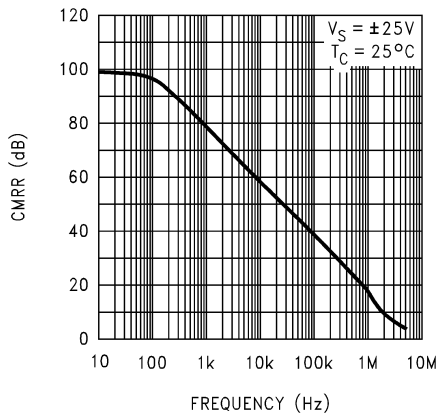
200898I3

Supply Current vs Standby Pin Voltage



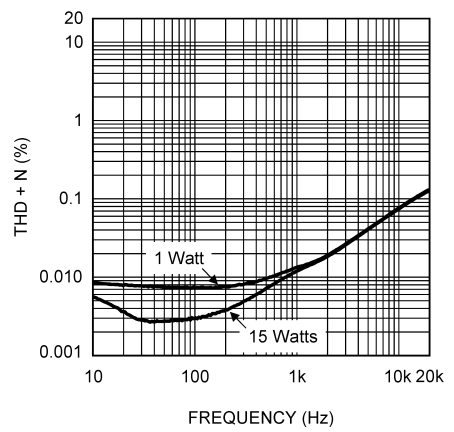
200898F5

Common-Mode Rejection Ratio



200898O3

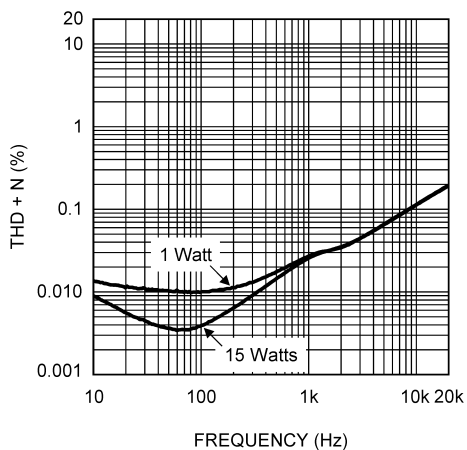
THD+N vs Frequency
 $\pm 17V$, $P_{OUT} = 1W$ & $15W$, Chs 1 & 3 in Bridge Mode (Note 15), $R_L = 8\Omega$, 80kHz BW



200898J9

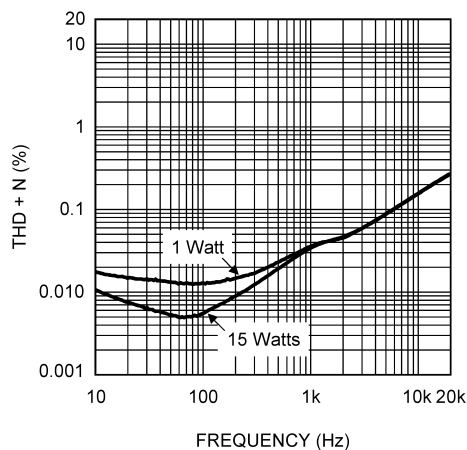
Typical Performance Characteristics (Continued)

THD+N vs Frequency
 $\pm 21V$, $P_{OUT} = 1W$ & $15W$, Chs 1 & 3 in Parallel Mode (Note 16), $R_L = 4\Omega$, 80kHz BW



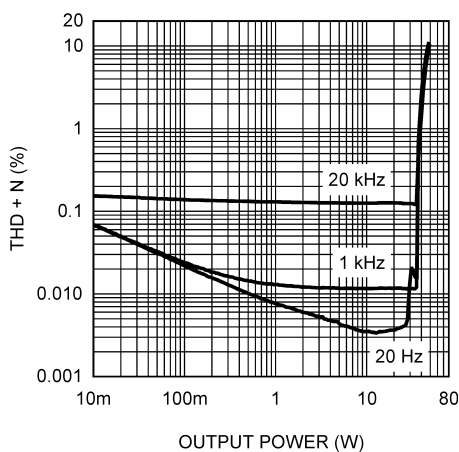
200898K1

THD+N vs Frequency
 $\pm 19V$, $P_{OUT} = 1W$ & $15W$, All Chs in Parallel Mode (Note 16), $R_L = 2\Omega$, 80kHz BW



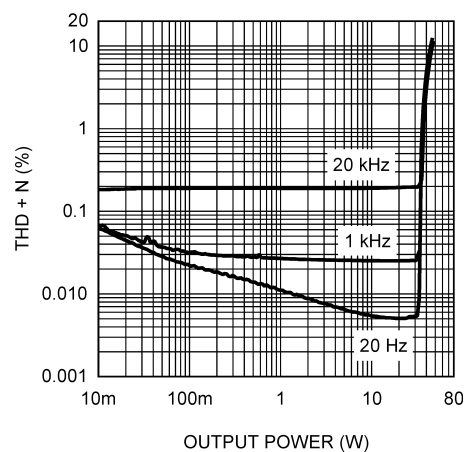
200898K0

THD+N vs Output Power
 $\pm 17V$, Chs 1 & 3 in Bridge Mode (Note 15), $R_L = 8\Omega$, 80kHz BW



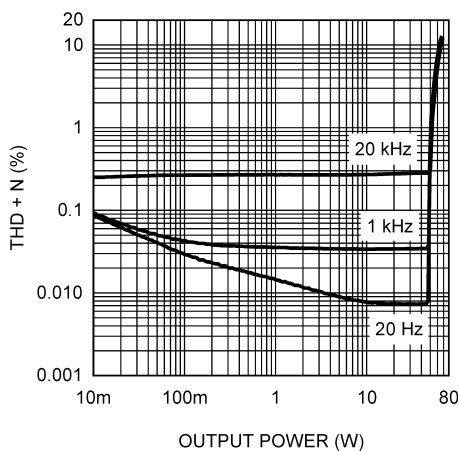
200898K6

THD+N vs Output Power
 $\pm 21V$, Chs 1 & 3 in Parallel Mode (Note 16), $R_L = 4\Omega$, 80kHz BW



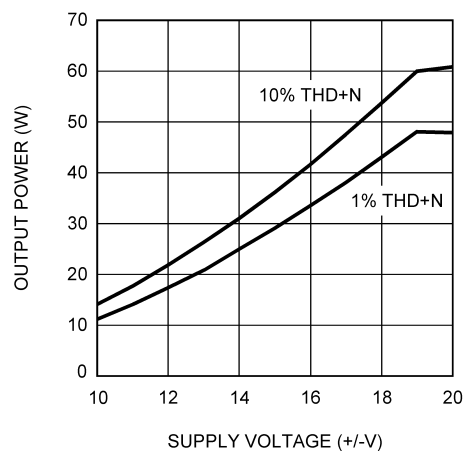
200898K8

THD+N vs Output Power
 $\pm 19V$, All Chs in Parallel Mode (Note 16), $R_L = 2\Omega$, 80kHz BW



200898K7

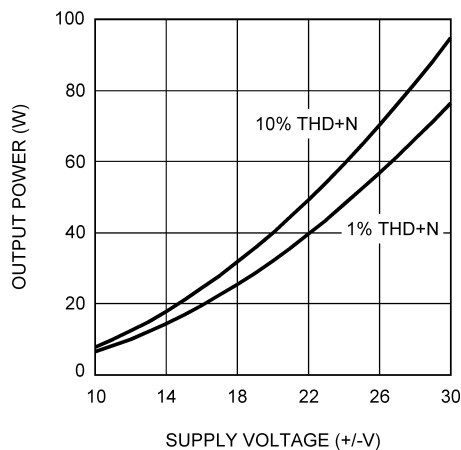
Output Power vs Supply Voltage
 Chs 1 & 3 in Bridge Mode (Note 15), $f = 1kHz$, $R_L = 8\Omega$, 80kHz BW



200898J4

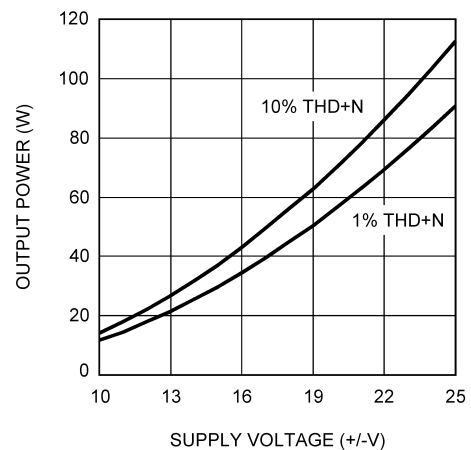
Typical Performance Characteristics (Continued)

Output Power vs Supply Voltage
Chs 1 & 3 in Parallel Mode (Note 16)
 $f = 1\text{kHz}$, $R_L = 4\Omega$, 80kHz BW



200898J6

Output Power vs Supply Voltage
All Chs in Parallel Mode (Note 16)
 $f = 1\text{kHz}$, $R_L = 2\Omega$, 80kHz BW



200898J5

Note 15: Bridge mode graphs were taken using the demo board and inverting the signal to the channel 3 input.

Note 16: Parallel mode graphs were taken using the demo board connecting each output through a $0.1\Omega/3\text{W}$ resistor to the load.

Application Information

MUTE MODE

By placing a logic-high voltage on the mute pins, the signal going into the amplifiers will be muted. If the mute pins are connected to a logic-low voltage, the amplifiers will be in a non-muted state. There are three mute pins, one for each amplifier, so that one channel can be muted without muting the other if the application requires such a configuration. Refer to the **Typical Performance Characteristics** section for curves concerning Mute Attenuation vs Mute Pin Voltage.

STANDBY MODE

The standby mode of the LM4734 allows the user to drastically reduce power consumption when the amplifiers are idle. By placing a logic-high voltage on the standby pins, the amplifiers will go into Standby Mode. In this mode, the current drawn from the V_{CC} supply is typically less than $30\mu\text{A}$ total for all amplifiers. The current drawn from the V_{EE} supply is typically 8mA . Clearly, there is a significant reduction in idle power consumption when using the standby mode. There are three Standby pins, so that one channel can be put in standby mode without putting the other amplifier in standby if the application requires such flexibility. Refer to the **Typical Performance Characteristics** section for curves showing Supply Current vs. Standby Pin Voltage for both supplies.

UNDER-VOLTAGE PROTECTION

Upon system power-up, the under-voltage protection circuitry allows the power supplies and their corresponding capacitors to come up close to their full values before turning on the LM4734. Since the supplies have essentially settled to their final value, no DC output spikes occur. At power down, the outputs of the LM4734 are forced to ground before the power supply voltages fully decay preventing transients on the output.

OVER-VOLTAGE PROTECTION

The LM4734 contains over-voltage protection circuitry that limits the output current while also providing voltage clamping. The clamp does not, however, use internal clamping diodes. The clamping effect is quite the same as diodes because the output transistors are designed to work alternately by sinking large current spikes.

THERMAL PROTECTION

The LM4734 has a sophisticated thermal protection scheme to prevent long-term thermal stress of the device. When the temperature on the die exceeds 150°C , the LM4734 shuts down. It starts operating again when the die temperature drops to about 145°C , but if the temperature again begins to rise, shutdown will occur again above 150°C . Therefore, the device is allowed to heat up to a relatively high temperature if the fault condition is temporary, but a sustained fault will cause the device to cycle in a Schmitt Trigger fashion between the thermal shutdown temperature limits of 150°C and 145°C . This greatly reduces the stress imposed on the IC by thermal cycling, which in turn improves its reliability under sustained fault conditions.

Since the die temperature is directly dependent upon the heat sink used, the heat sink should be chosen so that thermal shutdown is not activated during normal operation. Using the best heat sink possible within the cost and space constraints of the system will improve the long-term reliability of any power semiconductor device, as discussed in the **Determining the Correct Heat Sink** section.

DETERMINING MAXIMUM POWER DISSIPATION

Power dissipation within the integrated circuit package is a very important parameter requiring a thorough understanding if optimum power output is to be obtained. An incorrect maximum power dissipation calculation may result in inadequate heat sinking causing thermal shutdown and thus limiting the output power.

Equation (1) shows the theoretical maximum power dissipation point for each amplifier in a single-ended configuration where V_{CC} is the total supply voltage.

www.DataSheet4U.com

Application Information (Continued)

$$P_{DMAX} = (V_{CC})^2 / 2\pi^2 R_L \quad (1)$$

Thus by knowing the total supply voltage and rated output load, the maximum power dissipation point can be calculated. The package dissipation is three times the number which results from Equation (1) since there are three amplifiers in each LM4734. Refer to the graphs of Power Dissipation versus Output Power in the **Typical Performance Characteristics** section which show the actual full range of power dissipation not just the maximum theoretical point that results from Equation (1).

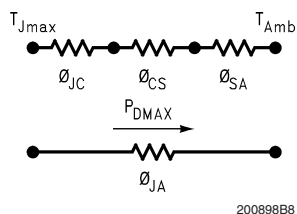
DETERMINING THE CORRECT HEAT SINK

The choice of a heat sink for a high-power audio amplifier is made entirely to keep the die temperature at a level such that the thermal protection circuitry is not activated under normal circumstances.

The thermal resistance from the die to the outside air, θ_{JA} (junction to ambient), is a combination of three thermal resistances, θ_{JC} (junction to case), θ_{CS} (case to sink), and θ_{SA} (sink to ambient). The thermal resistance, θ_{JC} (junction to case), of the LM4734TA is 1.0°C/W. Using Thermalloy Thermacote thermal compound, the thermal resistance, θ_{CS} (case to sink), is about 0.2°C/W. Since convection heat flow (power dissipation) is analogous to current flow, thermal resistance is analogous to electrical resistance, and temperature drops are analogous to voltage drops, the power dissipation out of the LM4734 is equal to the following:

$$P_{DMAX} = (T_{JMAX} - T_{AMB}) / \theta_{JA} \quad (2)$$

where $T_{JMAX} = 150^\circ\text{C}$, T_{AMB} is the system ambient temperature and $\theta_{JA} = \theta_{JC} + \theta_{CS} + \theta_{SA}$.



Once the maximum package power dissipation has been calculated using Equation 2, the maximum thermal resistance, θ_{SA} , (heat sink to ambient) in °C/W for a heat sink can be calculated. This calculation is made using Equation 4 which is derived by solving for θ_{SA} in Equation 3.

$$\theta_{SA} = [(T_{JMAX} - T_{AMB}) - P_{DMAX}(\theta_{JC} + \theta_{CS})] / P_{DMAX} \quad (3)$$

Again it must be noted that the value of θ_{SA} is dependent upon the system designer's amplifier requirements. If the ambient temperature that the audio amplifier is to be working under is higher than 25°C, then the thermal resistance for the heat sink, given all other things are equal, will need to be smaller.

SUPPLY BYPASSING

The LM4734 has excellent power supply rejection and does not require a regulated supply. However, to improve system performance as well as eliminate possible oscillations, the LM4734 should have its supply leads bypassed with low-inductance capacitors having short leads that are located close to the package terminals. Inadequate power supply bypassing will manifest itself by a low frequency oscillation

known as "motorboating" or by high frequency instabilities. These instabilities can be eliminated through multiple bypassing utilizing a large tantalum or electrolytic capacitor (10µF or larger) which is used to absorb low frequency variations and a small ceramic capacitor (0.1µF) to prevent any high frequency feedback through the power supply lines.

If adequate bypassing is not provided, the current in the supply leads which is a rectified component of the load current may be fed back into internal circuitry. This signal causes distortion at high frequencies requiring that the supplies be bypassed at the package terminals. It is recommended that a ceramic 0.1µF capacitor and an electrolytic or tantalum 10µF or larger capacitor be placed as close as possible to the IC's supply pins and then an additional electrolytic capacitor of 470µF or more on each supply line.

BRIDGED AMPLIFIER APPLICATION

The LM4734 has three operational amplifiers internally, allowing for a few different amplifier configurations. One of these configurations is referred to as "bridged mode" and involves driving the load differentially through two of the LM4734's outputs. This configuration is shown in Figure 2. Bridged mode operation is different from the classical single-ended amplifier configuration where one side of its load is connected to ground.

A bridge amplifier design has a distinct advantage over the single-ended configuration, as it provides differential drive to the load, thus doubling output swing for a specified supply voltage. Theoretically, four times the output power is possible as compared to a single-ended amplifier under the same conditions. This increase in attainable output power assumes that the amplifier is not current limited or clipped.

A direct consequence of the increased power delivered to the load by a bridge amplifier is an increase in internal power dissipation. For each operational amplifier in a bridge configuration, the internal power dissipation will increase by a factor of two over the single ended dissipation. Using Equation (2) the load impedance should be divided by a factor of two to find the maximum power dissipation point for each amplifier in a bridge configuration. In the case of an 8Ω load in a bridge configuration, the value used for R_L in Equation (2) would be 4Ω for each amplifier in the bridge. When using two of the amplifiers of the LM4734 in bridge mode, the third amplifier should have a load impedance equal to or higher than the equivalent impedance seen by each of the bridged amplifiers. In the example above where the bridge load is 8Ω and each amplifier in the bridge sees a load value of 4Ω then the third amplifier should also have a 4Ω load impedance or higher. Using a lower load impedance on the third amplifier will result in higher power dissipation in the third amplifier than the other two amplifiers and may result in unwanted activation of thermal shut down on the third amplifier. Once the impedance seen by each amplifier is known then Equation (2) can be used to calculate the value of P_{DMAX} for each amplifier. The P_{DMAX} of the IC package is found by adding up the power dissipation for each amplifier within the IC package.

This value of P_{DMAX} can be used to calculate the correct size heat sink for a bridged amplifier application. Since the internal dissipation for a given power supply and load is increased by using bridged-mode, the heatsink's θ_{SA} will have to decrease accordingly as shown by Equation 4. Refer to the section, **Determining the Correct Heat Sink**, for a more detailed discussion of proper heat sinking for a given application.

Application Information (Continued)

PARALLEL AMPLIFIER APPLICATION

Parallel configuration is normally used when higher output current is needed for driving lower impedance loads (i.e. 4Ω or lower) to obtain higher output power levels. As shown in *Figure 3*, the parallel amplifier configuration consist of designing the amplifiers in the IC to have identical gain, connecting the inputs in parallel and then connecting the outputs in parallel through a small external output resistor. Any number of amplifiers can be connected in parallel to obtain the needed output current or to divide the power dissipation across multiple IC packages. Ideally, each amplifier shares the output current equally. Due to slight differences in gain the current sharing will not be equal among all channels. If current is not shared equally among all channels then the power dissipation will also not be equal among all channels. It is recommended that 0.1% tolerance resistors be used to set the gain (R_i and R_f) for a minimal amount of difference in current sharing.

When operating two or more amplifiers in parallel mode the impedance seen by each amplifier is equal to the total load impedance multiplied by the number of amplifiers driving the load in parallel as shown by *Equation (4)* below:

$$R_{L(\text{parallel})} = R_{L(\text{total})} * \text{Number of amplifiers} \quad (4)$$

Once the impedance seen by each amplifier in the parallel configuration is known then *Equation (2)* can be used with this calculated impedance to find the amount of power dissipation for each amplifier. Total power dissipation (P_{DMAX}) within an IC package is found by adding up the power dissipation for each amplifier in the IC package. Using the calculated P_{DMAX} the correct heat sink size can be determined. Refer to the section, **Determining the Correct Heat Sink**, for more information and detailed discussion of proper heat sinking.

If only two amplifiers of the LM4734 are used in parallel mode then the third amplifier should have a load impedance equal to or higher than the equivalent impedance seen by each of the amplifiers in parallel mode. Having the same load impedance on all amplifiers means that the power dissipation in each amplifier will be equal. Using a lower load impedance on the third amplifier will result in higher power dissipation in the third amplifier than the other two amplifiers and may result in unwanted activation of thermal shut down on the third amplifier. Having a higher impedance on the third amplifier than the equivalent impedance on the two amplifiers in parallel will reduce total IC package power dissipation reducing the heat sink size requirement.

BI-AMP AND TRI-AMP APPLICATIONS

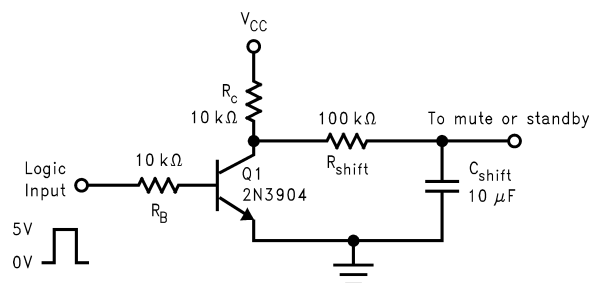
Bi-amping is the practice of using two different amplifiers to power the individual drivers in a speaker enclosure. For example, a two-way speaker enclosure might have a tweeter and a subwoofer. One amplifier would drive the tweeter and another would drive the subwoofer. One advantage is that the gain of each amplifier can be adjusted for the different driver sensitivities. Another advantage is the crossover can be designed before the amplifier stages with low cost op amps instead of large passive components. With the crossover before the amplifier stages no power is wasted in the passive crossover as each individual amplifier provides the correct frequencies for the driver. Tri-Amping is using three different amplifier stages in the same way bi-amping is done. Bi-amping can also be done on a three-way speaker design by using one amplifier for the subwoofer and another for the midrange and tweeter.

The LM4734 is perfectly suited for bi-amp or tri-amp applications with its three amplifiers. Two of the amplifiers can be configured for bridge or parallel mode to drive a subwoofer with the third amplifier driving the tweeter or tweeter and midrange. An example would be to use a 4Ω subwoofer and 8Ω tweeter/midrange with the LM4734 in parallel and single-ended modes. Each amplifier would see an 8Ω load but the subwoofer would have twice the output power as the tweeter/midrange. The gain of each amplifier may also be adjusted for the desired response. Using the LM4734 in a tri-amp configuration would allow the gain of each amplifier to be adjusted to achieve the desired speaker response.

SINGLE-SUPPLY AMPLIFIER APPLICATION

The typical application of the LM4734 is a split supply amplifier. But as shown in *Figure 4*, the LM4734 can also be used in a single power supply configuration. This involves using some external components to create a half-supply bias which is used as the reference for the inputs and outputs. Thus, the signal will swing around half-supply much like it swings around ground in a split-supply application. Along with proper circuit biasing, a few other considerations must be accounted for to take advantage of all of the LM4734 functions, like the mute function.

The LM4734 possesses a mute and standby function with internal logic gates that are half-supply referenced. Thus, to enable either the Mute or Standby function, the voltage at these pins must be a minimum of 2.5V above half-supply. In single-supply systems, devices such as microprocessors and simple logic circuits used to control the mute and standby functions, are usually referenced to ground, not half-supply. Thus, to use these devices to control the logic circuitry of the LM4734, a "level shifter," like the one shown in *Figure 6*, must be employed. A level shifter is not needed in a split-supply configuration since ground is also half-supply.



200898D9

FIGURE 6. Level Shift Circuit

When the voltage at the Logic Input node is 0V, the 2N3904 is "off" and thus resistor R_C pulls up mute or standby input to the supply. This enables the mute or standby function. When the Logic Input is 5V, the 2N3904 is "on" and consequently, the voltage at the collector is essentially 0V. This will disable the mute or standby function, and thus the amplifier will be in its normal mode of operation. R_{shift} , along with C_{shift} , creates an RC time constant that reduces transients when the mute or standby functions are enabled or disabled. Additionally, R_{shift} limits the current supplied by the internal logic gates of the LM4734 which insures device reliability. Refer to the Mute Mode and Standby Mode sections in the **Application Information** section for a more detailed description of these functions.

Application Information (Continued)

CLICKS AND POPS

In the typical application of the LM4734 as a split-supply audio power amplifier, the IC exhibits excellent “click” and “pop” performance when utilizing the mute mode. In addition, the device employs Under-Voltage Protection, which eliminates unwanted power-up and power-down transients. The basis for these functions are a stable and constant half-supply potential. In a split-supply application, ground is the stable half-supply potential. But in a single-supply application, the half-supply needs to charge up at the same rate as the supply rail, V_{CC} . This makes the task of attaining a clickless and popless turn-on more challenging. Any uneven charging of the amplifier inputs will result in output clicks and pops due to the differential input topology of the LM4734.

To achieve a transient free power-up and power-down, the voltage seen at the input terminals should be ideally the same. Such a signal will be common-mode in nature, and will be rejected by the LM4734. In *Figure 4*, the resistor R_{INP} serves to keep the inputs at the same potential by limiting the voltage difference possible between the two nodes. This should significantly reduce any type of turn-on pop, due to an uneven charging of the amplifier inputs. This charging is based on a specific application loading and thus, the system designer may need to adjust these values for optimal performance.

As shown in *Figure 4*, the resistors labeled R_{BI} help bias up the LM4734 off the half-supply node at the emitter of the 2N3904. But due to the input and output coupling capacitors in the circuit, along with the negative feedback, there are two different values of R_{BI} , namely 10k Ω and 200k Ω . These resistors bring up the inputs at the same rate resulting in a popless turn-on. Adjusting these resistors values slightly may reduce pops resulting from power supplies that ramp extremely quick or exhibit overshoot during system turn-on.

PROPER SELECTION OF EXTERNAL COMPONENTS

Proper selection of external components is required to meet the design targets of an application. The choice of external component values that will affect gain and low frequency response are discussed below.

The gain of each amplifier is set by resistors R_f and R_i for the non-inverting configuration shown in *Figure 1*. The gain is found by *Equation (5)* below:

$$A_V = 1 + R_f / R_i \text{ (V/V)} \quad (5)$$

For best noise performance, lower values of resistors are used. A value of 1k Ω is commonly used for R_i and then setting the value of R_f for the desired gain. For the LM4734 the gain should be set no lower than 10V/V and no higher than 50V/V. Gain settings below 10V/V may experience instability and using the LM4734 for gains higher than 50V/V will see an increase in noise and THD.

The combination of R_i with C_i (see *Figure 1*) creates a high pass filter. The low frequency response is determined by these two components. The -3dB point can be found from *Equation (6)* shown below:

$$f_i = 1 / (2\pi R_i C_i) \text{ (Hz)} \quad (6)$$

If an input coupling capacitor is used to block DC from the inputs as shown in *Figure 5*, there will be another high pass filter created with the combination of C_{IN} and R_{IN} . When using an input coupling capacitor R_{IN} is needed to set the DC bias point on the amplifier's input terminal. The resulting -3dB frequency response due to the combination of C_{IN} and R_{IN} can be found from *Equation (7)* shown below:

$$f_{IN} = 1 / (2\pi R_{IN} C_{IN}) \text{ (Hz)} \quad (7)$$

With large values of R_{IN} oscillations may be observed on the outputs when the inputs are left floating. Decreasing the value of R_{IN} or not letting the inputs float will remove the oscillations. If the value of R_{IN} is decreased then the value of C_{IN} will need to increase in order to maintain the same -3dB frequency response.

HIGH PERFORMANCE CONSIDERATIONS

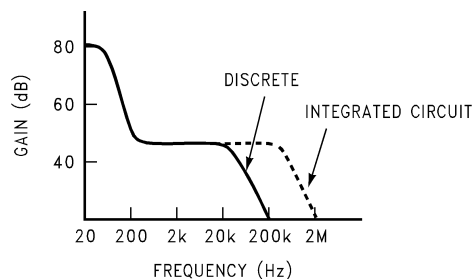
Using low cost electrolytic capacitors in the signal path such as C_{IN} and C_i (see *Figures 1 - 5*) will result in very good performance. However, electrolytic capacitors are less linear than other premium capacitors. Higher THD+N performance may be obtained by using high quality polypropylene capacitors in the signal path. A more cost effective solution may be the use of smaller value premium capacitors in parallel with the larger electrolytic capacitors. This will maintain signal quality in the upper audio band where any degradation is most noticeable while also coupling in the signals in the lower audio band for good bass response.

Distortion is introduced as the audio signal approaches the lower -3dB point, determined as discussed in the section above. By using larger values of capacitors such that the -3dB point is well outside of the audio band will reduce this distortion and improve THD+N performance.

Increasing the value of the large supply bypass capacitors will improve burst power output. The larger the supply bypass capacitors the higher the output pulse current without supply droop increasing the peak output power. This will also increase the headroom of the amplifier and reduce THD.

SIGNAL-TO-NOISE RATIO

In the measurement of the signal-to-noise ratio, misinterpretations of the numbers actually measured are common. One amplifier may sound much quieter than another, but due to improper testing techniques, they appear equal in measurements. This is often the case when comparing integrated circuit designs to discrete amplifier designs. Discrete transistor amps often “run out of gain” at high frequencies and therefore have small bandwidths to noise as indicated below.



20089899

Integrated circuits have additional open loop gain allowing additional feedback loop gain in order to lower harmonic distortion and improve frequency response. It is this additional bandwidth that can lead to erroneous signal-to-noise measurements if not considered during the measurement process. In the typical example above, the difference in bandwidth appears small on a log scale but the factor of 10 in bandwidth, (200kHz to 2MHz) can result in a 10dB theoretical difference in the signal-to-noise ratio (white noise is proportional to the square root of the bandwidth in a system).

In comparing audio amplifiers it is necessary to measure the magnitude of noise in the audible bandwidth by using a “weighting” filter (Note 17). A “weighting” filter alters the frequency response in order to compensate for the average

Application Information (Continued)

human ear's sensitivity to the frequency spectra. The weighting filters at the same time provide the bandwidth limiting as discussed in the previous paragraph.

Note 17: CCIR/ARM: *A Practical Noise Measurement Method*; by Ray Dolby, David Robinson and Kenneth Gundry, AES Preprint No. 1353 (F-3).

In addition to noise filtering, differing meter types give different noise readings. Meter responses include:

1. RMS reading,
2. average responding,
3. peak reading, and
4. quasi peak reading.

Although theoretical noise analysis is derived using true RMS based calculations, most actual measurements are taken with ARM (Average Responding Meter) test equipment.

Typical signal-to-noise figures are listed for an A-weighted filter which is commonly used in the measurement of noise. The shape of all weighting filters is similar, with the peak of the curve usually occurring in the 3kHz–7kHz region.

LEAD INDUCTANCE

Power op amps are sensitive to inductance in the output leads, particularly with heavy capacitive loading. Feedback to the input should be taken directly from the output terminal, minimizing common inductance with the load.

Lead inductance can also cause voltage surges on the supplies. With long leads to the power supply, energy is stored in the lead inductance when the output is shorted. This energy can be dumped back into the supply bypass capacitors when the short is removed. The magnitude of this transient is reduced by increasing the size of the bypass capacitor near

the IC. With at least a 20 μ F local bypass, these voltage surges are important only if the lead length exceeds a couple feet (>1 μ H lead inductance). Twisting together the supply and ground leads minimizes the effect.

PHYSICAL IC MOUNTING CONSIDERATIONS

Mounting of the package to a heat sink must be done such that there is sufficient pressure from the mounting screws to insure good contact with the heat sink for efficient heat flow. Over tightening the mounting screws will cause the package to warp reducing contact area with the heat sink. Less contact with the heat sink will increase the thermal resistance from the package case to the heat sink (θ_{CS}) resulting in higher operating die temperatures and possible unwanted thermal shut down activation. Extreme over tightening of the mounting screws will cause severe physical stress resulting in cracked die and catastrophic IC failure. The recommended mounting screw size is M3 with a maximum torque of 50 N-cm. Additionally, it is best to use washers under the screws to distribute the force over a wider area or a screw with a wide flat head. To further distribute the mounting force a solid mounting bar in front of the package and secured in place with the two mounting screws may be used. Other mounting options include a spring clip. If the package is secured with pressure on the front of the package the maximum pressure on the molded plastic should not exceed 150N/mm².

Additionally, if the mounting screws are used to force the package into correct alignment with the heat sink, package stress will be increased. This increase in package stress will result in reduced contact area with the heat sink increasing die operating temperature and possible catastrophic IC failure.

Application Information (Continued)

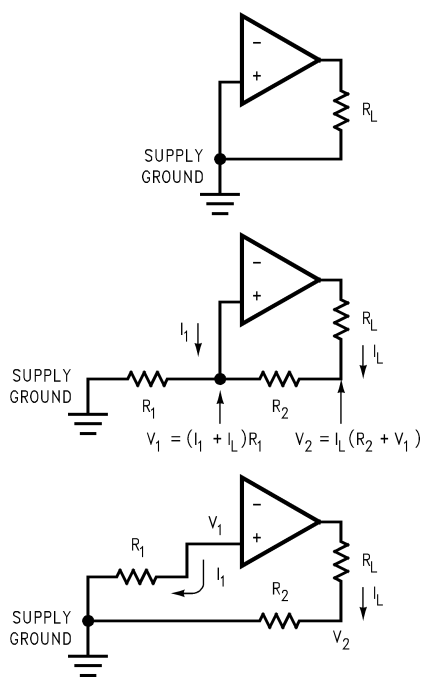
LAYOUT, GROUND LOOPS AND STABILITY

The LM4734 is designed to be stable when operated at a closed-loop gain of 10 or greater, but as with any other high-current amplifier, the LM4734 can be made to oscillate under certain conditions. These oscillations usually involve printed circuit board layout or output/input coupling issues.

When designing a layout, it is important to return the load ground, the output compensation ground, and the low level (feedback and input) grounds to the circuit board common ground point through separate paths. Otherwise, large currents flowing along a ground conductor will generate voltages on the conductor which can effectively act as signals at the input, resulting in high frequency oscillation or excessive distortion. It is advisable to keep the output compensation components and the 0.1µF supply decoupling capacitors as close as possible to the LM4734 to reduce the effects of PCB trace resistance and inductance. For the same reason, the ground return paths should be as short as possible.

In general, with fast, high-current circuitry, all sorts of problems can arise from improper grounding which again can be avoided by returning all grounds separately to a common point. Without isolating the ground signals and returning the grounds to a common point, ground loops may occur.

“Ground Loop” is the term used to describe situations occurring in ground systems where a difference in potential exists between two ground points. Ideally a ground is a ground, but unfortunately, in order for this to be true, ground conductors with zero resistance are necessary. Since real world ground leads possess finite resistance, currents running through them will cause finite voltage drops to exist. If two ground return lines tie into the same path at different points there will be a voltage drop between them. The first figure below shows a common ground example where the positive input ground and the load ground are returned to the supply ground point via the same wire. The addition of the finite wire resistance, R_2 , results in a voltage difference between the two points as shown below.



20089898

The load current I_L will be much larger than input bias current I_1 , thus V_1 will follow the output voltage directly, i.e. in phase. Therefore the voltage appearing at the non-inverting input is effectively positive feedback and the circuit may oscillate. If there was only one device to worry about then the values of R_1 and R_2 would probably be small enough to be ignored; however, several devices normally comprise a total system. Any ground return of a separate device, whose output is in phase, can feedback in a similar manner and cause instabilities. Out of phase ground loops also are troublesome, causing unexpected gain and phase errors.

The solution to most ground loop problems is to always use a single-point ground system, although this is sometimes impractical. The third figure above is an example of a single-point ground system.

The single-point ground concept should be applied rigorously to all components and all circuits when possible. Violations of single-point grounding are most common among printed circuit board designs, since the circuit is surrounded by large ground areas which invite the temptation to run a device to the closest ground spot. As a final rule, make all ground returns low resistance and low inductance by using large wire and wide traces.

Occasionally, current in the output leads (which function as antennas) can be coupled through the air to the amplifier input, resulting in high-frequency oscillation. This normally happens when the source impedance is high or the input leads are long. The problem can be eliminated by placing a small capacitor, C_C , (on the order of 50pF to 500pF) across the LM4734 input terminals. Refer to the **External Components Description** section relating to component interaction with C_C .

REACTIVE LOADING

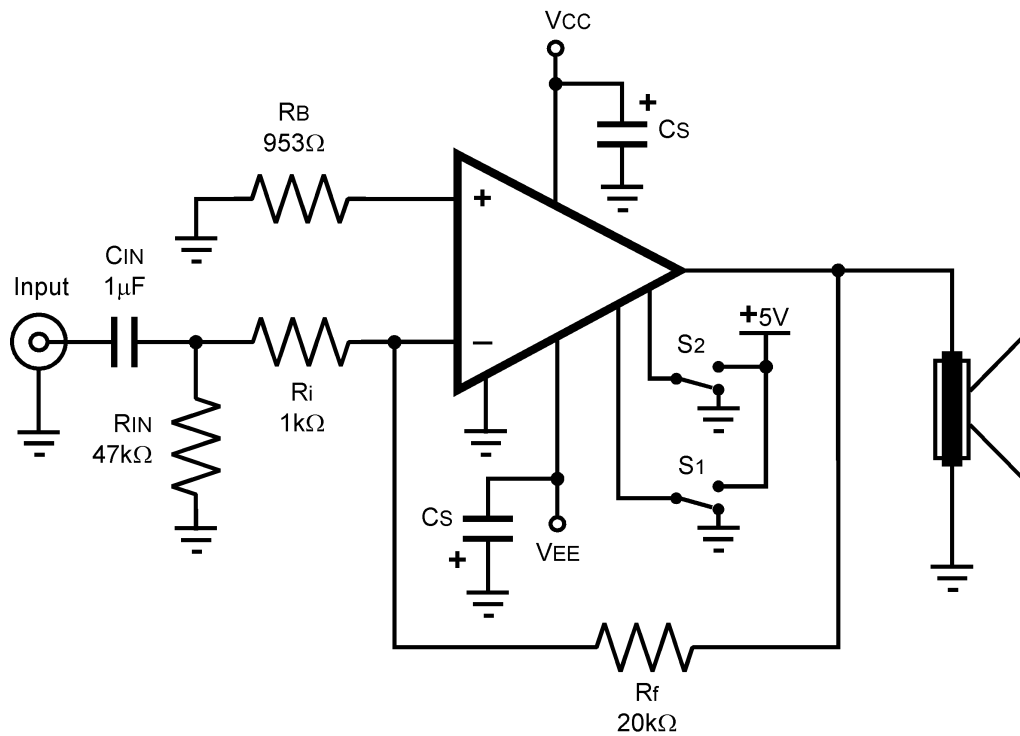
It is hard for most power amplifiers to drive highly capacitive loads very effectively and normally results in oscillations or ringing on the square wave response. If the output of the LM4734 is connected directly to a capacitor with no series resistance, the square wave response will exhibit ringing if the capacitance is greater than about 0.2µF. If highly capacitive loads are expected due to long speaker cables, a method commonly employed to protect amplifiers from low impedances at high frequencies is to couple to the load through a 10Ω resistor in parallel with a 0.7µH inductor. The inductor-resistor combination as shown in the *Figure 5* isolates the feedback amplifier from the load by providing high output impedance at high frequencies thus allowing the 10Ω resistor to decouple the capacitive load and reduce the Q of the series resonant circuit. The LR combination also provides low output impedance at low frequencies thus shorting out the 10Ω resistor and allowing the amplifier to drive the series RC load (large capacitive load due to long speaker cables) directly.

INVERTING AMPLIFIER APPLICATION

The inverting amplifier configuration may be used instead of the more common non-inverting amplifier configuration shown in *Figure 1*. The inverting amplifier can have better THD+N performance and eliminates the need for a large capacitor (C_i) reducing cost and space requirements. The values show in *Figure 7* are only one example of an amplifier with a gain of 20V/V (Gain = $-R_f/R_i$). For different resistor values, the value of R_B should be equal to the parallel combination of R_f and R_i .

Application Information (Continued)

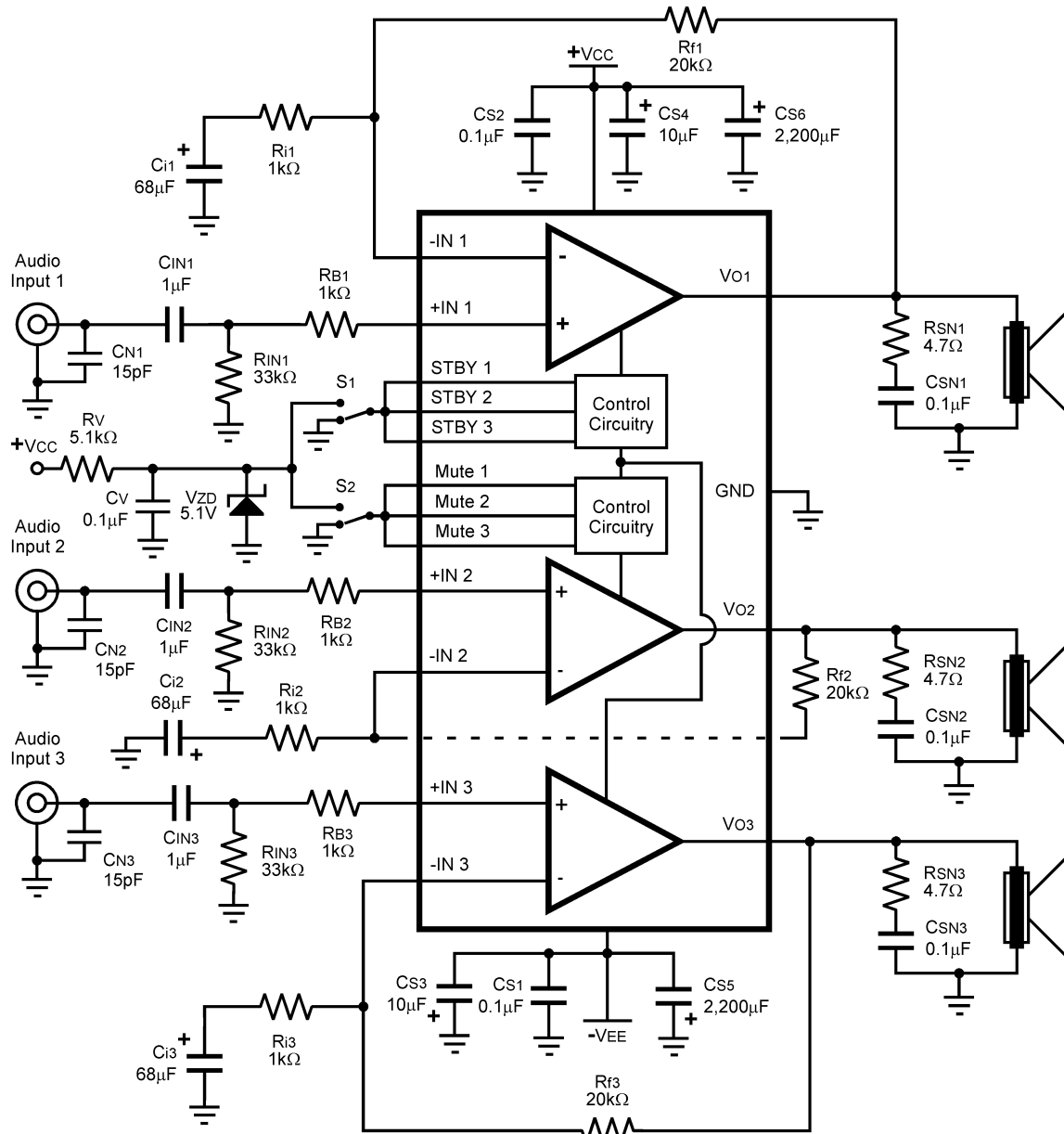
If the DC blocking input capacitor (C_{IN}) is used as shown, the lower -3dB point is found using Equation (8) as discussed in the **Proper Selection of External Components** section.



200898D7

FIGURE 7. Inverting Amplifier Application Circuit

Application Information (Continued)

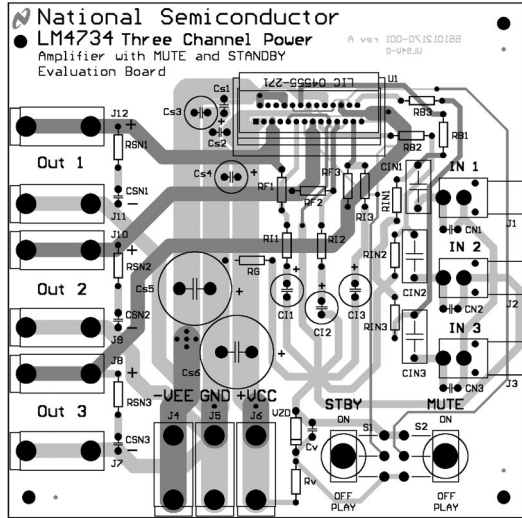


200898D8

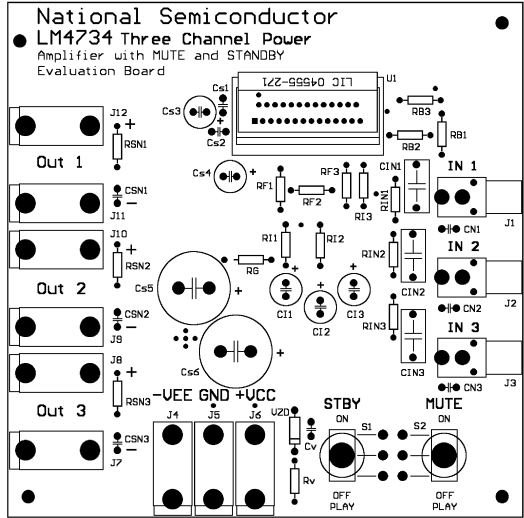
FIGURE 8. Reference PCB Schematic

Application Information (Continued)

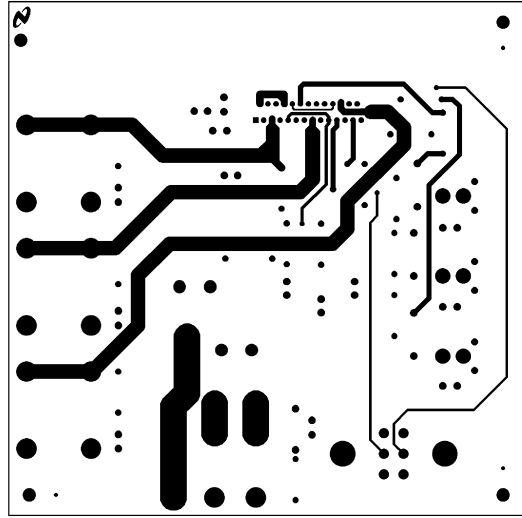
LM4734 REFERENCE BOARD ARTWORK



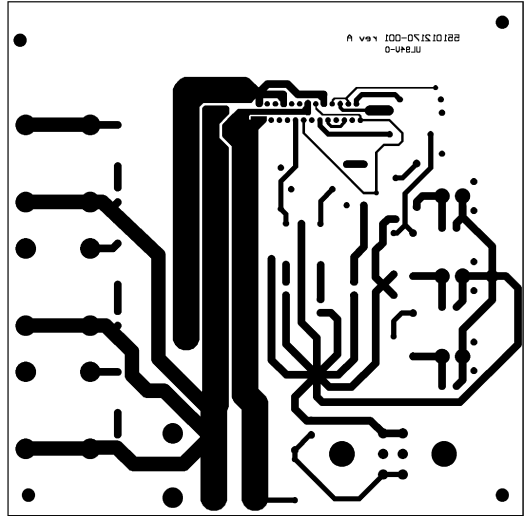
Composite Layer



Silk Layer



Top Layer



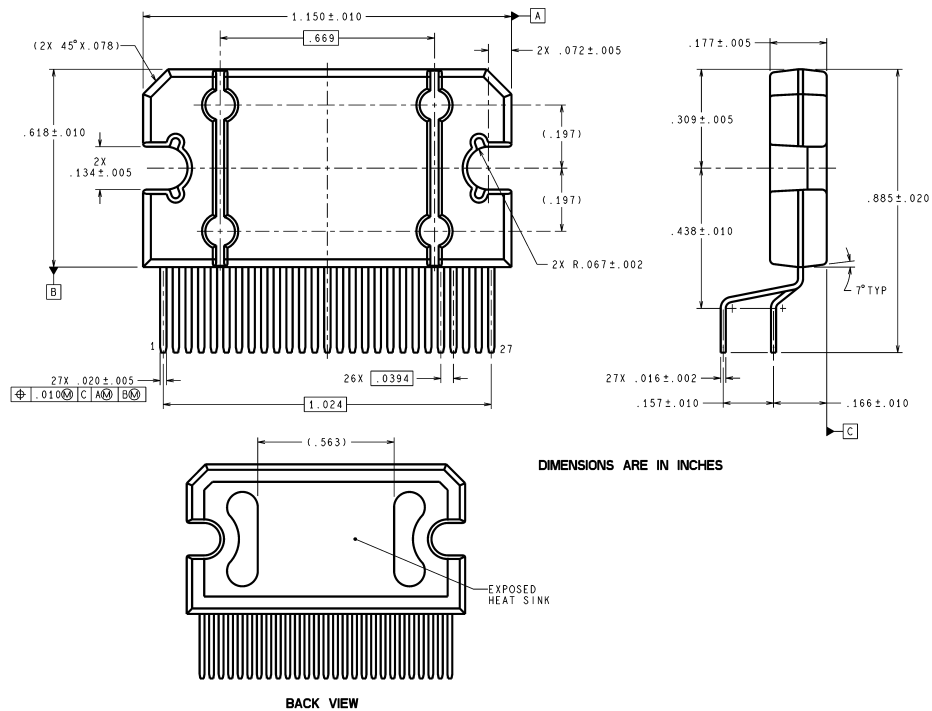
Bottom Layer

Application Information (Continued)**Bill Of Materials For Reference PCB**

Symbol	Value	Tolerance	Type/Description	Comment
R _{IN1} , R _{IN2} , R _{IN3}	33kΩ	5%	1/4 Watt	
R _{B1} , R _{B2} , R _{B3}	1kΩ	1%	1/4 Watt	
R _{F1} , R _{F2} , R _{F3}	20kΩ	1%	1/4 Watt	
R _{i1} , R _{i2} , R _{i3}	1kΩ	1%	1/4 Watt	
R _{SN1} , R _{SN2} , R _{SN3}	4.7Ω	5%	1/4 Watt	
R _G	2.7Ω	5%	1/4 Watt	
R _V	5.1kΩ	5%	1/4 Watt	
C _{IN1} , C _{IN2} , C _{IN3}	1μF	10%	Metallized Polyester Film	
C _{N1} , C _{N2} , C _{N3}	15pF	20%	Monolithic Ceramic	
C _{i1} , C _{i2} , C _{i3}	68μF	20%	Electrolytic Radial / 35V	
C _{SN1} , C _{SN2} , C _{SN3}	0.1μF	20%	Monolithic Ceramic	
C _V	0.1μF	20%	Monolithic Ceramic	
C _{S1} , C _{S2}	0.1μF	20%	Monolithic Ceramic	
C _{S3} , C _{S4}	10μF	20%	Electrolytic Radial /35V	
C _{S5} , C _{S6}	2,200μF	20%	Electrolytic Radial / 35V	
S ₁ , S ₂			SPDT (on-on) Switch	
J ₁ , J ₂ , J ₃			Non-Switched PC Mount RCA Jack	
J ₅ , J ₇ , J ₉ , J ₁₁			PCB Banana Jack - BLACK	
J ₄ , J ₆ , J ₈ , J ₁₀ , J ₁₂			PCB Banana Jack - RED	
V _{ZD}	5.1V		1W Zener Diode	
U ₁			27 lead TO-220 Power Socket with push release lever or LM4734 IC	

Physical Dimensions inches (millimeters)

unless otherwise noted



TA27A (Rev B)

Non-Isolated TO-220 27-Lead Package
Order Number LM4734TA
NS Package Number TA27A

LIFE SUPPORT POLICY

NATIONAL'S PRODUCTS ARE NOT AUTHORIZED FOR USE AS CRITICAL COMPONENTS IN LIFE SUPPORT DEVICES OR SYSTEMS WITHOUT THE EXPRESS WRITTEN APPROVAL OF THE PRESIDENT AND GENERAL COUNSEL OF NATIONAL SEMICONDUCTOR CORPORATION. As used herein:

1. Life support devices or systems are devices or systems which, (a) are intended for surgical implant into the body, or (b) support or sustain life, and whose failure to perform when properly used in accordance with instructions for use provided in the labeling, can be reasonably expected to result in a significant injury to the user.
2. A critical component is any component of a life support device or system whose failure to perform can be reasonably expected to cause the failure of the life support device or system, or to affect its safety or effectiveness.

BANNED SUBSTANCE COMPLIANCE

National Semiconductor certifies that the products and packing materials meet the provisions of the Customer Products Stewardship Specification (CSP-9-111C2) and the Banned Substances and Materials of Interest Specification (CSP-9-111S2) and contain no "Banned Substances" as defined in CSP-9-111S2.



National Semiconductor
Americas Customer
Support Center
 Email: new.feedback@nsc.com
 Tel: 1-800-272-9959

www.national.com

National Semiconductor
Europe Customer Support Center
 Fax: +49 (0) 180-530 85 86
 Email: europe.support@nsc.com
 Deutsch Tel: +49 (0) 69 9508 6208
 English Tel: +44 (0) 870 24 0 2171
 Français Tel: +33 (0) 1 41 91 8790

National Semiconductor
Asia Pacific Customer
Support Center
 Email: ap.support@nsc.com

National Semiconductor
Japan Customer Support Center
 Fax: 81-3-5639-7507
 Email: jpn.feedback@nsc.com
 Tel: 81-3-5639-7560

www.DataSheet4U.com