



深圳市拓普微科技开发有限公司

SHENZHEN TOPWAY TECHNOLOGY CO., LTD.

# LM6063HFW

## LCD Module User Manual

Prepared by:  Lin  Date:2010-6-4	Checked by:    Date:	Approved by:    Date:
--	----------------------------------	-----------------------------------

Rev.	Descriptions	Release Date
0.1	Preliminary release	2009-10-29
0.2	Add Terminal Definition and Interface setting	2010-6-4

**Table of Content**

<b>1. Basic Specifications .....</b>	<b>3</b>
1.1 Display Specifications .....	3
1.2 Mechanical Specifications .....	3
1.3 Block Diagram .....	3
1.4 Terminal Functions .....	4
<b>2. Absolute Maximum Ratings .....</b>	<b>5</b>
<b>3. Electrical Characteristics .....</b>	<b>5</b>
3.1 DC Characteristics .....	5
3.2 LED Backlight Circuit Characteristics .....	5
3.3 AC Characteristics .....	6
<b>4. Function specifications .....</b>	<b>9</b>
4.1 Basic Setting .....	9
4.2 Resetting the LCD module .....	9
4.3 Display Memory Map .....	10
4.4 Display Commands .....	11
4.5 Display Commands (continue) .....	12
<b>5. Design and Handling Precaution .....</b>	<b>13</b>

# 1. Basic Specifications

## 1.1 Display Specifications

- 1) LCD Display Mode : STN, Negative, Transmissive
- 2) Display Color : Display Data = "0" : Dark Blue(\*1)  
: Display Data = "1" : Light Gray (\*2)
- 3) Viewing Angle : 6H
- 4) Driving Method : 1/65 duty, 1/9 bias
- 5) Backlight : White LED backlight

Note:

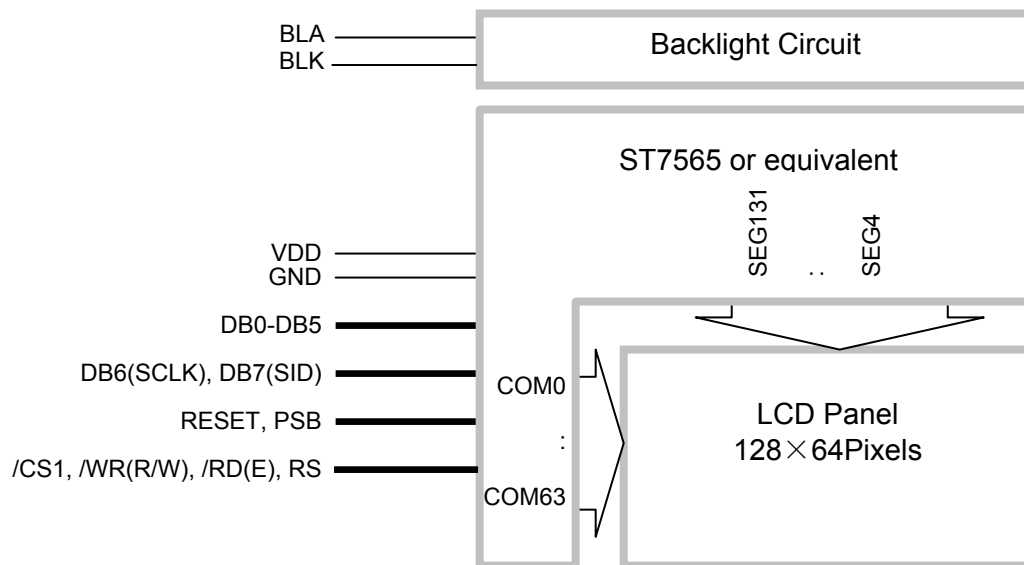
\*1. Color tone may slightly change by Temperature and Driving Condition.

\*2. The Color is defined as the inactive / background color

## 1.2 Mechanical Specifications

- 1) Outline Dimension : 93.0 x 70.0 x 10.1MAX (mm)  
(See attached Outline Drawing for details)

## 1.3 Block Diagram



**1.4 Terminal Functions**

K3 Pin No.	K1 Pin No.	PIN Name	I/O	Descriptions(PSB=H)		Descriptions(PSB=L)
				8080 mode	6800 mode	SPI mode
1	1	VSS	Power	Negative power supply,0V		
10	2	VDD	Power	Positive power supply		
3	3	NC	/	/		
6	4	RS	Input	Register Select RS = H, Transferring the Display Data RS = L, Transferring the Control Data		
/	5	/WR(R/W)	Input	/WR=L→H, /RD=H; Data or Instruction latch into the LCD module	R/W=H,E=H; Data or Status read from the LCD module	Not used, connect to VDD
/	6	/RD(E)	Input	/WR=H, /RD=L; Data or Status read form the LCD module	R/W=L,E=H→L; Data or Status latch into the LCD module	
/	7	DB0	I/O	8-bit Data bus; Three state I/O terminal for display data or instruction data when /CS=H, DB0~DB7=High Impedance		DB5-DB0 connect to VDD
/	:	:	:			
/	12	DB5	I/O			
2	13	DB6(SCL)	I/O			Serial clock input
5	14	DB7(SI)	I/O			Serial data input
/	15	PSB	Input	Parallel or SPI setting PSB=H, Parallel(8080 or 6800) mode PSB=L, SPI mode(Default)		
7	16	/CS	Input	Chip Select /CS=L, enable access to the LCD module /CS=H, disable access to the LCD module		
8	17	/RESET	Input	Reset signal /RESET = L, Initialization is executed /RESET = H, Normal running.		
9	18	NC	/	/		
4	19	BLA	Power	Positive power for LED backlight		
/	20	BLK	Power	Negative power for LED backlight		

**Interface setting:**

Setting	8080 mode	6800 mode	SPI mode(Default)*
JP1	OPEN	CLOSE	OPEN
JP2	CLOSE	CLOSE	OPEN
JP4	CLOSE	OPEN	CLOSE
JP5	OPEN	OPEN	CLOSE

\*Note: SPI Interface Setting on K1 Terminal: PSB=L, use SPI Interface.

## 2. Absolute Maximum Ratings

Items	Symbol	Min.	Max.	Unit	Condition
Supply Voltage	$V_{DD}$	-0.3	+3.4	V	$V_{SS} = 0V$
Input Voltage	$V_{IN}$	-0.3	$V_{DD}+0.3$	V	$V_{SS} = 0V$
Operating Temperature	$T_{OP}$	-20	+70	°C	No Condensation
Storage Temperature	$T_{ST}$	-30	+80	°C	No Condensation

Cautions:

Any Stresses exceeding the Absolute Maximum Ratings may cause substantial damage to the device. Functional operation of this device at other conditions beyond those listed in the specification is not implied and prolonged exposure to extreme conditions may affect device reliability.

## 3. Electrical Characteristics

### 3.1 DC Characteristics

$V_{SS}=0V, V_{DD}=3.3V, T_{OP}=25^{\circ}C$

Items	Symbol	MIN.	TYP.	MAX.	Unit	Condition / Application Pin
Operating Voltage	$V_{DD}$	2.9	3.3	3.4	V	VDD
Input High Voltage	$V_{IH}$	$0.8 \times V_{DD}$	-	$V_{DD}$	V	/RES, /CS1, A0, SI,
Input Low Voltage	$V_{IL}$	$V_{SS}$	-	$0.2 \times V_{DD}$	V	SCL
Operating Current	$I_{DD}$	-	0.36	1.8	mA	VDD

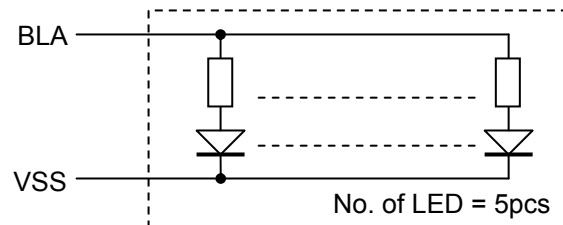
### 3.2 LED Backlight Circuit Characteristics

$V_{SS}=0V, I_{f_{BLA}}=85mA, T_{OP}=25^{\circ}C$

Items	Symbol	MIN.	TYP.	MAX.	Unit	Applicable Pin
Forward Voltage	$V_{f_{BLA}}$	-	3.3	-	V	BLA
Forward Current	$I_{f_{BLA}}$	-	85	100	mA	BLA

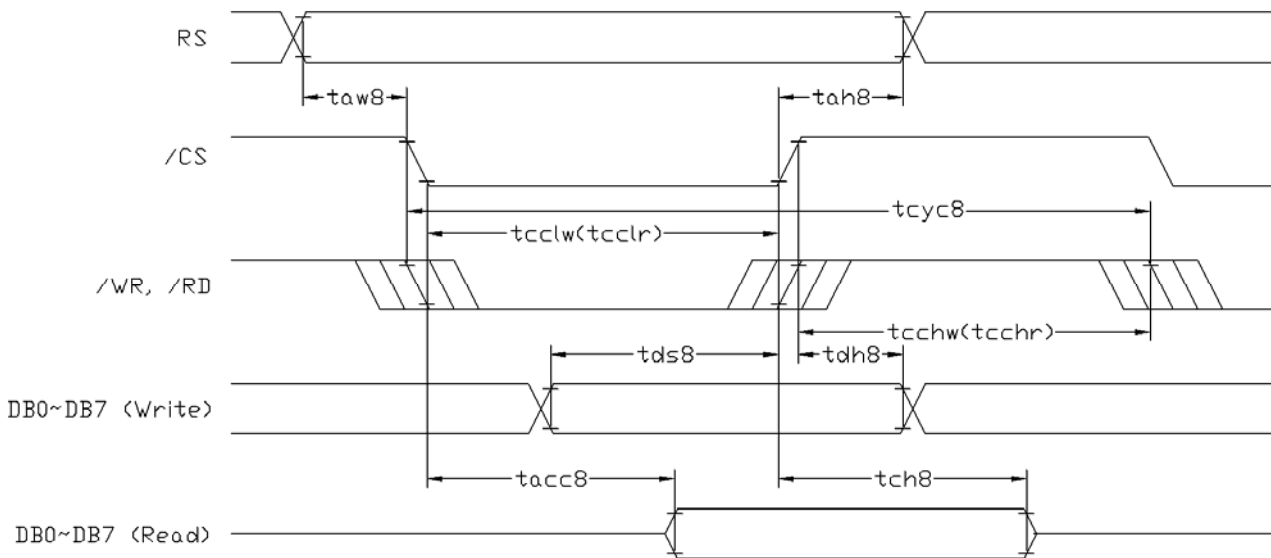
Cautions:

Exceeding the recommended driving current could cause substantial damage to the backlight and shorten its lifetime.



**3.3 AC Characteristics**

**3.3.1 8080 Mode System Bus Timing**



$V_{SS}=0V, V_{DD}=3.3V, T_{OP}=25^{\circ}C$

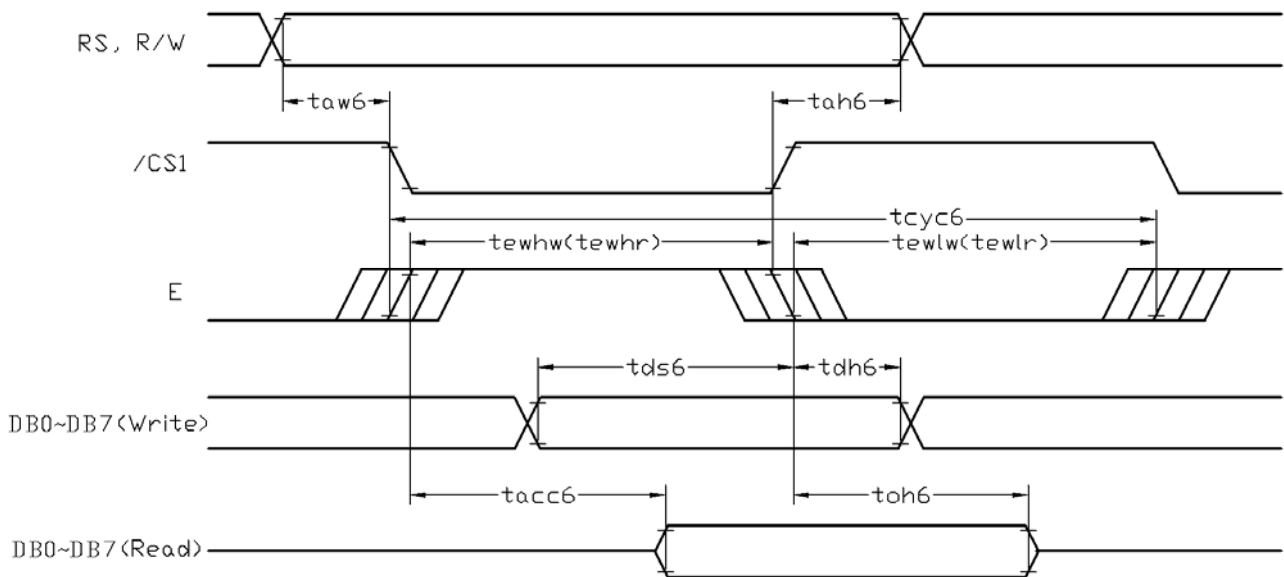
Item	Symbol	MIN.	TYP.	MAX.	Unit
System cycle time	tcyc8	342	-	-	ns
Address setup time (RS)	taw8	10	-	-	ns
Address hold time (RS)	tah8	10	-	-	ns
Control LOW pulse width (/WR)	tcclw	114	-	-	ns
Control LOW pulse width (/RD)	tcclr	200	-	-	ns
Control HIGH pulse width (/WR)	tcchw	114	-	-	ns
Control HIGH pulse width (/RD)	tcchr	114	-	-	ns
Data setup time	tds8	57	-	-	ns
Data hold time	tdh8	10	-	-	ns
/RD access time (*2)	tacc8	-	-	100	ns
Output disable time (*2)	tch8	7	-	71	ns

Note:

\*1. Input signal rise/fall time should be less than 15ns

\*2. CL=100pF

**3.3.2 6800 Mode System Bus Timing**



$V_{SS}=0V, V_{DD}=3.3V, T_{OP}=25^{\circ}C$

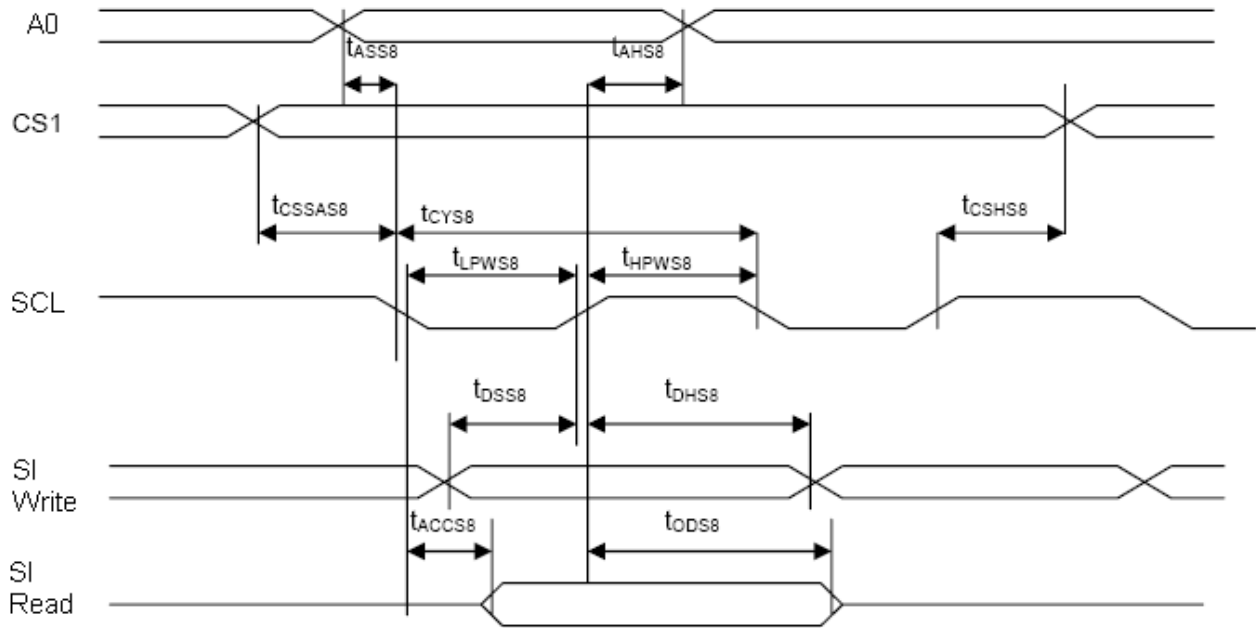
Item	Symbol	MIN.	TYP.	MAX.	Unit
System cycle time	tcyc6	342	-	-	ns
Address setup time (RS)	taw6	10	-	-	ns
Address hold time (RS)	tah6	10	-	-	ns
Control LOW pulse width (E)	tewlr	114	-	-	ns
Control LOW pulse width (R/W)	tewlw	114	-	-	ns
Control HIGH pulse width (E)	tewhr	200	-	-	ns
Control HIGH pulse width (R/W)	tewhw	114	-	-	ns
Data setup time	tds6	57	-	-	ns
Data hold time	tdh6	10	-	-	ns
/RD access time (*2)	tacc6	-	-	100	ns
Output disable time (*2)	toh6	7	-	71	ns

Note:

\*1. Input signal rise/fall time should be less than 15ns

\*2. CL=100pF

3.3.3 SPI Mode System Bus Timing



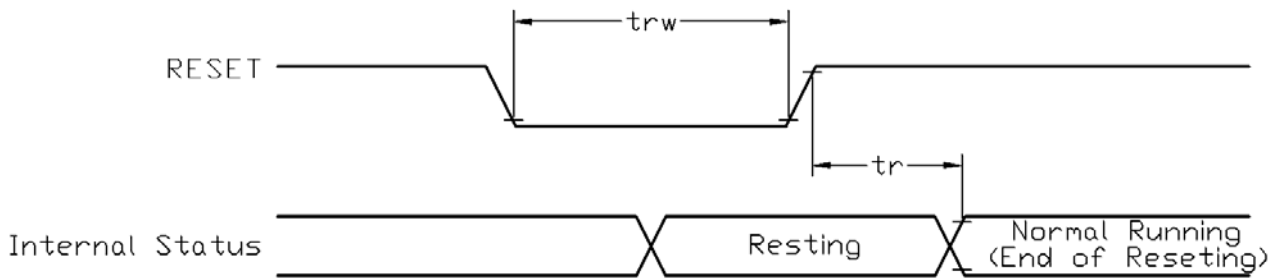
V<sub>SS</sub>=0V, V<sub>DD</sub>=3.0V, T<sub>OP</sub>=25°C

Item	Symbol	MIN.	TYP.	MAX.	Unit
System cycle time	tcys8	36	-	-	ns
Address setup time (A0)	tass8	0	-	-	ns
Address hold time (A0)	tahs8	0	-	-	ns
Control LOW pulse width (SCL)	tlpws8	20	-	-	ns
Control HIGH pulse width (SCL)	thpws8	20	-	-	ns
Data setup time	tdss8	20	-	-	ns
Data hold time	tdhs8	0	-	-	ns
Read access time (*2)	taccs8	-	-	60	ns
Output disable time (*2)	tods8	15	-	-	ns

Note:

- \*1. Input signal rise/fall time should be less than 15ns .
- \*2. CL=100pF
- \*3.All timing is using 20% and 80% of VDD as the reference.

3.3.2 Reset Timing



V<sub>SS</sub>=0V, V<sub>DD</sub>=3.0V, T<sub>OP</sub>=25°C

Item	Symbol	MIN.	TYP.	MAX.	Unit
Reset time	tr	10	-	-	ms
Reset LOW pulse width	trw	3	-	-	μs

Note:

- \*1.All timing is using 20% and 80% of VDD as the reference.



## 4. Function specifications

### 4.1 Basic Setting

To drive the LCD module correctly and provide normally display, please use the following setting

- ADC = 1 (reverse)
- SHL select = 0 (normal)
- LCD Bias Select = 1/9
- Initial Display Line = 0
- Entire Display ON/OFF = OFF (normal)
- Reverse Display ON/OFF = OFF (normal)
- Set Power Control Set:
  - voltage follower = ON, voltage converter = ON, voltage regulator = ON
- Display ON/OFF = ON

Note:

\*1. These setting/commands should issue the LCD module while start up.

\*2. See the Display Commands section for details.

### 4.2 Resetting the LCD module

The LCD module should be initialized by using /RESET terminal.

While turning on the VDD and VSS power supply, maintain /RESET terminal at LOW level. After the power supply stabilized, release the reset terminal (RESET=HIGH)

**4.3 Display Memory Map**

Page address	data	LCD Display (front view)	
0	D0 : D7	128x64 pixels	
1	D0 : D7		
2	D0 : D7		
3	D0 : D7		
4	D0 : D7		
5	D0 : D7		
6	D0 : D7		
7	D0 : D7		
Column Address		00h	→ 7Fh

Note:

- \*1. ADC = 1 (reverse)
- \*2. SHL Selection = 0 (normal)
- \*3. Initial Display Line = 0

**4.4 Display Commands**

No.	Instructions	Code											Function
		a0	/RD	/WR	D7	D6	D5	D4	D3	D2	D1	D0	
1	Display ON/OFF	0	1	0	1	0	1	0	1	1	1	DON	DON=0, display off DON=1, display on
2	Display start line set	0	1	0	0	1	Display start address						Sets the display RAM display start line address
3	Set Page Address	0	1	0	1	0	1	1	Page Address				Set the display RAM page address
4	Set Column Address (Upper-4-bits)	0	1	0	0	0	0	1	Col. Add. Upper				Set the upper-4-bit of column address counter
	Set Column Address (Lower-4-bits)	0	1	0	0	0	0	0	Col. Add. Lower				Set the lower-4-bit of column address counter
5	Read Status	0	0	1	Status				0	0	0	0	Read the status data
6	Write Display Data	1	1	0	Write Data								Write data into the display RAM
7	Read Display Data	1	0	1	Read Data								Read data form the display RAM
8	ADC Select	0	1	0	1	0	1	0	0	0	0	ADC	Sets the display RAM address SEG output correspondence ADC= 0,normal . ADC=1, reverse
9	Normal/Reverse Display	0	1	0	1	0	1	0	0	1	1	REV	REV=0, Normal display REV=1, Reverse display
10	Entire Display ON/OFF	0	1	0	1	0	1	0	0	1	0	EON	EON=0, Normal display EON=1, Entire display ON
11	Set LCD Bias	0	1	0	1	0	1	0	0	0	1	BIAS	Set the LCD driving voltage bias BIAS=0, 1/9 BIAS BIAS=1, 1/7 BIAS
12	Set Read-Modify-Write	0	1	0	1	1	1	0	0	0	0		Enter the "Read-Modify-Write" mode column address counter will increase in each "Write Display Data", and will not increase in each "Read Display Data command"
13	Reset Read-Modify-Write	0	1	0	1	1	1	0	1	1	1	0	Clear the "Read-Modify-Write" mode
14	Reset	0	1	0	1	1	1	0	0	0	1	0	Resets the LCD module
15	SHL Select	0	1	0	1	1	0	0	SHL	*	*	*	Set the COM scanning direction SHL=0, Normal display SHL=1, Flipped in y direction * = don't care terms
16	Power Control Set	0	1	0	0	0	1	0	1	VC	VR	VF	Set the power circuit operation mode VF: LCD Supply Voltage Follower VR: LCD Supply Voltage Regulator VC: LCD Supply Voltage Converter (1=ON, 0=OFF)
17	Regulator Resistor Select	0	1	0	0	0	1	0	0	Radio setting			Set the built-in resistor ratio (Rb/Ra)

**4.5 Display Commands (continue)**

No.	Instructions	Code										Function	
		A0	/RD	/WR	D7	D6	D5	D4	D3	D2	D1		D0
18	Electronic volume mode set	0	1	0	1	0	0	0	0	0	0	1	Set reference voltage mode
	Electronic volume register set	0	1	0	*	*	Electronic Control value					Set reference voltage register (Display contrast value)	
19	Sleep Mode Set	0	1	0	1	0	1	0	1	1	0	S	Sleep Mode (2 byte command) S=0, sleep mode S=1, normal mode
		0	1	0	0	0	0	0	0	0	0	0	
20	Booster Ratio Set	0	1	0	1	1	1	1	1	0	0	0	Booster Ratio (2 byte command) Ratio=00, 2x, 3x, 4x
		0	1	0	0	0	0	0	0	0	Ratio		Ratio=01, 5x Ratio=11, 6x
21	NOP	0	1	0	1	1	1	0	0	0	1	1	Non-operation command

Note: \*1. Do not use any other command not listed, or the system malfunction may result.  
\*2. For the details of the Display Commands, please refer to ST7565R data sheet.

**4.5.1 Power off the LCD Module**

It recommends that enter Sleep Mode before power off the LCD module.

**4.5.2 Refreshing The LCD Module**

It recommends that the operating modes and display contents be refreshed periodically to prevent the effect of unexpected noise.

## 5. Design and Handling Precaution

1. The LCD panel is made by glass. Any mechanical shock (eg. dropping from high place) will damage the LCD module.
2. Do not add excessive force on the surface of the display, which may cause the Display color change abnormally.
3. The polarizer on the LCD is easily get scratched. If possible, do not remove the LCD protective film until the last step of installation.
4. Never attempt to disassemble or rework the LCD module.
5. Only Clean the LCD with Isopropyl Alcohol or Ethyl Alcohol. Other solvents (eg. water) may damage the LCD.
6. When mounting the LCD module, make sure that it is free from twisting, warping and distortion.
7. Ensure to provide enough space (with cushion) between case and LCD panel to prevent external force adding on it, or it may cause damage to the LCD or degrade the display result.
8. Only hold the LCD module by its side. Never hold LCD module by add force on the heat seal or TAB.
9. Never add force to component of the LCD module. It may cause invisible damage or degrade of the reliability.
10. LCD module could be easily damaged by static electricity. Be careful to maintain an optimum anti-static work environment to protect the LCD module.
11. When peeling off the protective film from LCD, static charge may cause abnormal display pattern. It is normal and will resume to normal in a short while.
12. Take care and prevent get hurt by the LCD panel sharp edge.
13. Never operate the LCD module exceed the absolute maximum ratings.
14. Keep the signal line as short as possible to prevent noisy signal applying to LCD module.
15. Never apply signal to the LCD module without power supply.
16. IC chip (eg. TAB or COG) is sensitive to the light. Strong lighting environment could possibly cause malfunction. Light sealing structure casing is recommend.
17. LCD module reliability may be reduced by temperature shock.
18. When storing the LCD module, avoid exposure to the direct sunlight, high humidity, high temperature or low temperature. They may damage or degrade the LCD module