

## LM723JAN Voltage Regulator

 Check for Samples: [LM723JAN](#)

### FEATURES

- 150 mA Output Current without External Pass Transistor
- Output Currents in Excess of 10A Possible by Adding External Transistors
- Input Voltage 40V Max
- Output Voltage Adjustable from 2V to 37V
- Can be Used as Either a Linear or a Switching Regulator

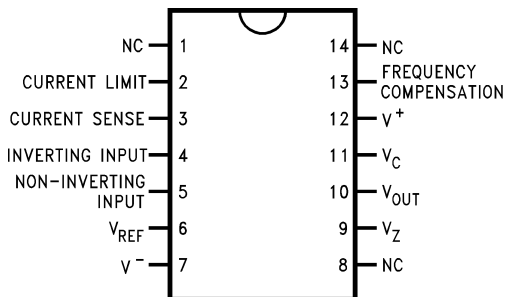
### DESCRIPTION

The LM723 is a voltage regulator designed primarily for series regulator applications. By itself, it will supply output currents up to 150 mA; but external transistors can be added to provide any desired load current. The circuit features extremely low standby current drain, and provision is made for either linear or foldback current limiting.

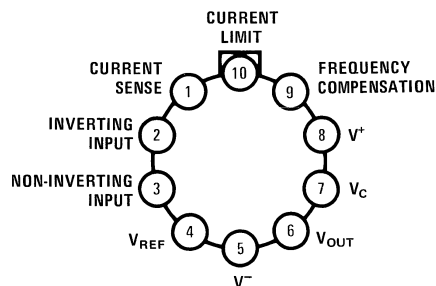
The LM723 is also useful in a wide range of other applications such as a shunt regulator, a current regulator or a temperature controller.

### Connection Diagram

NOTE: Pin 5 connected to case.



**Figure 1. CDIP Package  
Top View  
See Package J0014A**



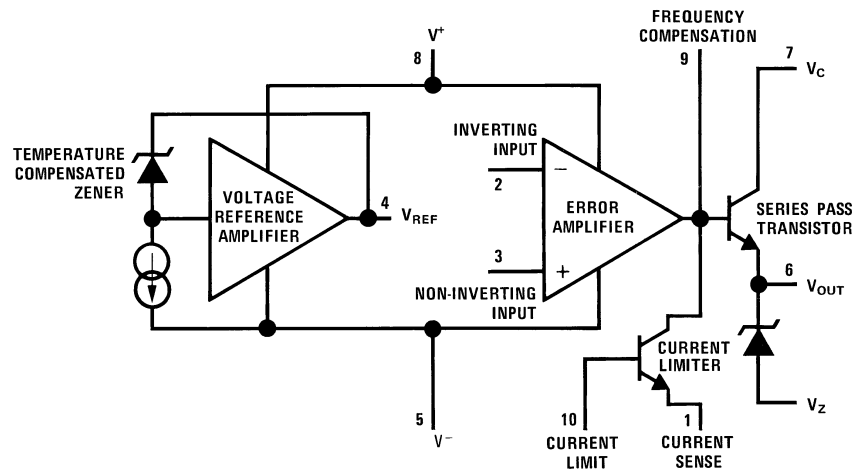
**Figure 2. Metal Can Package  
Top View  
See Package LME0010C**



Please be aware that an important notice concerning availability, standard warranty, and use in critical applications of Texas Instruments semiconductor products and disclaimers thereto appears at the end of this data sheet.

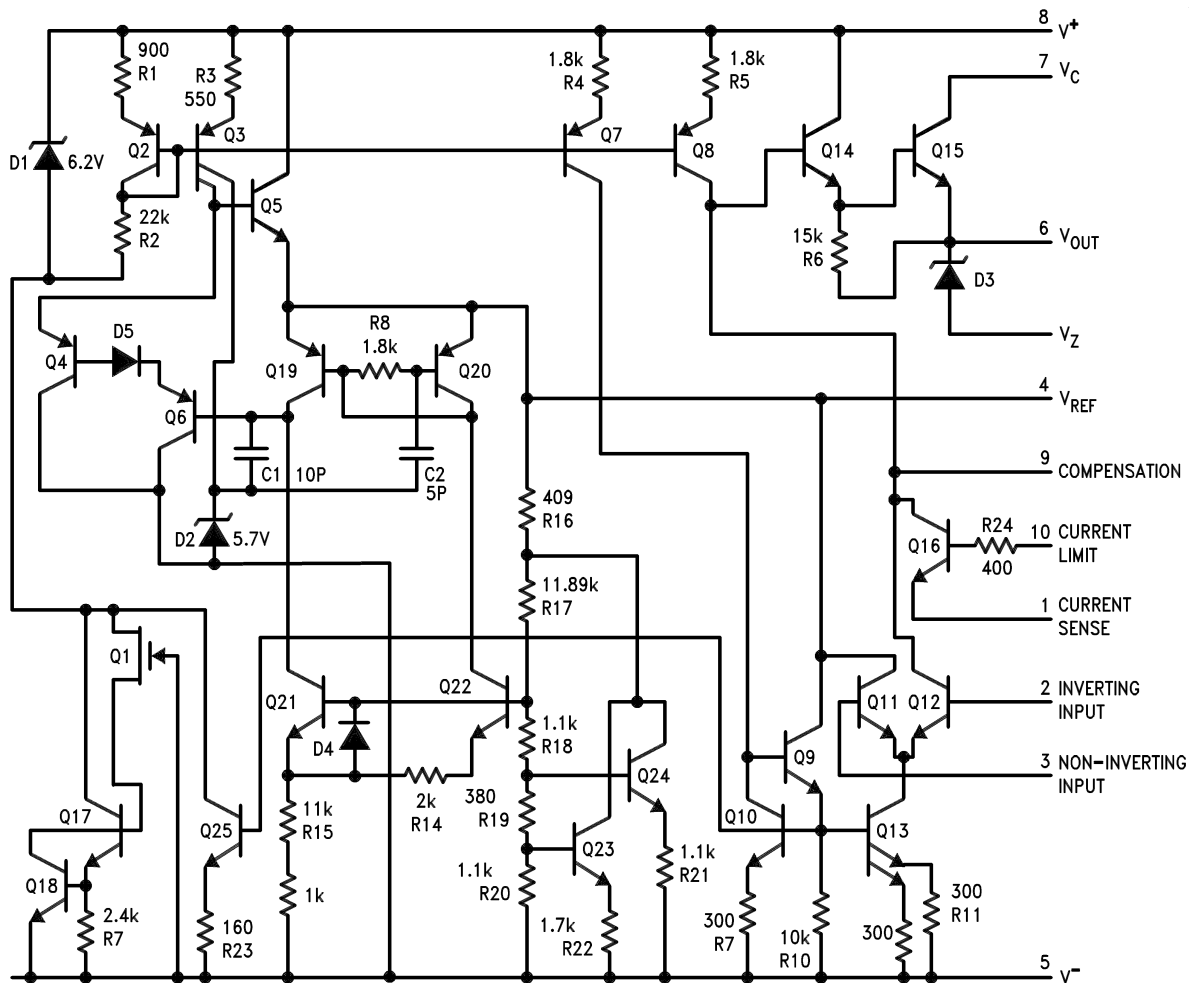
All trademarks are the property of their respective owners.

### Equivalent Circuit



Pin numbers refer to metal can package.

### Schematic Diagram





These devices have limited built-in ESD protection. The leads should be shorted together or the device placed in conductive foam during storage or handling to prevent electrostatic damage to the MOS gates.

### Absolute Maximum Ratings<sup>(1)</sup>

Pulse Voltage from $V^+$ to $V^-$ (50 ms)		50V
Continuous Voltage from $V^+$ to $V^-$		40V
Input-Output Voltage Differential		40V
Differential Input Voltage		$\pm 5V$
Voltage between non-inverting input and $V^-$		+8V
Current from $V_Z$		25 mA
Current from $V_{REF}$		15 mA
Internal Power Dissipation ( $T_A = 125^\circ C$ )	Metal Can <sup>(2)</sup>	300 mW
	CDIP <sup>(2)</sup>	400 mW
Maximum $T_J$		+175°C
Storage Temperature Range		$-65^\circ C \leq T_A \leq +150^\circ C$
Lead Temperature (Soldering, 4 sec. max.)		300°C
Thermal Resistance		
$\theta_{JA}$	CDIP (Still Air)	100°C/W
	CDIP (500LF/ Min Air flow)	61°C/W
	Metal Can (Still Air)	156°C/W
	Metal Can (500LF/ Min Air flow)	89°C/W
$\theta_{JC}$	CDIP	22°C/W
	Metal Can	37°C/W
ESD Tolerance <sup>(3)</sup>		1200V

- (1) "Absolute Maximum Ratings" indicate limits beyond which damage to the device may occur. Operating Ratings indicate conditions for which the device is functional, but do not ensure specific performance limits. For ensured specifications and test conditions, see the Electrical Characteristics. The ensured specifications apply only for the test conditions listed. Some performance characteristics may degrade when the device is not operated under the listed test conditions.
- (2) The maximum power dissipation for these devices must be derated at elevated temperatures and is dictated by  $T_{JMAX}$ ,  $\theta_{JA}$ , and the ambient temperature,  $T_A$ . The maximum available power dissipation at any temperature is  $P_d = (T_{JMAX} - T_A)/\theta_{JA}$  or the number given in the Absolute Maximum Ratings, whichever is less. See derating curves for maximum power rating above 25°C.
- (3) Human body model, 1.5 k $\Omega$  in series with 100 pF.

### Recommended Operating Conditions

Input Voltage Range	9.5V to 40V <sub>DC</sub>
Output Voltage Range	2V to 37V <sub>DC</sub>
Input-Output Voltage Differential	2.5 V to 38V <sub>DC</sub>
Ambient Operating Temperature Range	$-55^\circ C \leq T_A \leq +125^\circ C$

### Quality Conformance Inspection

MIL-STD-883, Method 5004 and Method 5005

Subgroup	Description	Temp ( °C)
1	Static tests at	+25
2	Static tests at	+125
3	Static tests at	-55
4	Dynamic tests at	+25
5	Dynamic tests at	+125
6	Dynamic tests at	-55
7	Functional tests at	+25
8A	Functional tests at	+125
8B	Functional tests at	-55

Subgroup	Description	Temp ( °C)
9	Switching tests at	+25
10	Switching tests at	+125
11	Switching tests at	-55

## Electrical Characteristics

### DC Parameters <sup>(1)</sup>

Symbol	Parameter	Conditions	Notes	Min	Max	Units	Sub-groups		
V <sub>Rline</sub>	Line Regulation	12V ≤ V <sub>IN</sub> ≤ 15V, V <sub>OUT</sub> = 5V, I <sub>L</sub> = 1mA		-0.1	0.1	%V <sub>OUT</sub>	1		
				-0.2	0.2	%V <sub>OUT</sub>	2		
				-0.3	0.3	%V <sub>OUT</sub>	3		
			12V ≤ V <sub>IN</sub> ≤ 40V, V <sub>OUT</sub> = 2V, I <sub>L</sub> = 1mA		-0.2	0.2	%V <sub>OUT</sub>	1	
				9.5V ≤ V <sub>IN</sub> ≤ 40V, V <sub>OUT</sub> = 5V, I <sub>L</sub> = 1mA		-0.3	0.3	%V <sub>OUT</sub>	1
					12V ≤ V <sub>IN</sub> ≤ 15V, V <sub>OUT</sub> = 5V, I <sub>L</sub> = 1mA		-10. 0	+10. 0	mV
						-20. 0	+20. 0	mV	2
			-30. 0	+30. 0		mV	3		
V <sub>Rload</sub>	Load Regulation	1mA ≤ I <sub>L</sub> ≤ 50mA, V <sub>IN</sub> = 12V, V <sub>OUT</sub> = 5V		-0.1 5	0.15	%V <sub>OUT</sub>	1		
				-0.4	0.4	%V <sub>OUT</sub>	2		
				-0.6	0.6	%V <sub>OUT</sub>	3		
			1mA ≤ I <sub>L</sub> ≤ 10mA, V <sub>IN</sub> = 40V, V <sub>OUT</sub> = 37V		-0.5	0.5	%V <sub>OUT</sub>	1	
				6mA ≤ I <sub>L</sub> ≤ 12mA, V <sub>IN</sub> = 10V, V <sub>OUT</sub> = 7.5V		-0.2	0.2	%V <sub>OUT</sub>	1
					1mA ≤ I <sub>L</sub> ≤ 50mA, V <sub>IN</sub> = 12V, V <sub>OUT</sub> = 5V		-15. 0	+15. 0	mV
						-40. 0	+40. 0	mV	2
			-60. 0	+60. 0		mV	3		
V <sub>REF</sub>	Voltage Reference	I <sub>REF</sub> = 1mA, V <sub>IN</sub> = 12V		6.95	7.35	V	1		
				6.9	7.4	V	2, 3		
I <sub>SCD</sub>	Standby Current	V <sub>IN</sub> = 30V, I <sub>L</sub> = I <sub>REF</sub> = 0, V <sub>OUT</sub> = V <sub>REF</sub>		0.5	3	mA	1		
				0.5	2.4	mA	2		
				0.5	3.5	mA	3		
I <sub>OS</sub>	Short Circuit Current	V <sub>OUT</sub> = 5V, V <sub>IN</sub> = 12V, R <sub>SC</sub> = 10Ω, R <sub>L</sub> = 0		45	85	mA	1		
V <sub>Z</sub>	Zener Voltage	I <sub>Z</sub> = 1mA		(2)(3) 5.58	6.82	V	1		
V <sub>OUT</sub>	Output Voltage	V <sub>IN</sub> = 12V, V <sub>OUT</sub> = 5V, I <sub>L</sub> = 1mA	(4)	4.5	5.5	V	1, 2, 3		

(1) Unless otherwise specified, T<sub>A</sub> = 25°C, V<sub>IN</sub> = V<sup>+</sup> = V<sub>C</sub> = 12V, V<sup>-</sup> = 0, V<sub>OUT</sub> = 5V, I<sub>L</sub> = 1 mA, R<sub>SC</sub> = 0, C<sub>1</sub> = 100 pF, C<sub>REF</sub> = 0 and divider impedance as seen by error amplifier ≤ 10 kΩ connected as shown in Figure 14. Line and load regulation specifications are given for the condition of constant chip temperature. Temperature drifts must be taken into account separately for high dissipation conditions.

(2) For metal can applications where V<sub>Z</sub> is required, an external 6.2V zener diode should be connected in series with V<sub>OUT</sub>.

(3) Tested for 14 – lead DIP only.

(4) Setup test for Temp. Coeff.

## Electrical Characteristics (continued)

### DC Parameters <sup>(1)</sup>

Symbol	Parameter	Conditions	Notes	Min	Max	Units	Sub-groups
Delta $V_{OUT}$ / Delta T	Average Temperature Coefficient of Output Voltage	$25^{\circ}\text{C} \leq T_A \leq +125^{\circ}\text{C}$ , $V_{IN} = 12\text{V}$ , $V_{OUT} = 5\text{V}$ , $I_L = 1\text{mA}$	(5)	-0.0 1	0.01	%/°C	8A
		$-55^{\circ}\text{C} \leq T_A \leq +25^{\circ}\text{C}$ , $V_{IN} = 12\text{V}$ , $V_{OUT} = 5\text{V}$ , $I_L = 1\text{mA}$	(5)	-0.0 15	0.01 5	%/°C	8B
Delta $V_{OUT}$ / Delta $V_{IN}$	Ripple Rejection	$f = 10\text{KHz}$ , $C_{REF} = 0\text{F}$ , $V_{INS} = 2V_{RMS}$		64		dB	4
		$f = 10\text{KHz}$ , $C_{REF} = 5\mu\text{F}$ , $V_{INS} = 2V_{RMS}$		76		dB	4
$N_O$	Output Noise Voltage	$100\text{Hz} \leq f \leq 10\text{KHz}$ , $V_{INS} = 0V_{RMS}$ , $C_{REF} = 0\mu\text{F}$			120	$\mu\text{V}_{RMS}$	4
		$100\text{Hz} \leq f \leq 10\text{KHz}$ , $V_{INS} = 0V_{RMS}$ , $C_{REF} = 5\mu\text{F}$			7	$\mu\text{V}_{RMS}$	4
Delta $V_{OUT}$ / Delta $V_{IN}$	Line Transient Response	$V_{IN} = 12\text{V}$ , $V_{OUT} = 5\text{V}$ , $I_L = 1\text{mA}$ , $C_{REF} = 5\mu\text{F}$ , $R_{SC} = 0\Omega$ , Delta $V_{IN} = 3\text{V}$ for $25\mu\text{sec}$		0	10	mV/V	4
Delta $V_{OUT}$ / Delta $I_L$	Load Transient Response	$V_{IN} = 12\text{V}$ , $V_{OUT} = 5\text{V}$ , $I_L = 40\text{mA}$ , $C_{REF} = 5\mu\text{F}$ , $R_{SC} = 0\Omega$ , Delta $I_L = 10\text{mA}$ for $25\mu\text{sec}$		-1.5	0	mV/mA	4

(5) Calculated parameter

### DC Parameters: Drift Values

Delta calculations performed on JAN S and QMLV devices at Group B, Subgroup 5, only.

Symbol	Parameters	Conditions	Notes	Min	Max	Unit	Sub-groups
$V_{Rline}$	Line Regulation	$12\text{V} \leq V_{IN} \leq 15\text{V}$ , $V_{OUT} = 5\text{V}$ , $I_L = 1\text{mA}$ , $\pm 1\text{mV}$ , or $\pm 15\%$ (whichever is greater)		-1.0	1.0	mV	1
$V_{Rload}$	Load Regulation	$1\text{mA} \leq I_L \leq 50\text{mA}$ , $V_{IN} = 12\text{V}$ , $V_{OUT} = 5\text{V}$ , $\pm 1\text{mV}$ , or $\pm 20\%$ (whichever is greater)		-1.0	1.0	mV	1
$V_{REF}$	Reference Voltage	$I_{REF} = 1\text{mA}$ , $V_{IN} = 12\text{V}$		-15	15	mV	1
$I_{SCD}$	Standby Current Drain	$V_{IN} = 30\text{V}$ , $I_L = I_{REF} = 0$ , $V_{OUT} = V_{REF}$		-10	10	%	1

Typical Performance Characteristics

Load Regulation Characteristics with Current Limiting

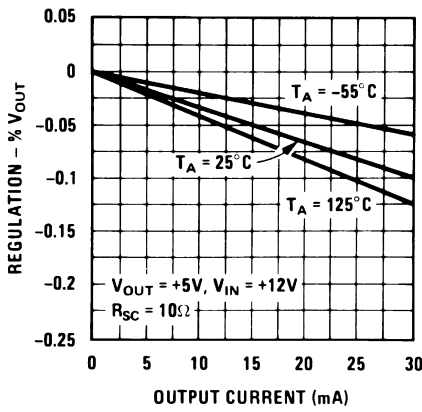


Figure 3.

Load Regulation Characteristics with Current Limiting

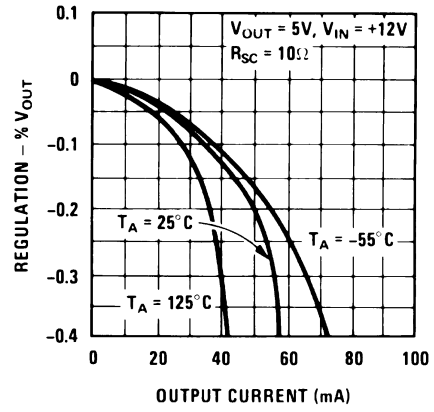


Figure 4.

Load & Line Regulation vs Input-Output Voltage Differential

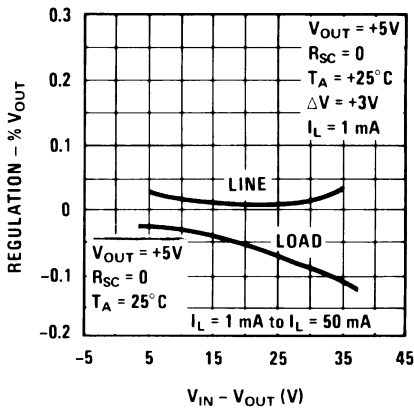


Figure 5.

Current Limiting Characteristics

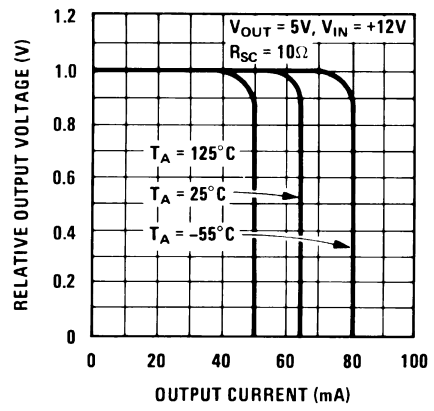


Figure 6.

Current Limiting Characteristics vs Junction Temperature

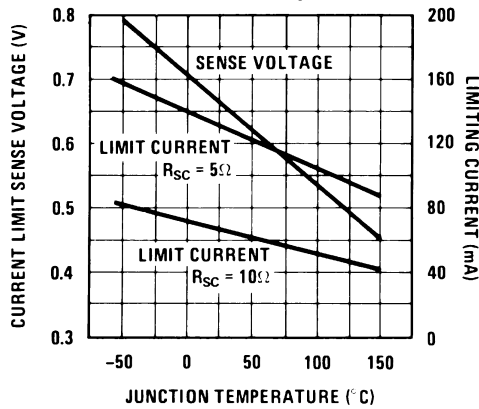


Figure 7.

Standby Current Drain vs Input Voltage

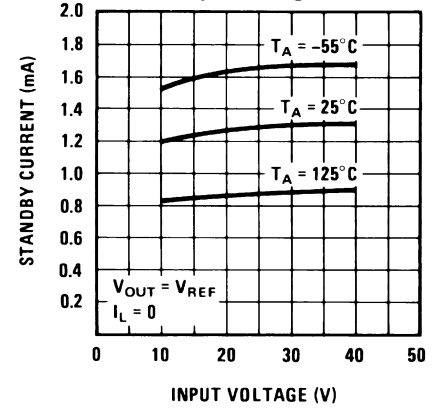


Figure 8.

Typical Performance Characteristics (continued)

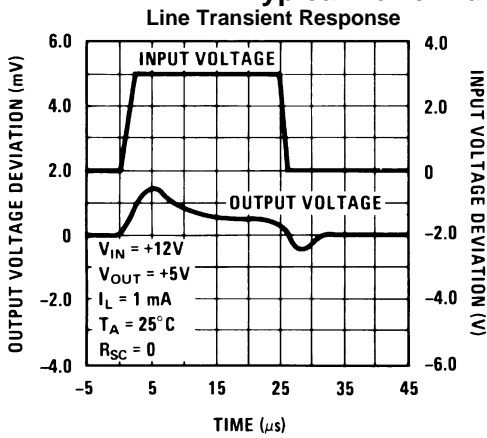


Figure 9.

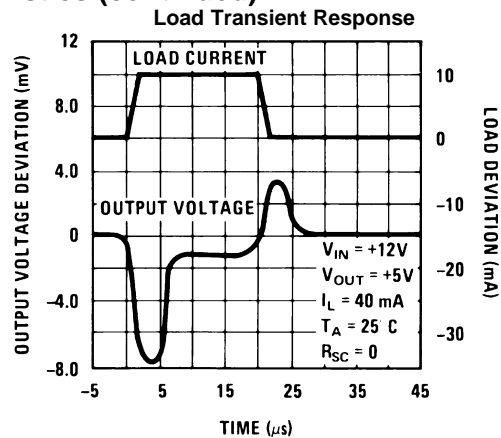


Figure 10.

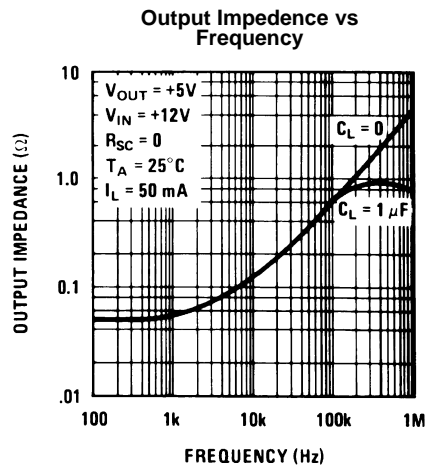


Figure 11.

Maximum Power Ratings

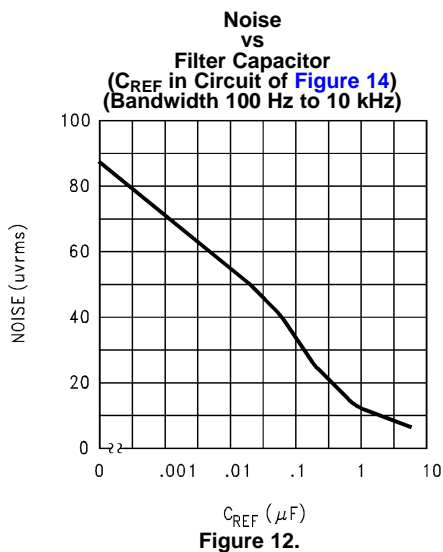


Figure 12.

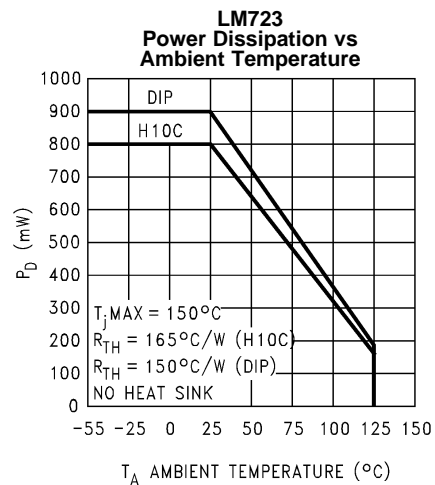


Figure 13.

**Table 1. Resistor Values (kΩ) for Standard Output Voltage**

Positive Output Voltage	Applicable Figures <sup>(1)</sup>	Fixed Output ±5%		Output Adjustable ±10% <sup>(2)</sup>			Negative Output Voltage	Applicable Figures	Fixed Output ±5%		5% Output Adjustable ±10%		
		R1	R2	R1	P1	R2			R1	R2	R1	P1	R2
+3.0	Figure 14, Figure 18, Figure 19, Figure 22, Figure 25 (Figure 17)	4.12	3.01	1.8	0.5	1.2	+100	Figure 20	3.57	102	2.2	10	91
+3.6	Figure 14, Figure 18, Figure 19, Figure 22, Figure 25 (Figure 17)	3.57	3.65	1.5	0.5	1.5	+250	Figure 20	3.57	255	2.2	10	240
+5.0	Figure 14, Figure 18, Figure 19, Figure 22, Figure 25 (Figure 17)	2.15	4.99	0.75	0.5	2.2	-6 <sup>(3)</sup>	Figure 16, (Figure 23)	3.57	2.43	1.2	0.5	0.75
+6.0	Figure 14, Figure 18, Figure 19, Figure 22, Figure 25 (Figure 17)	1.15	6.04	0.5	0.5	2.7	-9	Figure 16, Figure 23	3.48	5.36	1.2	0.5	2.0
+9.0	Figure 15, Figure 17, (Figure 18, Figure 19, Figure 22, Figure 25)	1.87	7.15	0.75	1.0	2.7	-12	Figure 16, Figure 23	3.57	8.45	1.2	0.5	3.3
+12	Figure 15, Figure 17, (Figure 18, Figure 19, Figure 22, Figure 25)	4.87	7.15	2.0	1.0	3.0	-15	Figure 16, Figure 23	3.65	11.5	1.2	0.5	4.3
+15	Figure 15, Figure 17, (Figure 18, Figure 19, Figure 22, Figure 25)	7.87	7.15	3.3	1.0	3.0	-28	Figure 16, Figure 23	3.57	24.3	1.2	0.5	10
+28	Figure 15, Figure 17, (Figure 18, Figure 19, Figure 22, Figure 25)	21.0	7.15	5.6	1.0	2.0	-45	Figure 21	3.57	41.2	2.2	10	33
+45	Figure 20	3.57	48.7	2.2	10	39	-100	Figure 21	3.57	97.6	2.2	10	91
+75	Figure 20	3.57	78.7	2.2	10	68	-250	Figure 21	3.57	249	2.2	10	240

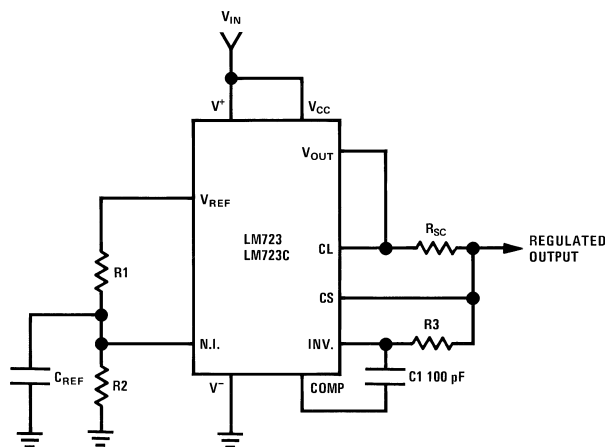
- (1) Figures in parentheses may be used if R1/R2 divider is placed on opposite input of error amp.  
(2) Replace R1/R2 in figures with divider shown in Figure 26.  
(3) V<sup>+</sup> and V<sub>CC</sub> must be connected to a +3V or greater supply.

**Table 2. Formulae for Intermediate Output Voltages**

Outputs from +2 to +7 volts	Outputs from +4 to +250 volts	Current Limiting
(Figure 14, Figure 17, Figure 18, Figure 19, Figure 22, Figure 25)	(Figure 20)	
$V_{OUT} = \left( V_{REF} \times \frac{R2}{R1 + R2} \right)$	$V_{OUT} = \left( \frac{V_{REF}}{2} \times \frac{R2 - R1}{R1} \right); R3 = R4$	$I_{LIMIT} = \frac{V_{SENSE}}{R_{SC}}$
Outputs from +7 to +37 volts	Outputs from -6 to -250 volts	Foldback Current Limiting
(Figure 15, Figure 17, Figure 18, Figure 19, Figure 22, Figure 25)	(Figure 16, Figure 21, Figure 23)	
$V_{OUT} = \left( V_{REF} \times \frac{R1 + R2}{R2} \right)$	$V_{OUT} = \left( \frac{V_{REF}}{2} \times \frac{R1 + R2}{R1} \right); R3 = R4$	$I_{KNEE} = \left( \frac{V_{OUT} R3}{R_{SC} R4} + \frac{V_{SENSE} (R3 + R4)}{R_{SC} R4} \right)$ $I_{SHORT\ CKT} = \left( \frac{V_{SENSE}}{R_{SC}} \times \frac{R3 + R4}{R4} \right)$



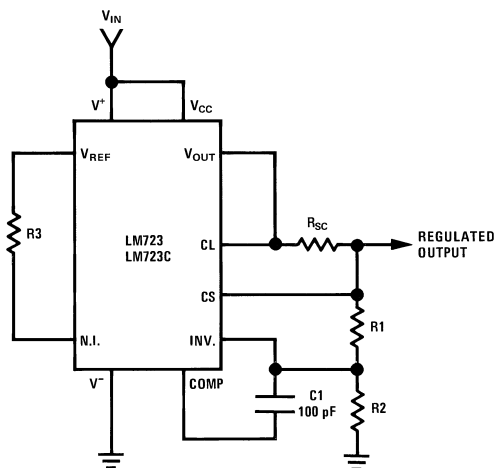
TYPICAL APPLICATIONS



Note:  $R3 = \frac{R1 R2}{R1 + R2}$  for minimum temperature drift

Figure 14. Basic Low Voltage Regulator ( $V_{OUT} = 2$  to 7 Volts)

Typical Performance	
Regulated Output Voltage	5V
Line Regulation ( $\Delta V_{IN} = 3V$ )	0.5mV
Load Regulation ( $\Delta I_L = 50$ mA)	1.5mV



Note:  $R3 = \frac{R1 R2}{R1 + R2}$  for minimum temperature drift.  
 R3 may be eliminated for minimum component count.

Figure 15. Basic High Voltage Regulator ( $V_{OUT} = 7$  to 37 Volts)

Typical Performance	
Regulated Output Voltage	15V
Line Regulation ( $\Delta V_{IN} = 3V$ )	1.5 mV
Load Regulation ( $\Delta I_L = 50$ mA)	4.5 mV

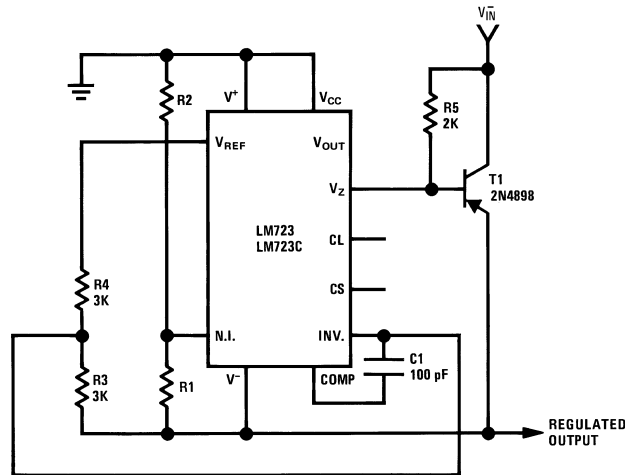


Figure 16. Negative Voltage Regulator

Typical Performance	
Regulated Output Voltage	-15V
Line Regulation ( $\Delta V_{IN} = 3V$ )	1 mV
Load Regulation ( $\Delta I_L = 100 \text{ mA}$ )	2 mV

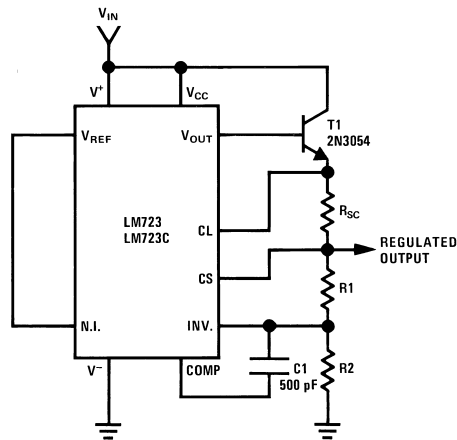


Figure 17. Positive Voltage Regulator (External NPN Pass Transistor)

Typical Performance	
Regulated Output Voltage	+15V
Line Regulation ( $\Delta V_{IN} = 3V$ )	1.5 mV
Load Regulation ( $\Delta I_L = 1A$ )	15 mV

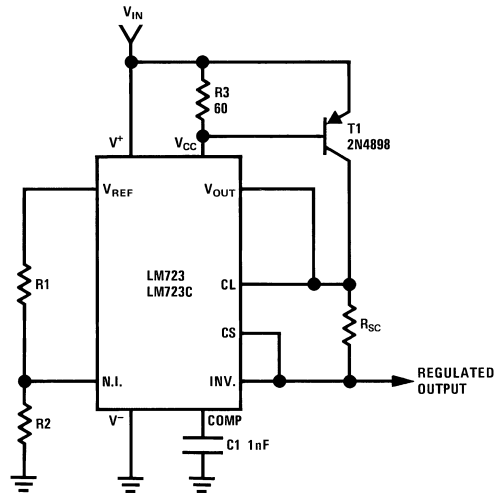


Figure 18. Positive Voltage Regulator (External PNP Pass Transistor)

Typical Performance	
Regulated Output Voltage	+5V
Line Regulation ( $\Delta V_{IN} = 3V$ )	0.5 mV
Load Regulation ( $\Delta I_L = 1A$ )	5 mV

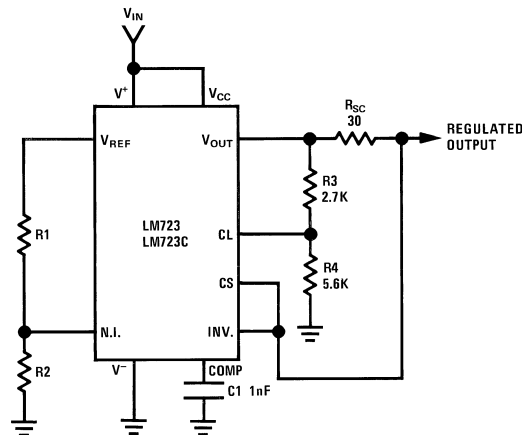


Figure 19. Foldback Current Limiting

Typical Performance	
Regulated Output Voltage	+5V
Line Regulation ( $\Delta V_{IN} = 3V$ )	0.5 mV
Load Regulation ( $\Delta I_L = 10\text{ mA}$ )	1 mV
Short Circuit Current	20 mA

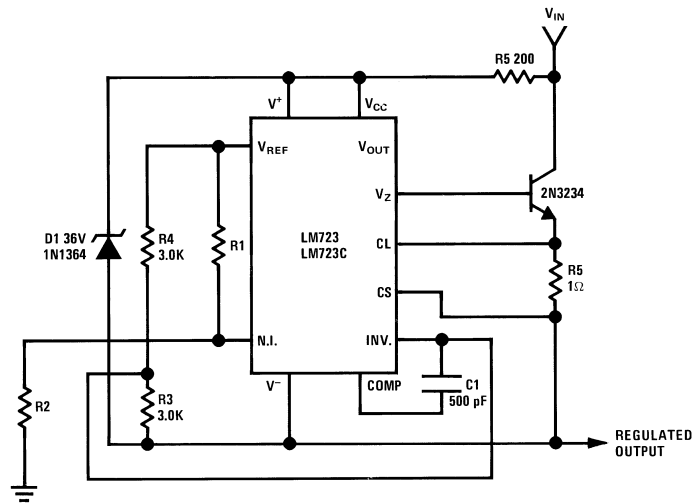


Figure 20. Positive Floating Regulator

Typical Performance	
Regulated Output Voltage	+50V
Line Regulation ( $\Delta V_{IN} = 20V$ )	15 mV
Load Regulation ( $\Delta I_L = 50 \text{ mA}$ )	20 mV

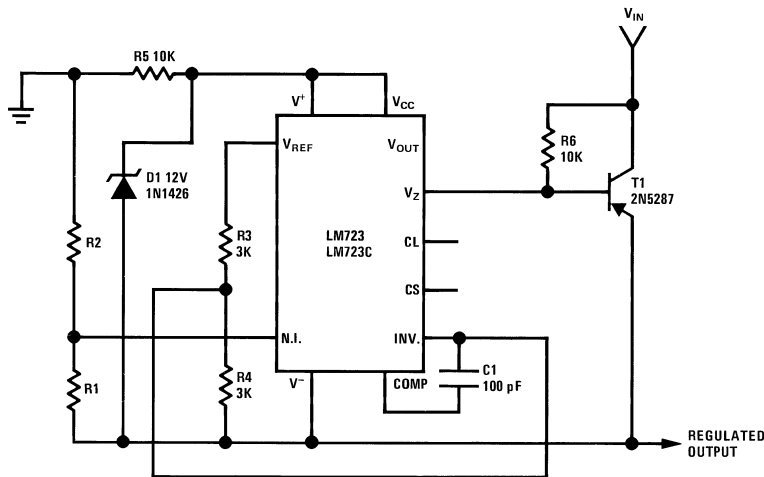
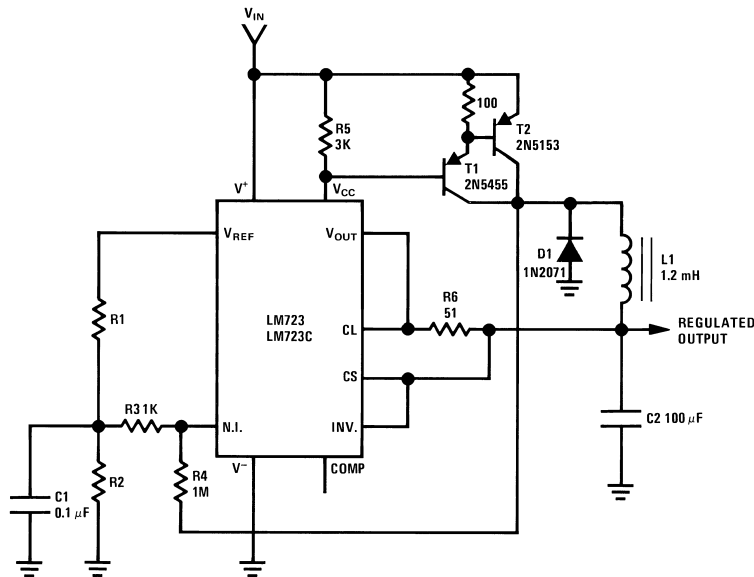


Figure 21. Negative Floating Regulator

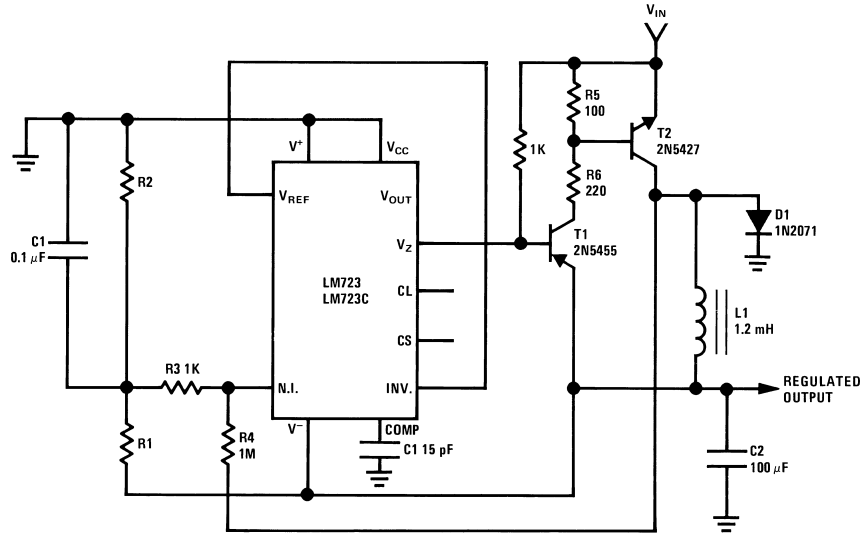
Typical Performance	
Regulated Output Voltage	-100V
Line Regulation ( $\Delta V_{IN} = 20V$ )	30 mV
Load Regulation ( $\Delta I_L = 100 \text{ mA}$ )	20 mV



L<sub>1</sub> is 40 turns of No. 20 enameled copper wire wound on Ferroxcube P36/22-3B7 pot core or equivalent with 0.009 in. air gap.

Figure 22. Positive Switching Regulator

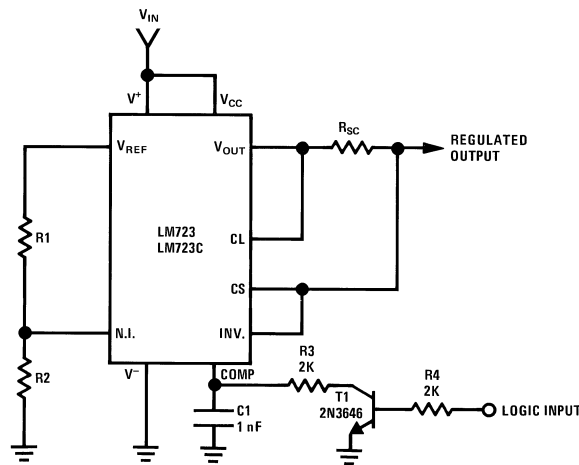
Typical Performance	
Regulated Output Voltage	+5V
Line Regulation ( $\Delta V_{IN} = 30V$ )	10 mV
Load Regulation ( $\Delta I_L = 2A$ )	80 mV



L<sub>1</sub> is 40 turns of No. 20 enameled copper wire wound on Ferroxcube P36/22-3B7 pot core or equivalent with 0.009 in. air gap.

Figure 23. Negative Switching Regulator

Typical Performance	
Regulated Output Voltage	-15V
Line Regulation ( $\Delta V_{IN} = 20V$ )	8 mV
Load Regulation ( $\Delta I_L = 2A$ )	6 mV



Note: Current limit transistor may be used for shutdown if current limiting is not required.

Figure 24. Remote Shutdown Regulator with Current Limiting

Typical Performance	
Regulated Output Voltage	+5V
Line Regulation ( $\Delta V_{IN} = 3V$ )	0.5 mV
Load Regulation ( $\Delta I_L = 50 \text{ mA}$ )	1.5 mV

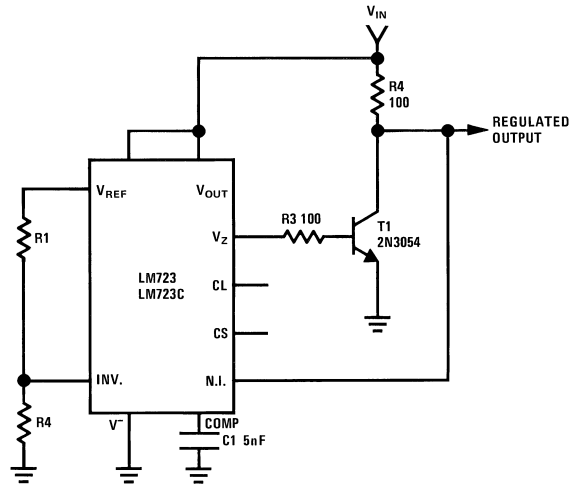
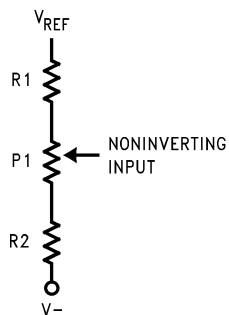


Figure 25. Shunt Regulator

Regulated Output Voltage	+5V
Line Regulation ( $\Delta V_{IN} = 10V$ )	0.5 mV
Load Regulation ( $\Delta I_L = 100 \text{ mA}$ )	1.5 mV



NOTE: Replace R1/R2 in figures with divider shown in [Figure 26](#)

Figure 26. Output Voltage Adjust

**REVISION HISTORY SECTION**

<b>Date Released</b>	<b>Revision</b>	<b>Section</b>	<b>Originator</b>	<b>Changes</b>
02/15/05	A	New Release, Corporate format	L. Lytle	1 MDS data sheet converted into one Corp. data sheet format. MJLM723-X, Rev. 1A0. MDS data sheet will be archived.
03/25/2013	A	All Sections		Changed layout of National Data Sheet to TI format



**PACKAGING INFORMATION**

Orderable Device	Status (1)	Package Type	Package Drawing	Pins	Package Qty	Eco Plan (2)	Lead/Ball Finish (6)	MSL Peak Temp (3)	Op Temp (°C)	Device Marking (4/5)	Samples
JL723SCA	ACTIVE	CDIP	J	14	25	TBD	Call TI	Call TI	-55 to 125	JL723SCA JM38510/10201SCA Q	<a href="#">Samples</a>
JL723SIA	ACTIVE	TO-100	LME	10	20	TBD	Call TI	Call TI	-55 to 125	JL723SIA JM38510/10201SIA Q ACO JM38510/10201SIA Q >T	<a href="#">Samples</a>
JM38510/10201SCA	ACTIVE	CDIP	J	14	25	TBD	Call TI	Call TI	-55 to 125	JL723SCA JM38510/10201SCA Q	<a href="#">Samples</a>
JM38510/10201SIA	ACTIVE	TO-100	LME	10	20	TBD	Call TI	Call TI	-55 to 125	JL723SIA JM38510/10201SIA Q ACO JM38510/10201SIA Q >T	<a href="#">Samples</a>
M38510/10201SCA	ACTIVE	CDIP	J	14	25	TBD	Call TI	Call TI	-55 to 125	JL723SCA JM38510/10201SCA Q	<a href="#">Samples</a>
M38510/10201SIA	ACTIVE	TO-100	LME	10	20	TBD	Call TI	Call TI	-55 to 125	JL723SIA JM38510/10201SIA Q ACO JM38510/10201SIA Q >T	<a href="#">Samples</a>

(1) The marketing status values are defined as follows:

**ACTIVE:** Product device recommended for new designs.

**LIFEBUY:** TI has announced that the device will be discontinued, and a lifetime-buy period is in effect.

**NRND:** Not recommended for new designs. Device is in production to support existing customers, but TI does not recommend using this part in a new design.

**PREVIEW:** Device has been announced but is not in production. Samples may or may not be available.

**OBSOLETE:** TI has discontinued the production of the device.

(2) Eco Plan - The planned eco-friendly classification: Pb-Free (RoHS), Pb-Free (RoHS Exempt), or Green (RoHS & no Sb/Br) - please check <http://www.ti.com/productcontent> for the latest availability information and additional product content details.

**TBD:** The Pb-Free/Green conversion plan has not been defined.

**Pb-Free (RoHS):** TI's terms "Lead-Free" or "Pb-Free" mean semiconductor products that are compatible with the current RoHS requirements for all 6 substances, including the requirement that lead not exceed 0.1% by weight in homogeneous materials. Where designed to be soldered at high temperatures, TI Pb-Free products are suitable for use in specified lead-free processes.

**Pb-Free (RoHS Exempt):** This component has a RoHS exemption for either 1) lead-based flip-chip solder bumps used between the die and package, or 2) lead-based die adhesive used between the die and leadframe. The component is otherwise considered Pb-Free (RoHS compatible) as defined above.

**Green (RoHS & no Sb/Br):** TI defines "Green" to mean Pb-Free (RoHS compatible), and free of Bromine (Br) and Antimony (Sb) based flame retardants (Br or Sb do not exceed 0.1% by weight in homogeneous material)

- (3) MSL, Peak Temp. - The Moisture Sensitivity Level rating according to the JEDEC industry standard classifications, and peak solder temperature.
- (4) There may be additional marking, which relates to the logo, the lot trace code information, or the environmental category on the device.
- (5) Multiple Device Markings will be inside parentheses. Only one Device Marking contained in parentheses and separated by a "~" will appear on a device. If a line is indented then it is a continuation of the previous line and the two combined represent the entire Device Marking for that device.
- (6) Lead/Ball Finish - Orderable Devices may have multiple material finish options. Finish options are separated by a vertical ruled line. Lead/Ball Finish values may wrap to two lines if the finish value exceeds the maximum column width.

**Important Information and Disclaimer:**The information provided on this page represents TI's knowledge and belief as of the date that it is provided. TI bases its knowledge and belief on information provided by third parties, and makes no representation or warranty as to the accuracy of such information. Efforts are underway to better integrate information from third parties. TI has taken and continues to take reasonable steps to provide representative and accurate information but may not have conducted destructive testing or chemical analysis on incoming materials and chemicals. TI and TI suppliers consider certain information to be proprietary, and thus CAS numbers and other limited information may not be available for release.

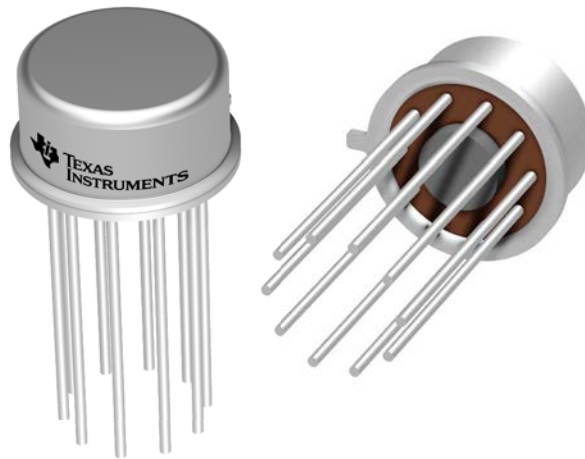
In no event shall TI's liability arising out of such information exceed the total purchase price of the TI part(s) at issue in this document sold by TI to Customer on an annual basis.

## GENERIC PACKAGE VIEW

**LME 10**

**TO-CAN - 5.72 mm max height**

METAL CYLINDRICAL PACKAGE



Images above are just a representation of the package family, actual package may vary.  
Refer to the product data sheet for package details.

4202488/B

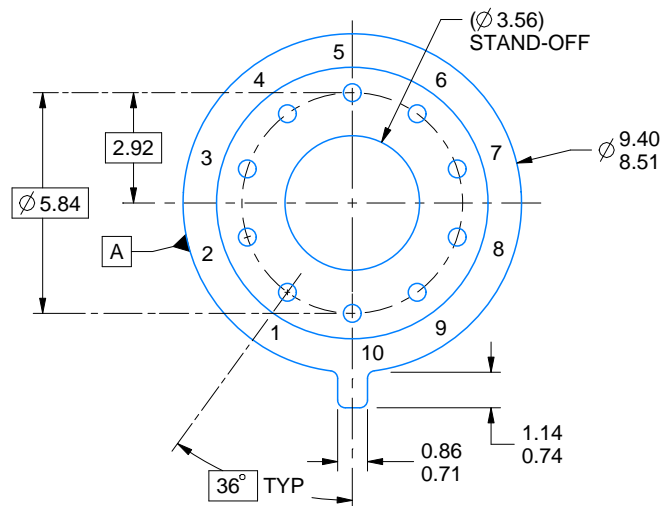
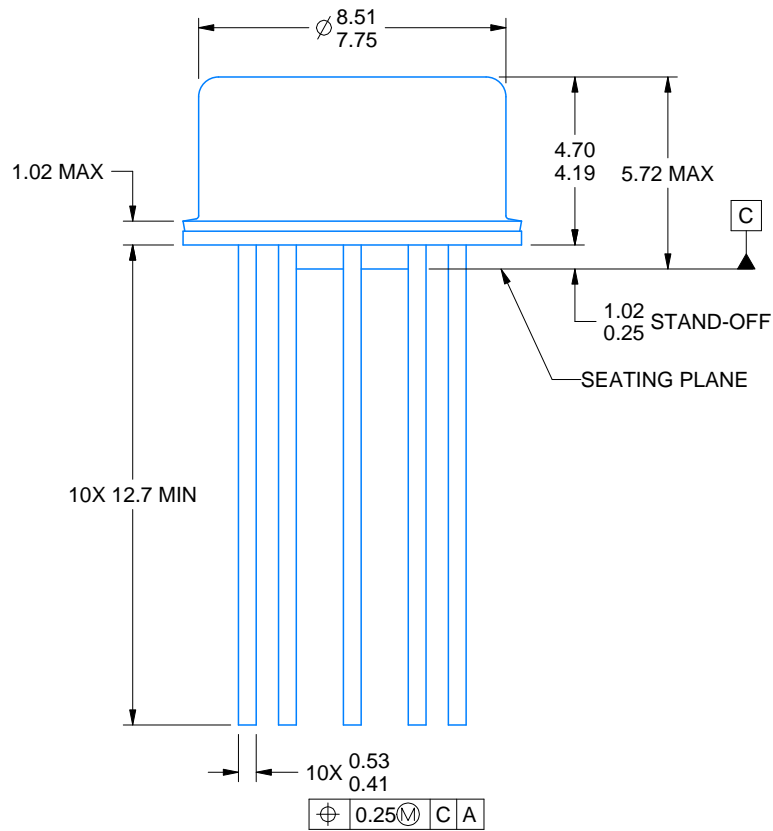
# LME0010A



# PACKAGE OUTLINE

## TO-CAN - 5.72 mm max height

METAL CYLINDRICAL PACKAGE



4220604/A 05/2017

### NOTES:

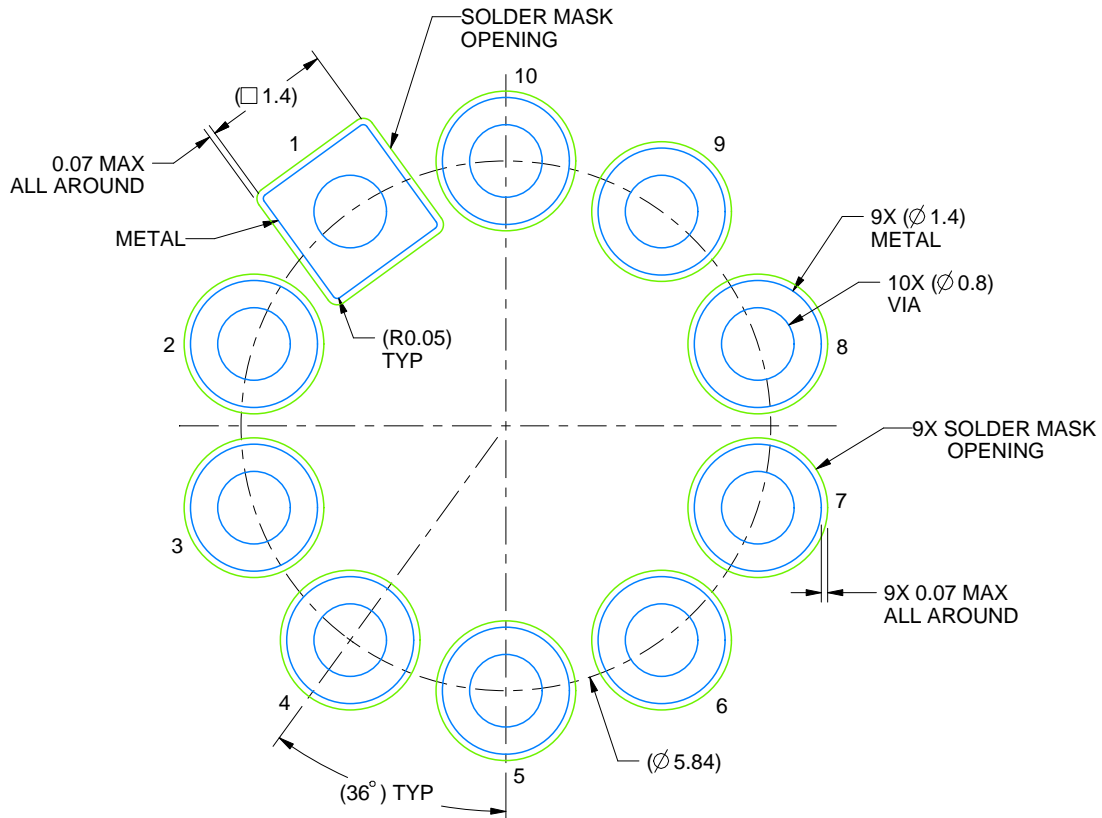
1. All linear dimensions are in millimeters. Any dimensions in parenthesis are for reference only. Dimensioning and tolerancing per ASME Y14.5M.
2. This drawing is subject to change without notice.
3. Reference JEDEC registration MO-006/TO-100.

# EXAMPLE BOARD LAYOUT

LME0010A

TO-CAN - 5.72 mm max height

METAL CYLINDRICAL PACKAGE



LAND PATTERN EXAMPLE  
NON-SOLDER MASK DEFINED  
SCALE: 12X

4220604/A 05/2017

J 14

**GENERIC PACKAGE VIEW**  
**CDIP - 5.08 mm max height**  
CERAMIC DUAL IN LINE PACKAGE



Images above are just a representation of the package family, actual package may vary.  
Refer to the product data sheet for package details.

4040083-5/G

J0014A



# PACKAGE OUTLINE

CDIP - 5.08 mm max height

CERAMIC DUAL IN LINE PACKAGE



4214771/A 05/2017

NOTES:

1. All controlling linear dimensions are in inches. Dimensions in brackets are in millimeters. Any dimension in brackets or parenthesis are for reference only. Dimensioning and tolerancing per ASME Y14.5M.
2. This drawing is subject to change without notice.
3. This package is hermetically sealed with a ceramic lid using glass frit.
4. Index point is provided on cap for terminal identification only and on press ceramic glass frit seal only.
5. Falls within MIL-STD-1835 and GDIP1-T14.

# EXAMPLE BOARD LAYOUT

J0014A

CDIP - 5.08 mm max height

CERAMIC DUAL IN LINE PACKAGE



LAND PATTERN EXAMPLE  
NON-SOLDER MASK DEFINED  
SCALE: 5X



4214771/A 05/2017



## IMPORTANT NOTICE

Texas Instruments Incorporated (TI) reserves the right to make corrections, enhancements, improvements and other changes to its semiconductor products and services per JESD46, latest issue, and to discontinue any product or service per JESD48, latest issue. Buyers should obtain the latest relevant information before placing orders and should verify that such information is current and complete.

TI's published terms of sale for semiconductor products (<http://www.ti.com/sc/docs/stdterms.htm>) apply to the sale of packaged integrated circuit products that TI has qualified and released to market. Additional terms may apply to the use or sale of other types of TI products and services.

Reproduction of significant portions of TI information in TI data sheets is permissible only if reproduction is without alteration and is accompanied by all associated warranties, conditions, limitations, and notices. TI is not responsible or liable for such reproduced documentation. Information of third parties may be subject to additional restrictions. Resale of TI products or services with statements different from or beyond the parameters stated by TI for that product or service voids all express and any implied warranties for the associated TI product or service and is an unfair and deceptive business practice. TI is not responsible or liable for any such statements.

Buyers and others who are developing systems that incorporate TI products (collectively, "Designers") understand and agree that Designers remain responsible for using their independent analysis, evaluation and judgment in designing their applications and that Designers have full and exclusive responsibility to assure the safety of Designers' applications and compliance of their applications (and of all TI products used in or for Designers' applications) with all applicable regulations, laws and other applicable requirements. Designer represents that, with respect to their applications, Designer has all the necessary expertise to create and implement safeguards that (1) anticipate dangerous consequences of failures, (2) monitor failures and their consequences, and (3) lessen the likelihood of failures that might cause harm and take appropriate actions. Designer agrees that prior to using or distributing any applications that include TI products, Designer will thoroughly test such applications and the functionality of such TI products as used in such applications.

TI's provision of technical, application or other design advice, quality characterization, reliability data or other services or information, including, but not limited to, reference designs and materials relating to evaluation modules, (collectively, "TI Resources") are intended to assist designers who are developing applications that incorporate TI products; by downloading, accessing or using TI Resources in any way, Designer (individually or, if Designer is acting on behalf of a company, Designer's company) agrees to use any particular TI Resource solely for this purpose and subject to the terms of this Notice.

TI's provision of TI Resources does not expand or otherwise alter TI's applicable published warranties or warranty disclaimers for TI products, and no additional obligations or liabilities arise from TI providing such TI Resources. TI reserves the right to make corrections, enhancements, improvements and other changes to its TI Resources. TI has not conducted any testing other than that specifically described in the published documentation for a particular TI Resource.

Designer is authorized to use, copy and modify any individual TI Resource only in connection with the development of applications that include the TI product(s) identified in such TI Resource. NO OTHER LICENSE, EXPRESS OR IMPLIED, BY ESTOPPEL OR OTHERWISE TO ANY OTHER TI INTELLECTUAL PROPERTY RIGHT, AND NO LICENSE TO ANY TECHNOLOGY OR INTELLECTUAL PROPERTY RIGHT OF TI OR ANY THIRD PARTY IS GRANTED HEREIN, including but not limited to any patent right, copyright, mask work right, or other intellectual property right relating to any combination, machine, or process in which TI products or services are used. Information regarding or referencing third-party products or services does not constitute a license to use such products or services, or a warranty or endorsement thereof. Use of TI Resources may require a license from a third party under the patents or other intellectual property of the third party, or a license from TI under the patents or other intellectual property of TI.

TI RESOURCES ARE PROVIDED "AS IS" AND WITH ALL FAULTS. TI DISCLAIMS ALL OTHER WARRANTIES OR REPRESENTATIONS, EXPRESS OR IMPLIED, REGARDING RESOURCES OR USE THEREOF, INCLUDING BUT NOT LIMITED TO ACCURACY OR COMPLETENESS, TITLE, ANY EPIDEMIC FAILURE WARRANTY AND ANY IMPLIED WARRANTIES OF MERCHANTABILITY, FITNESS FOR A PARTICULAR PURPOSE, AND NON-INFRINGEMENT OF ANY THIRD PARTY INTELLECTUAL PROPERTY RIGHTS. TI SHALL NOT BE LIABLE FOR AND SHALL NOT DEFEND OR INDEMNIFY DESIGNER AGAINST ANY CLAIM, INCLUDING BUT NOT LIMITED TO ANY INFRINGEMENT CLAIM THAT RELATES TO OR IS BASED ON ANY COMBINATION OF PRODUCTS EVEN IF DESCRIBED IN TI RESOURCES OR OTHERWISE. IN NO EVENT SHALL TI BE LIABLE FOR ANY ACTUAL, DIRECT, SPECIAL, COLLATERAL, INDIRECT, PUNITIVE, INCIDENTAL, CONSEQUENTIAL OR EXEMPLARY DAMAGES IN CONNECTION WITH OR ARISING OUT OF TI RESOURCES OR USE THEREOF, AND REGARDLESS OF WHETHER TI HAS BEEN ADVISED OF THE POSSIBILITY OF SUCH DAMAGES.

Unless TI has explicitly designated an individual product as meeting the requirements of a particular industry standard (e.g., ISO/TS 16949 and ISO 26262), TI is not responsible for any failure to meet such industry standard requirements.

Where TI specifically promotes products as facilitating functional safety or as compliant with industry functional safety standards, such products are intended to help enable customers to design and create their own applications that meet applicable functional safety standards and requirements. Using products in an application does not by itself establish any safety features in the application. Designers must ensure compliance with safety-related requirements and standards applicable to their applications. Designer may not use any TI products in life-critical medical equipment unless authorized officers of the parties have executed a special contract specifically governing such use. Life-critical medical equipment is medical equipment where failure of such equipment would cause serious bodily injury or death (e.g., life support, pacemakers, defibrillators, heart pumps, neurostimulators, and implantables). Such equipment includes, without limitation, all medical devices identified by the U.S. Food and Drug Administration as Class III devices and equivalent classifications outside the U.S.

TI may expressly designate certain products as completing a particular qualification (e.g., Q100, Military Grade, or Enhanced Product). Designers agree that it has the necessary expertise to select the product with the appropriate qualification designation for their applications and that proper product selection is at Designers' own risk. Designers are solely responsible for compliance with all legal and regulatory requirements in connection with such selection.

Designer will fully indemnify TI and its representatives against any damages, costs, losses, and/or liabilities arising out of Designer's non-compliance with the terms and provisions of this Notice.