

LM7705 Low-Noise Negative Bias Generator

1 Features

- Regulated Output Voltage -0.232 V
- Output Voltage Tolerance 5%
- Output Voltage Ripple 4 mV_{PP}
- Supply Voltage 3 V to 5.25 V
- Conversion Efficiency Up to 98%
- Quiescent Current 78 μA
- Shutdown Current 20 nA
- Turnon Time 500 μs
- Operating Temperature Range -40°C to 125°C
- 8-Pin VSSOP Package

2 Applications

- True Zero Amplifier Outputs
- Portable Instrumentation
- Low-Voltage Split-Power Supplies

3 Description

The LM7705 device is a switched capacitor voltage inverter with a low noise, -0.23 V fixed negative voltage regulator. This device is designed to be used with low voltage amplifiers to enable the amplifiers output to swing to zero volts. The -0.23 V is used to supply the negative supply pin of an amplifier while maintaining less than 5.5 V across the amplifier. Rail-to-Rail output amplifiers cannot output zero volts when operating from a single-supply voltage and can result in error accumulation due to amplifier output saturation voltage being amplified by following gain stages. A small negative supply voltage will prevent the amplifiers output from saturating at zero volts and will help maintain an accurate zero through a signal processing chain. Additionally, when an amplifier is used to drive an input of the ADC, the amplifier can output a zero voltage signal and the full input range of an ADC can be used. The LM7705 device has a shutdown pin to minimize standby power consumption.

Device Information⁽¹⁾

PART NUMBER	PACKAGE	BODY SIZE (NOM)
LM7705	VSSOP (8)	3.00 mm x 3.00 mm

(1) For all available packages, see the orderable addendum at the end of the data sheet.

Typical Application

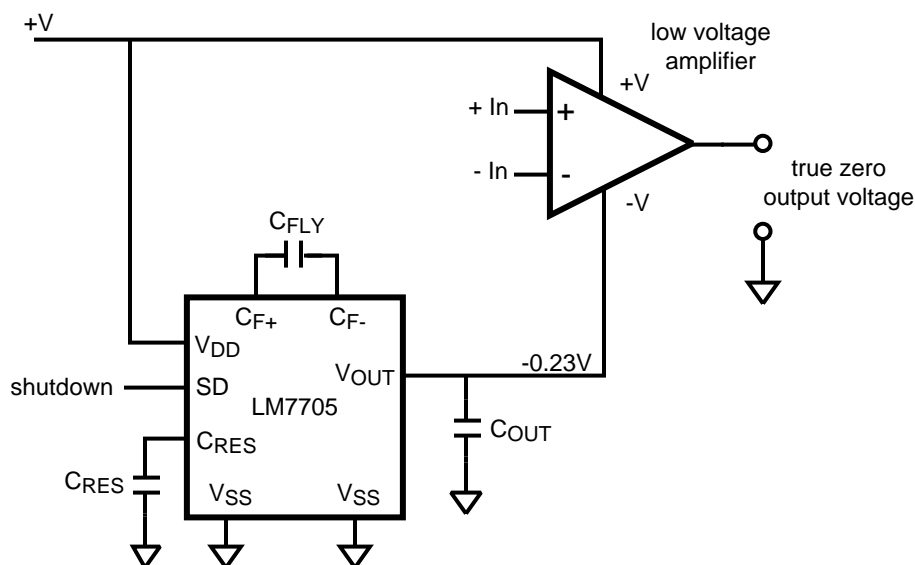


Table of Contents

1 Features	1	7.3 Feature Description.....	10
2 Applications	1	7.4 Device Functional Modes.....	10
3 Description	1	8 Application and Implementation	14
4 Revision History	2	8.1 Application Information.....	14
5 Pin Configuration and Functions	3	8.2 Typical Application	16
6 Specifications	3	9 Power Supply Recommendations	18
6.1 Absolute Maximum Ratings	3	10 Layout	19
6.2 ESD Ratings.....	3	10.1 Layout Guidelines	19
6.3 Recommended Operating Conditions.....	4	10.2 Layout Examples.....	19
6.4 Thermal Information	4	11 Device and Documentation Support	20
6.5 3.3-V Electrical Characteristics	4	11.1 Community Resources.....	20
6.6 5-V Electrical Characteristics	5	11.2 Trademarks	20
6.7 Typical Characteristics	6	11.3 Electrostatic Discharge Caution.....	20
7 Detailed Description	10	11.4 Glossary	20
7.1 Overview	10	12 Mechanical, Packaging, and Orderable Information	20
7.2 Functional Block Diagram	10		

4 Revision History

NOTE: Page numbers for previous revisions may differ from page numbers in the current version.

Changes from Revision C (September 2015) to Revision D Page

- Deleted 'Maximum Output Current 26 mA' from Features list **1**
- Deleted I_{O_MAX} spec from [3.3-V Electrical Characteristics](#) and [5-V Electrical Characteristics](#) tables..... **4**

Changes from Revision B (March 2013) to Revision C Page

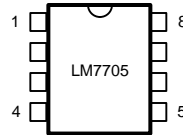
- Added *Pin Configuration and Functions* section, *ESD Ratings* table, *Feature Description* section, *Device Functional Modes*, *Application and Implementation* section, *Power Supply Recommendations* section, *Layout* section, *Device and Documentation Support* section, and *Mechanical, Packaging, and Orderable Information* section **1**

Changes from Revision A (November 2008) to Revision B Page

- Changed layout of National Semiconductor Data Sheet to TI format **19**

5 Pin Configuration and Functions

**DGK Package
8-Pin VSSOP
Top View**



Pin Functions

PIN		TYPE	DESCRIPTION
NAME	NO.		
C _{F+}	1	Analog	C _{FLY} Positive Capacitor Connection
V _{SS}	2	Ground	Power Ground
SD	3	Input	Shutdown Pin If SD pin is LOW, device is ON If SD pin is HIGH, device is OFF
V _{DD}	4	Power	Positive Supply Voltage
V _{SS}	5	Ground	Power Ground
V _{OUT}	6	Output	Output Voltage
C _{RES}	7	Analog	Reserve Capacitor Connection
C _{F-}	8	Analog	C _{FLY} Negative Capacitor Connection

6 Specifications

6.1 Absolute Maximum Ratings

over operating free-air temperature range (unless otherwise noted)⁽¹⁾

	MIN	MAX	UNIT
Supply voltage V _{DD} - V _{SS}		5.75	V
SD	V _{DD} + 0.3	V _{SS} - 0.3	V
Junction temperature ⁽²⁾		150	°C
Mounting temperature	Infrared or Convection (20 sec)		°C
Storage temperature, T _{stg}	-65	150	°C

- Stresses beyond those listed under *Absolute Maximum Ratings* may cause permanent damage to the device. These are stress ratings only, which do not imply functional operation of the device at these or any other conditions beyond those indicated under *Recommended Operating Conditions*. Exposure to absolute-maximum-rated conditions for extended periods may affect device reliability.
- Typical values represent the most likely parametric norm as determined at the time of characterization. Actual typical values may vary over time and will also depend on the application and configuration. The typical values are not tested and are not ensured on shipped production material.

6.2 ESD Ratings

	VALUE	UNIT
V _(ESD) Electrostatic discharge	Human body model (HBM), per ANSI/ESDA/JEDEC JS-001 ⁽¹⁾	±2000
	Charged-device model (CDM), per JEDEC specification JESD22-C101 ⁽²⁾	±750
	Machine model ⁽³⁾	±200

- Human Body Model, applicable std. MIL-STD-883, Method 3015.7.
- Field induced Charge-Device Model, applicable std. JESD22-C101-C. (ESD FICDM std of JEDEC).
- Machine model, applicable std JESD22-A115-A (ESSD MM std of JEDEC).

6.3 Recommended Operating Conditions

over operating free-air temperature range (unless otherwise noted)

	MIN	MAX	UNIT
Supply voltage (V_{DD} to GND)	3	5.25	V
Supply voltage (V_{DD} wrt V_{OUT})	3.23	5.48	V
Temperature range	-40	125	°C

6.4 Thermal Information

THERMAL METRIC ⁽¹⁾		LM77005	UNIT
		DGK (VSSOP)	
		8 PINS	
$R_{\theta JA}$	Junction-to-ambient thermal resistance	253	°C/W

(1) For more information about traditional and new thermal metrics, see the *Semiconductor and IC Package Thermal Metrics* application report, [SPRA953](#).

6.5 3.3-V Electrical Characteristics

Unless otherwise specified, all limits are ensured for $T_A = 25^\circ\text{C}$, $V_{DD} = 3.3\text{ V}$, $V_{SS} = 0\text{ V}$, $SD = 0\text{ V}$, $C_{FLY} = 5\text{ }\mu\text{F}$, $C_{RES} = 22\text{ }\mu\text{F}$, $C_{OUT} = 22\text{ }\mu\text{F}$.

PARAMETER	TEST CONDITIONS		MIN ⁽¹⁾	TYP ⁽²⁾	MAX ⁽¹⁾	UNIT
V_{OUT} Output Voltage	$I_{OUT} = 0\text{ mA}$	$T_A = 25^\circ\text{C}$	-0.24 2	-0.232	-0.219	V
		-40°C to 125°C	-0.25 1		-0.209	
	$I_{OUT} = -20\text{ mA}$	$T_A = 25^\circ\text{C}$	-0.24 2	-0.226	-0.219	
		-40°C to 125°C	-0.25 1		-0.209	
V_R Output Voltage Ripple	$I_{OUT} = -20\text{ mA}$		4			mV _{PP}
I_S Supply Current	No Load	$T_A = 25^\circ\text{C}$	50	78	100	μA
		-40°C to 125°C			150	
I_{SD} Shutdown Supply Current	$SD = V_{DD}$		20			nA
η_{POWER} Current Conversion Efficiency	$-5\text{ mA} \leq I_{OUT} \leq -20\text{ mA}$		98%			
η_{POWER} Current Conversion Efficiency	$I_{OUT} = -5\text{ mA}$		98%			
t_{ON} Turnon Time	$I_{OUT} = -5\text{ mA}$		500			μs
t_{OFF} Turnoff Time	$I_{OUT} = -5\text{ mA}$		700			μs
$t_{OFF CP}$ Turnoff Time Charge Pump	$I_{OUT} = -5\text{ mA}$		11			μs
Z_{OUT} Output Impedance	$-1\text{ mA} \leq I_{OUT} \leq -20\text{ mA}$	$T_A = 25^\circ\text{C}$	0.23		0.8	Ω
		-40°C to 125°C			1.3	
f_{OSC} Oscillator Frequency			92			kHz
V_{IL} Shutdown Input Low	$T_A = 25^\circ\text{C}$		1.6			V
	-40°C to 125°C		1.25			
V_{IH} Shutdown Input High	$T_A = 25^\circ\text{C}$		1.85			V
	-40°C to 125°C		2.15			
I_C Shutdown Pin Input Current	$SD = V_{DD}$		50			pA
Load Regulation	$0\text{ mA} \leq I_{OUT} \leq -20\text{ mA}$	$T_A = 25^\circ\text{C}$	0.12		0.6	%mA
		-40°C to 125°C			0.85	

(1) All limits are specified by testing or statistical analysis.

(2) Typical values represent the most likely parametric norm as determined at the time of characterization. Actual typical values may vary over time and will also depend on the application and configuration. The typical values are not tested and are not specified on shipped production material.

3.3-V Electrical Characteristics (continued)

Unless otherwise specified, all limits are ensured for $T_A = 25^\circ\text{C}$, $V_{DD} = 3.3\text{ V}$, $V_{SS} = 0\text{ V}$, $SD = 0\text{ V}$, $C_{FLY} = 5\text{ }\mu\text{F}$, $C_{RES} = 22\text{ }\mu\text{F}$, $C_{OUT} = 22\text{ }\mu\text{F}$.

PARAMETER	TEST CONDITIONS		MIN ⁽¹⁾	TYP ⁽²⁾	MAX ⁽¹⁾	UNIT
Line Regulation	$3\text{ V} \leq V_{DD} \leq 5.25\text{ V}$ (No Load)	$T_A = 25^\circ\text{C}$	-0.2	0.29	0.7	%V
		-40°C to 125°C			1.1	

6.6 5-V Electrical Characteristics

Unless otherwise specified, all limits are ensured for $T_A = 25^\circ\text{C}$, $V_{DD} = 5.0\text{V}$, $V_{SS} = 0\text{V}$, $SD = 0\text{V}$, $C_{FLY} = 5\text{ }\mu\text{F}$, $C_{RES} = 22\text{ }\mu\text{F}$, $C_{OUT} = 22\text{ }\mu\text{F}$.

PARAMETER	TEST CONDITIONS		MIN ⁽¹⁾	TYP ⁽²⁾	MAX ⁽¹⁾	UNIT
V_{OUT} Output Voltage	$I_{OUT} = 0\text{ mA}$	$T_A = 25^\circ\text{C}$	-0.24 2	-0.233	-0.219	V
		-40°C to 125°C	-0.25 1		-0.209	
	$I_{OUT} = -20\text{ mA}$	$T_A = 25^\circ\text{C}$	-0.24 2	-0.226	-0.219	
		-40°C to 125°C	-0.25 1		-0.209	
V_R Output Voltage Ripple	$I_{OUT} = -20\text{ mA}$			4		mV _{PP}
I_S Supply Current	No Load	$T_A = 25^\circ\text{C}$	60	103	135	μA
		-40°C to 125°C			240	
I_{SD} Shutdown Supply Current	$SD = V_{DD}$			20		nA
η_{POWER} Current Conversion Efficiency	$-5\text{ mA} \leq I_{OUT} \leq -20\text{ mA}$			98%		
η_{POWER} Current Conversion Efficiency	$I_{OUT} = -5\text{ mA}$			98%		
t_{ON} Turnon Time	$I_{OUT} = -5\text{ mA}$			200		μs
t_{OFF} Turnoff Time	$I_{OUT} = -5\text{ mA}$			700		μs
$t_{OFF\ CP}$ Turnoff Time Charge Pump	$I_{OUT} = -5\text{ mA}$			11		μs
Z_{OUT} Output Impedance	$-1\text{ mA} \leq I_{OUT} \leq -20\text{ mA}$	$T_A = 25^\circ\text{C}$		0.26	0.8	Ω
		-40°C to 125°C			1.3	
f_{OSC} Oscillator Frequency				91		kHz
V_{IL} Shutdown Input Low	$T_A = 25^\circ\text{C}$				2.55	V
	-40°C to 125°C				1.95	
V_{IH} Shutdown Input High	$T_A = 25^\circ\text{C}$		2.8			V
	-40°C to 125°C		3.25			
I_C Shutdown Pin Input Current	$SD = V_{DD}$			50		μA
Load Regulation	$0\text{ mA} \leq I_{OUT} \leq -20\text{ mA}$	$T_A = 25^\circ\text{C}$		0.14	0.6	%mA
		-40°C to 125°C			0.85	
Line Regulation	$3\text{ V} \leq V_{DD} \leq 5.25\text{ V}$ (No Load)	$T_A = 25^\circ\text{C}$	-0.2	0.29	0.7	%V
		-40°C to 125°C			1.1	

(1) All limits are specified by testing or statistical analysis.

(2) Typical values represent the most likely parametric norm as determined at the time of characterization. Actual typical values may vary over time and will also depend on the application and configuration. The typical values are not tested and are not specified on shipped production material.

LM7705

SNVS420D – NOVEMBER 2008 – REVISED MAY 2018

www.ti.com

6.7 Typical Characteristics

$V_{DD} = 3.3\text{ V}$ and $T_A = 25^\circ\text{C}$ unless otherwise noted.

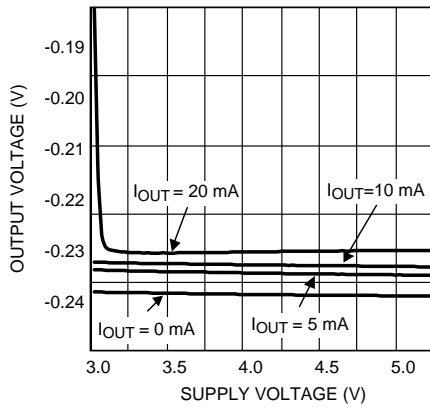


Figure 1. Output Voltage vs. Supply Voltage

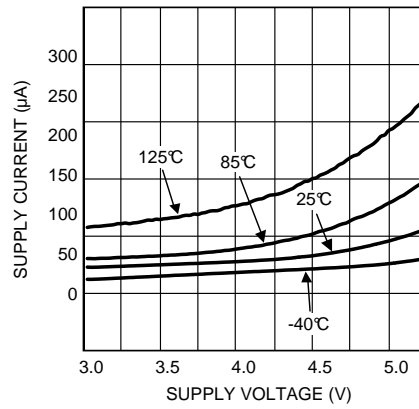


Figure 2. Supply Current vs. Supply Voltage

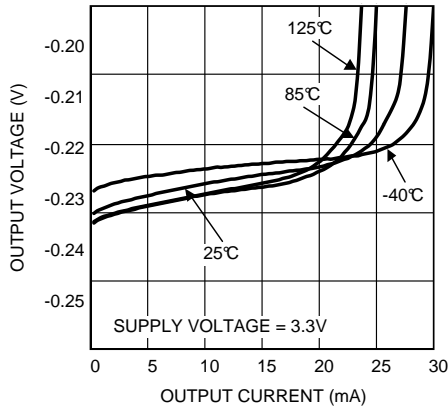


Figure 3. Output Voltage vs. Output Current

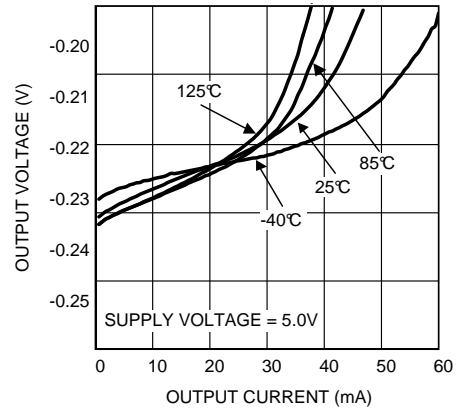


Figure 4. Output Voltage vs. Output Current

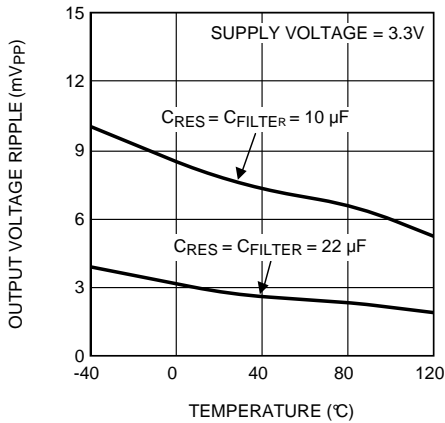


Figure 5. Output Voltage Ripple vs. Temperature

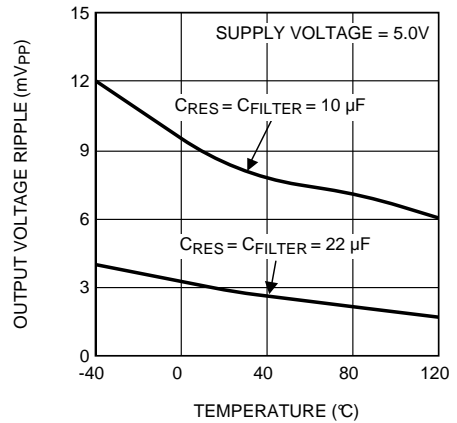


Figure 6. Output Voltage Ripple vs. Temperature

Typical Characteristics (continued)

$V_{DD} = 3.3\text{ V}$ and $T_A = 25^\circ\text{C}$ unless otherwise noted.

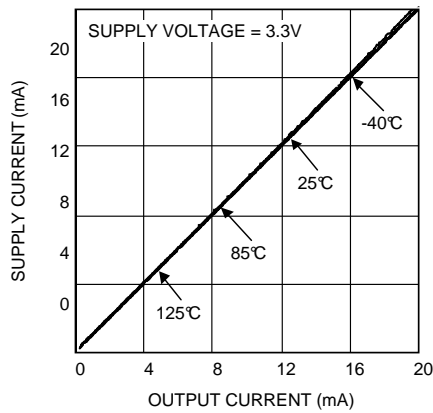


Figure 7. Supply Current vs. Output Current

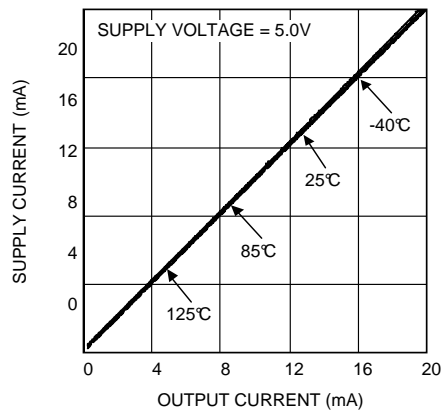


Figure 8. Supply Current vs. Output Current

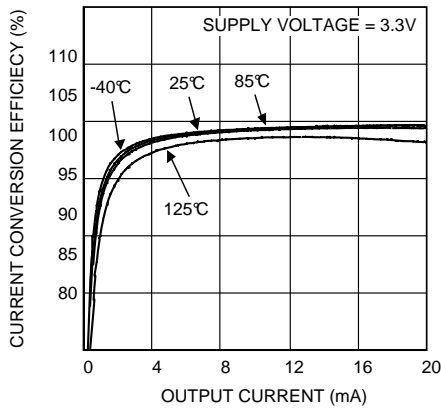


Figure 9. Current Conversion Efficiency vs. Output Current

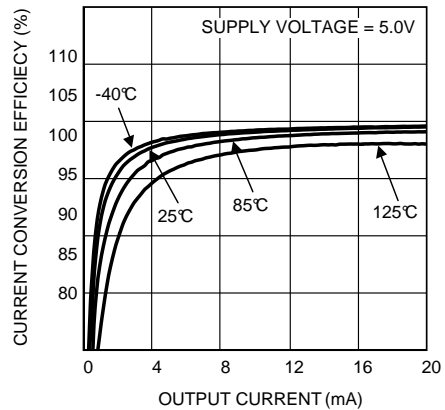


Figure 10. Current Conversion Efficiency vs. Output Current

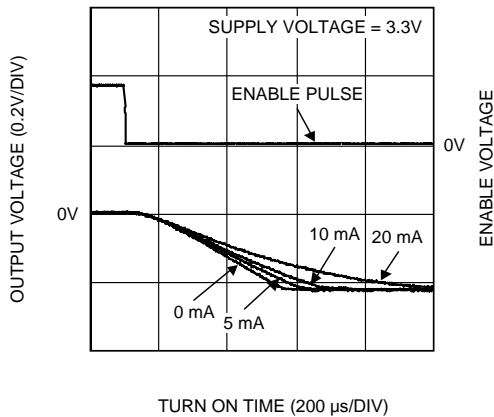


Figure 11. Turnon Time

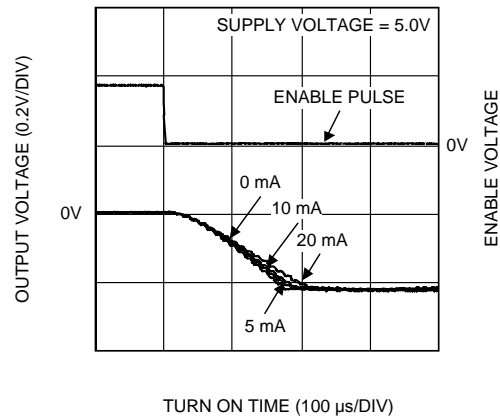


Figure 12. Turnon Time

Typical Characteristics (continued)

$V_{DD} = 3.3\text{ V}$ and $T_A = 25^\circ\text{C}$ unless otherwise noted.

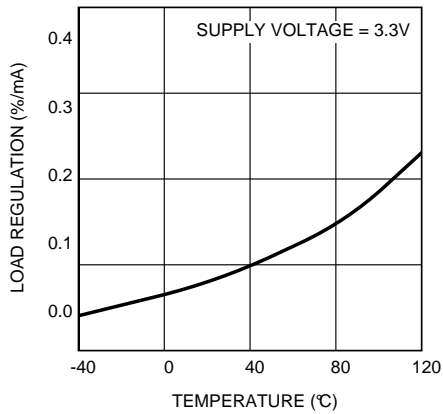


Figure 13. Load Regulation vs. Temperature

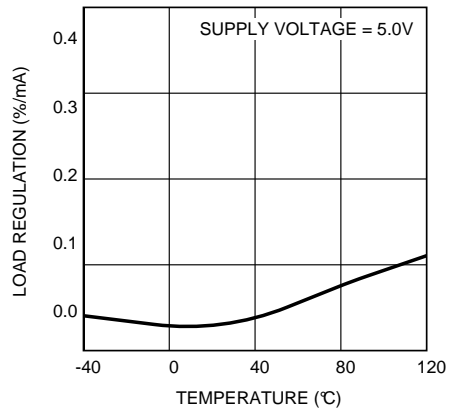


Figure 14. Load Regulation vs. Temperature

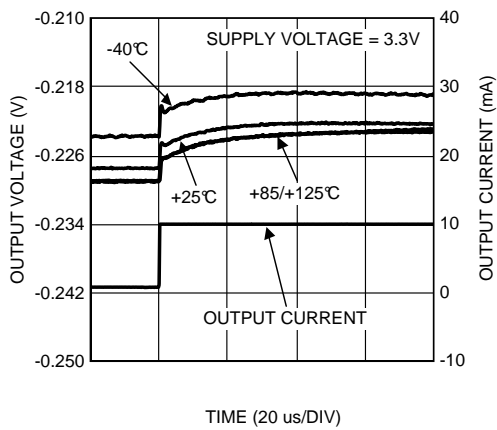


Figure 15. Transient Response

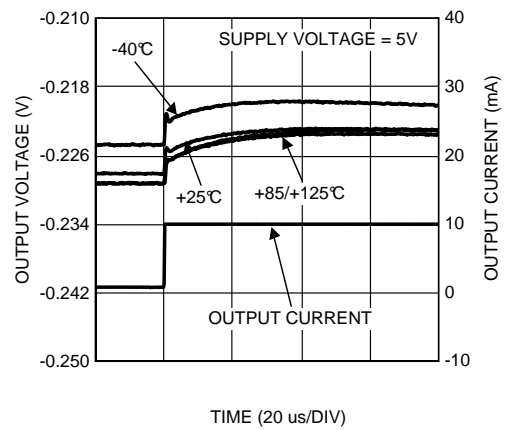


Figure 16. Transient Response

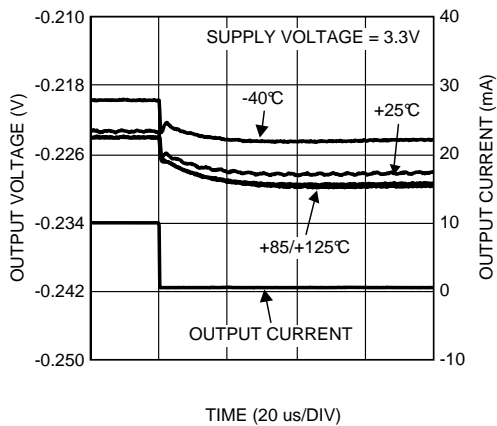


Figure 17. Transient Response

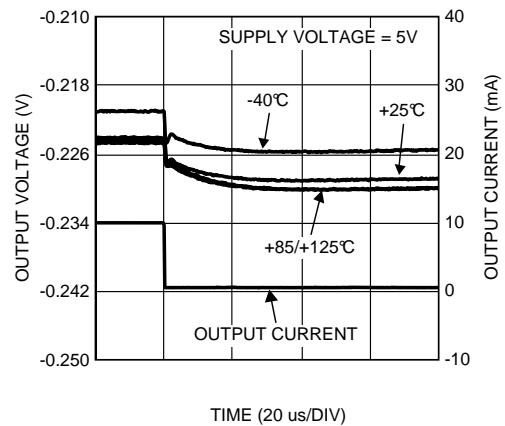


Figure 18. Transient Response

Typical Characteristics (continued)

$V_{DD} = 3.3\text{ V}$ and $T_A = 25^\circ\text{C}$ unless otherwise noted.

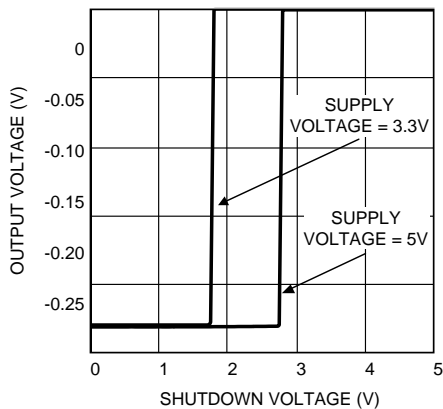


Figure 19. Output voltage vs. Shutdown Voltage

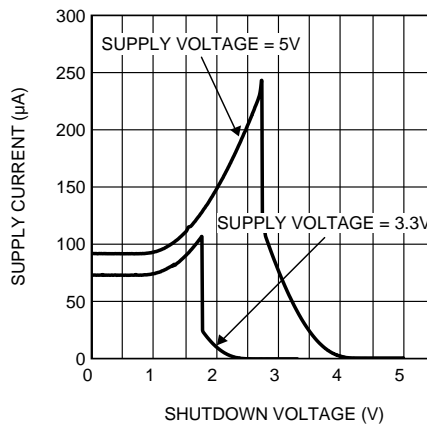


Figure 20. Supply Current vs. Shutdown Voltage

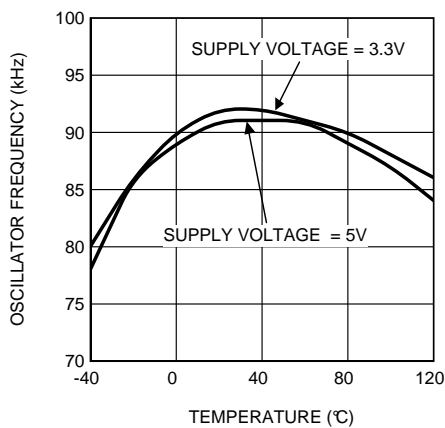


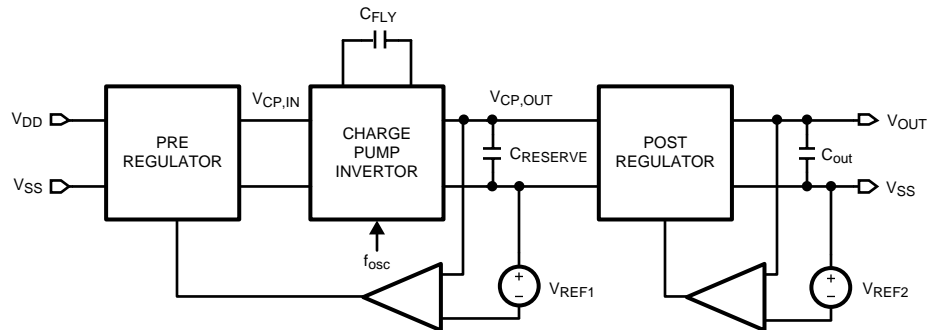
Figure 21. Oscillator Frequency vs. Temperature

7 Detailed Description

7.1 Overview

The LM7705 is a switched capacitor voltage inverter with a low-noise, -0.23-V fixed negative bias output. The part will operate over a supply voltage range of 3 V to 5.25 V . Applying a logical low level to the SD input will activate the part, and generate a fixed -0.23-V output voltage. The part can be disabled; the output is switched to ground level, by applying a logical high level to the SD input of the part.

7.2 Functional Block Diagram



7.3 Feature Description

7.3.1 Supply Voltage

The LM7705 will operate over a supply voltage range of 3 V to 5.25 V , and meet the specifications given in the [3.3-V Electrical Characteristics](#) Table. Supply voltage lower than 3.3 V will decrease performance (The output voltage will shift towards zero, and the current sink capabilities will decrease) A voltage higher than 5.25 V will exceed the [Absolute Maximum Ratings](#) ratings and therefore damage the part.

7.3.2 Output Voltage and Line Regulation

The fixed and regulated output voltage of -0.23 V has tight limits, as indicated in the [3.3-V Electrical Characteristics](#) table, to ensure a stable voltage level. The usage of the pre- and post regulator in combination with the charge pump inverter ensures good line regulation of $0.29\%/V$

7.3.3 Output Current and Load Regulation

The LM7705 can sink currents more than 26 mA , causing an output voltage shift to -200 mV . A specified load-regulation of $0.14\% \text{ mA/V}$ ensures a minor voltage deviation for load current up to 20 mA .

7.3.4 Quiescent Current

The LM7705 consumes a quiescent current less than $100\text{ }\mu\text{A}$. Sinking a load current, will result in a current conversion efficiency better than 90% , even for load currents of 1 mA , increasing to 98% for a current of 5 mA .

7.4 Device Functional Modes

7.4.1 General Amplifier Application

This section will discuss a general DC coupled amplifier application. First, one of the limitations of a DC coupled amplifier is discussed. This is illustrated with two application examples. A solution is a given for solving this limitation by using the LM7705.

Due to the architecture of the output stage of general amplifiers, the output transistors will saturate. As a result, the output of a general purpose op amp can only swing to a few 100 mV of the supply rails. Amplifiers using CMOS technology do have a lower output saturation voltage. This is illustrated in [Figure 22](#). For example, Texas Instruments' LM7332 can swing to 200 mV to the negative rail, for a $10\text{-k}\Omega$ load, over all temperatures.

Device Functional Modes (continued)

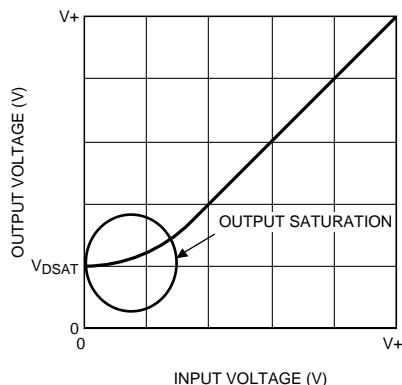


Figure 22. Limitation of the Output of an Amplifier

The introduction of operational amplifiers with output rail-to-rail drive capabilities is a strong improvement and the (output) performance of op amps is for many applications no longer a limiting factor. For example, Texas Instruments' LMP7701 (a typical rail-to-rail op amp), has an output drive capability of only 50 mV over all temperatures for a 10-kΩ load resistance. This is close to the lower supply voltage rail.

However, for true zero output applications with a single supply, the saturation voltage of the output stage is still a limiting factor. This limitation has a negative impact on the functionality of true zero output applications. This is illustrated in Figure 23.

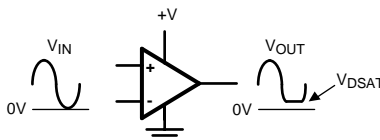


Figure 23. Output Limitation for Single-Supply True Zero Output Application

In the *One-Stage, Single-Supply True Zero Amplifier* section, two applications will be discussed, showing the limitations of the output stage of an op amp in a single supply configuration:

- A single stage true zero amplifier, with a 12-bit ADC back end.
- A dual stage true zero amplifier, with a 12-bit ADC back end.

7.4.1.1 One-Stage, Single-Supply True Zero Amplifier

This application shows a sensor with a DC output signal, amplified by a single supply op amp. The output voltage of the op amp is converted to the digital domain using an Analog to Digital Converter (ADC). Figure 24 shows the basic set-up of this application.

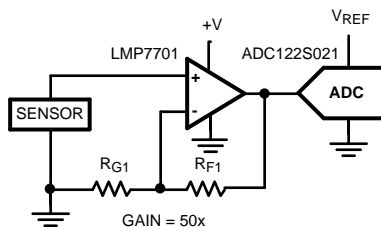


Figure 24. Sensor With DC Output and a Single-Supply Op Amp

Device Functional Modes (continued)

The sensor has a DC output signal that is amplified by the op amp. For an optimal signal-to-noise ratio, the output voltage swing of the op amp must be matched to the input voltage range of the Analog to Digital Converter (ADC). For the high side of the range this can be done by adjusting the gain of the op amp. However, the low side of the range cannot be adjusted and is affected by the output swing of the op amp.

Example:

Assume the output voltage range of the sensor is 0 to 90 mV. The available op amp is a LMP7701, using a 0/+5-V supply voltage, having an output drive of 50 mV from both rails. This results in an output range of 50 mV to 4.95V.

Select two resistors values for R_{G1} and R_{F1} that result in a gain of 50x. The output of the LMP7701 must swing from 0 mV to 4.5 V. The higher value is no problem, however the lower swing is limited by the output of the LM7701 and won't go below 50 mV instead of the desired 0 V, causing a non-linearity in the sensor reading. When using a 12-bit ADC, and a reference voltage of 5 V (having an ADC step size of approximate 1.2 mV), the output saturation results in a loss of the lower 40 quantization levels of the ADCs dynamic range.

7.4.1.2 Two-Stage, Single-Supply True Zero Amplifier

This sensor application produces a DC signal, amplified by a two cascaded op amps, having a single supply. The output voltage of the second op amp is converted to the digital domain. Figure 25 shows the basic setup of this application.

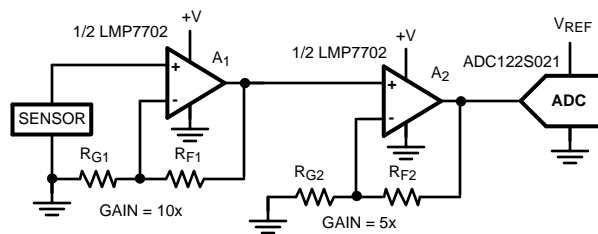


Figure 25. Sensor With DC Output and a 2-Stage, Single-Supply Op Amp

The sensor generates a DC output signal. In this case, a DC coupled, 2-stage amplifier is used. The output voltage swing of the second op amp must be matched to the input voltage range of the Analog to Digital Converter (ADC). For the high side of the range this can be done by adjusting the gain of the op amp. However, the low side of the range can't be adjusted and is affected by the output drive of the op amp.

Example:

Assume; the output voltage range of the sensor is 0 to 90 mV. The available op amp is a LMP7702 (Dual LMP7701 op amp) that can be used for A_1 and A_2 . The op amp is using a 0/+5-V supply voltage, having an output drive of 50 mV from both rails. This results in an output range of 50 mV to 4.95 V for each individual amplifier.

Select two resistors values for R_{G1} and R_{F1} that result in a gain of 10x for the first stage (A_1) and a gain of 5x for the second stage (A_2). The output of the A_2 in the LMP7702 must swing from 0V to 4.5 V. This swing is limited by the 2 different factors:

1. The high voltage swing is no problem; however the low voltage swing is limited by the output saturation voltage of A_2 from the LM7702 and will not go below 50 mV instead of the desired 0 V.
2. Another effect has more impact. The output saturation voltage of the first stage will cause an offset for the input of the second stage. This offset of A_1 is amplified by the gain of the second stage (10x in this example), resulting in an output offset voltage of 500mV. This is significantly more than the 50 mV (V_{DSAT}) of A_2 .

When using a 12-bit ADC, and a reference voltage of 5 Volt (having an ADC step size of approximate 1.2 mV), the output saturation results in a loss of the lower 400 quantization levels of the ADCs dynamic range. This will cause a major non-linearity in the sensor reading.

Device Functional Modes (continued)

7.4.1.3 Dual-Supply, True Zero Amplifiers

The limitations of the output stage of the op amp, as indicated in both examples, can be omitted by using a dual supply op amp. The output stage of the used op amp can then still swing from 50 mV of the supply rails. However, the functional output range of the op amp is now from ground level to a value near the positive supply rail. [Figure 26](#) shows the output drive of an amplifier in a true zero output voltage application.

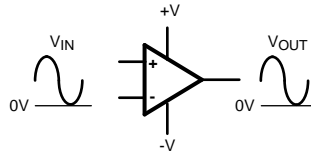


Figure 26. Amplifier Output Drive With a Dual-Supply

Disadvantages of this solution are:

- The usage of a dual-supply instead of a simple single supply is more expensive.
- A dual supply voltage for the op amps requires parts that can handle a larger operating range for the supply voltage. If the op amps used in the current solution cannot handle this, a redesign can be required.

A better solution is to use the LM7705. This low-noise negative bias generator has some major advantages with respect to a dual-supply solution:

- Operates with only a single positive supply, and is therefore a much cheaper solution.
- The LM7705 generates a negative supply voltage of only -0.23 V . This is more than enough to create a True-zero output for most op amps.
- In many applications, this *small* extension of the supply voltage range can be within the abs max rating for many op amps, so an expensive redesign is not necessary.

In the [Typical Application](#) section, a typical amplifier application will be evaluated. The performance of an amplifier will be measured in a single supply configuration. The results will be compared with an amplifier using a LM7705 supplying a negative voltage to the bias pin.

8 Application and Implementation

NOTE

Information in the following applications sections is not part of the TI component specification, and TI does not warrant its accuracy or completeness. TI's customers are responsible for determining suitability of components for their purposes. Customers should validate and test their design implementation to confirm system functionality.

8.1 Application Information

8.1.1 Functional Description

The LM7705, low-noise negative bias generator, can be used for many applications requiring a fixed negative voltage. A key application for the LM7705 is an amplifier with a true zero output voltage using the original parts, while not exceeding the maximum supply voltage ratings of the amplifier.

The voltage inversion in the LM7705 is achieved using a switched capacitor technique with two external capacitors (C_{FLY} and C_{RES}). An internal oscillator and a switching network transfers charge between the two storage capacitors. This switched capacitor technique is given in Figure 27.

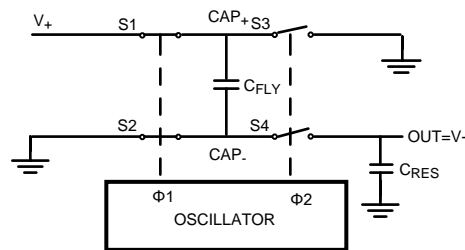


Figure 27. Voltage Inverter

The internal oscillator generates two anti-phase clock signals. Clock 1 controls switches S1 and S2. Clock 2 controls switches S3 and S4. When switches S1 and S2 are closed, capacitor C_{FLY} is charged to V^+ . When switches S3 and S4 are closed (S1 and S2 are open) charge from C_{FLY} is transferred to C_{RES} and the output voltage OUT is equal to $-V^+$.

Due to the switched capacitor technique, a small ripple will be present at the output voltage with a frequency of the oscillator. The magnitude of this ripple will increase for increasing output currents. The magnitude of the ripple can be influenced by changing the values of the used capacitors.

8.1.2 Technical Description

As indicated in *Functional Description*, the main function of the LM7705 is to supply a stabilized negative bias voltage to a load, using only a positive supply voltage. A general block diagram for this charge pump inverter is given in Figure 28. The external power supply and load are added in this diagram as well.

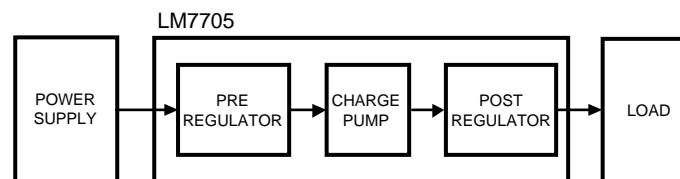


Figure 28. LM7705 Architecture

The architecture given in Figure 28 shows that the LM7705 contains 3 functional blocks:

- Pre-regulator
- Charge pump inverter
- Post-regulator

Application Information (continued)

The output voltage is stabilized by:

- Controlling the power supplied from the power supply to the charge pump input by the pre-regulator
- The power supplied from the charge pump output to the load by the post-regulator.

A more detailed block diagram of the negative bias generator is given in [Figure 29](#). The control of the pre-regulator is based on measuring the output voltage of the charge pump. The goal of the post-regulator is to provide an accurate controlled negative voltage at the output, and acts as a lowpass filter to attenuate the output voltage ripple. The voltage ripple is a result of the switching behavior of the charge pump and is dependent of the output current and the values of the used capacitors.

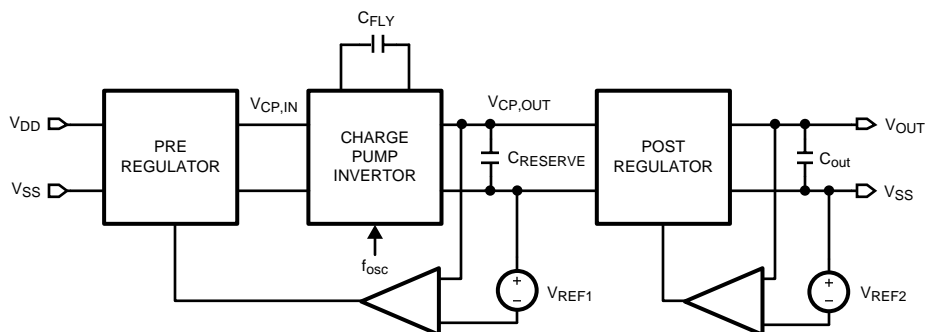


Figure 29. Charge Pump Inverter With Input and Output Control

In [Charge Pump Theory](#), a simple equation will be derived that shows the relation between the ripple of the output current, the frequency of the internal clock generator and the value of the capacitor placed at the output of the LM7705.

8.1.3 Charge Pump Theory

This section uses a simplified but realistic equivalent circuit that represents the basic function of the charge pump. The schematic is given in [Figure 30](#).

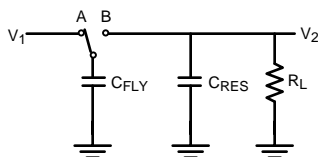


Figure 30. Charge Pump

When the switch is in position A, capacitor C_{FLY} will charge to voltage V_1 . The total charge on capacitor C_{FLY} is $Q_1 = C_{FLY} \times V_1$. The switch then moves to position B, discharging C_{FLY} to voltage V_2 . After this discharge, the charge on C_{FLY} will be $Q_2 = C_{FLY} \times V_2$. The charge has been transferred from the source V_1 to the output V_2 . The amount of charge transferred is:

$$\Delta q = q_1 - q_2 = C_{FLY} (V_1 - V_2) \quad (1)$$

When the switch changes between A and B at a frequency f , the charge transfer per unit time, or current is:

$$I = f \Delta q = f C_{FLY} (V_1 - V_2) \quad (2)$$

The switched capacitor network can be replaced by an equivalent resistor, as indicated in [Figure 31](#).

Application Information (continued)

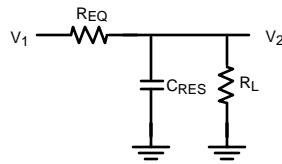


Figure 31. Switched Capacitor Equivalent Circuit

The value of this resistor is dependent on both the capacitor value and the switching frequency as given in [Equation 3](#)

$$I = \frac{V1 - V2}{\left(\frac{1}{f C_{FLY}}\right)} = \frac{V1 - V2}{R_{EQ}} \quad (3)$$

The value for R_{EQ} can be calculated from [Equation 3](#) and is given in [Equation 4](#)

$$R_{EQ} = \left(\frac{1}{f C_{FLY}}\right) \quad (4)$$

[Equation 4](#) show that the value for the resistance at an increased internal switching frequency, allows a lower value for the used capacitor.

8.2 Typical Application

This section shows the measurement results of a true zero output amplifier application with an analog to digital converter (ADC) used as back-end. The biasing of the op amp can be done in two ways:

- A single supply configuration
- A single supply in combination with the LM7705, extending the negative supply from ground level to a fixed -0.23 Voltage.

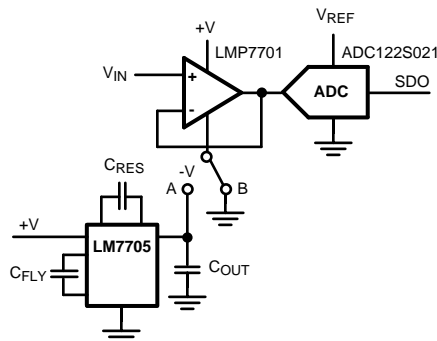


Figure 32. Typical True Zero Output Voltage Application With or Without LM7705

Typical Application (continued)

8.2.1 Design Requirements

The key specifications of the used components are shown in [Table 1](#).

Table 1. Design Parameters

PARAMETERS	EXAMPLE VALUE
SUPPLY VOLTAGE/REFERENCE VOLTAGE	
Supply voltage	5 V
ADC Voltage Reference	5 V
LMP7701	
V_{DSAT} (typical)	18 mV
V_{DSAT} (over temperature)	50 mV
LM7705	
Output voltage ripple	4 mV _{PP}
Output voltage noise	10 mV _{PP}
ADC	
Type	ADC122S021
Resolution	12-bit
Quantization level	$5V/4096 = 1.2 \text{ mV}$

8.2.2 Detailed Design Procedure

8.2.2.1 Basic Setup

The basic setup of this true zero output amplifier is given in [Figure 32](#). The LMP7701 op amp is configured as a voltage follower to demonstrate the output limitation, due to the saturation of the output stage. The negative power supply pin of the op amp can be connected to ground level or to the output of the negative bias generator, to demonstrate the V_{DSAT} effect at the output voltage range.

The output voltage of the LMP7701 is converted to the digital domain using an ADC122S021. This is an 12-bit analog to digital converter with a serial data output. Data processing and graphical displaying is done with a computer. The negative power supply pin of the op amp can be connected to ground level or to the output of the negative bias generator, to demonstrate the effect at the output voltage range of the op amp.

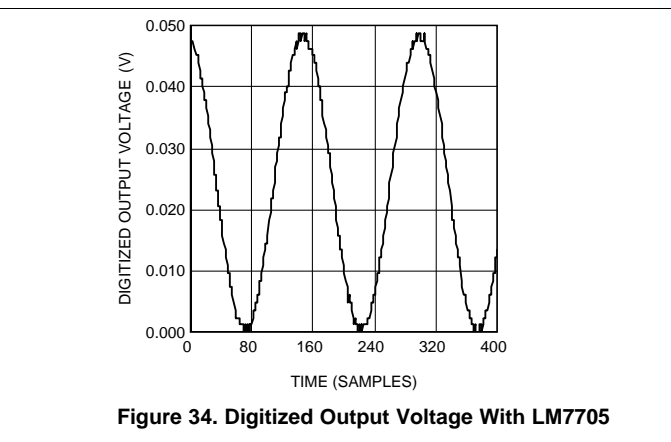
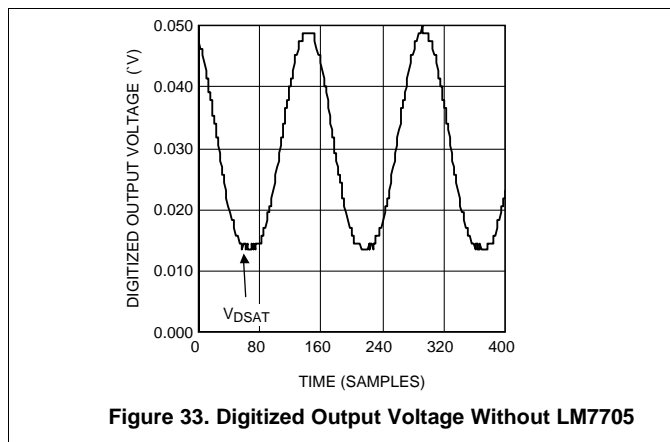
8.2.3 Application Curves

The output voltage range of the LMP7701 has been measured, especially the range to ground level. A small DC signal, with a voltage swing of 50 mV_{PP} is applied to the input. The digitized output voltage of the op amp is measured over a given time period, when its negative supply pin is connected to ground level or connected to the output of the LM7705.

Figure 33 shows the digitized output voltage of the op amp when its negative supply pin is connected to ground level. The output of the amplifier saturates at a level of 14 mV (this is in line with the typical value of 18 mV given in the datasheet) The graph shows some fluctuations (1-bit quantization error). Figure 34 show the digitized output voltage of the op amp when its negative supply pin is connected to the output of the LM7705. Again, the graph shows some 1-bit quantization errors caused by the voltage ripple and output noise. In this case the op amps output level can reach the true zero output level.

Figure 33 and Figure 34 show that:

- With a single supply, the output of the amplifier is limited by the V_{DSAT} of the output stage.
- The amplifier can be used as a true zero output using a LM7705.
- The quantization error of the digitized output voltage is caused by the noise and the voltage ripple.
- Using the LM7705 does not increase the quantization error in this set up.



9 Power Supply Recommendations

To prevent large variations at the V_{DD} pin of the package it is recommended to add a decouple capacitor as close to the pin as possible.

10 Layout

10.1 Layout Guidelines

The LM7705 is a switched capacitor voltage inverter. This means that charge is transferred from different external capacitors, to generate a negative voltage. For this reason the part is very sensitive for contact resistance between the package and external capacitors. TI also recommends to use low ESR capacitors for C_{FLY} , C_{RES} and C_{OUT} in combination with short traces.

The output voltage noise can be suppressed using a small RF capacitor, will a value of, for example, 100 nF.

10.2 Layout Examples

Figure 35 contains a layout example for the LM7705.

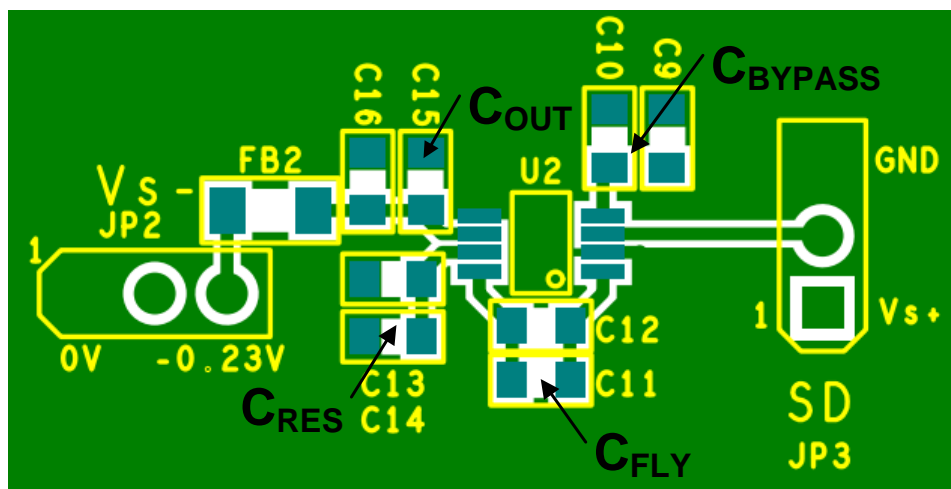


Figure 35. Example PCB Layout: Top layer

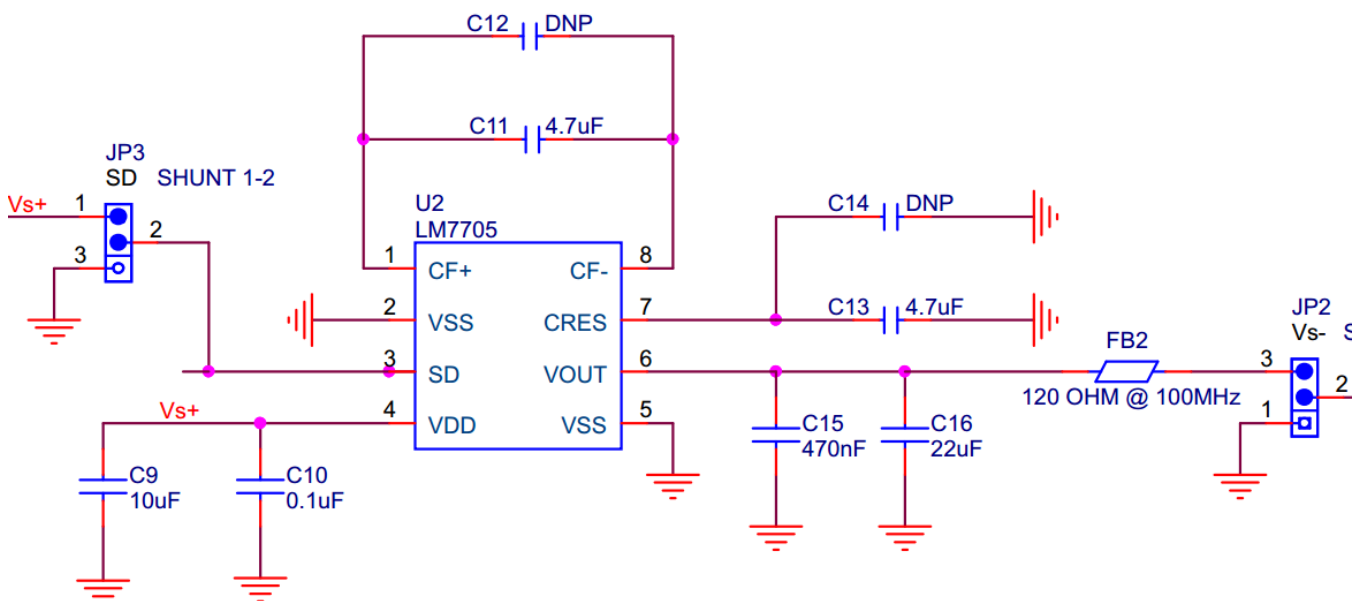


Figure 36. Schematics for Example PCB Layout

11 Device and Documentation Support

11.1 Community Resources

The following links connect to TI community resources. Linked contents are provided "AS IS" by the respective contributors. They do not constitute TI specifications and do not necessarily reflect TI's views; see TI's [Terms of Use](#).

TI E2E™ Online Community *TI's Engineer-to-Engineer (E2E) Community*. Created to foster collaboration among engineers. At e2e.ti.com, you can ask questions, share knowledge, explore ideas and help solve problems with fellow engineers.

Design Support *TI's Design Support* Quickly find helpful E2E forums along with design support tools and contact information for technical support.

11.2 Trademarks

E2E is a trademark of Texas Instruments.
All other trademarks are the property of their respective owners.

11.3 Electrostatic Discharge Caution



These devices have limited built-in ESD protection. The leads should be shorted together or the device placed in conductive foam during storage or handling to prevent electrostatic damage to the MOS gates.

11.4 Glossary

[SLYZ022](#) — *TI Glossary*.

This glossary lists and explains terms, acronyms, and definitions.

12 Mechanical, Packaging, and Orderable Information

The following pages include mechanical, packaging, and orderable information. This information is the most current data available for the designated devices. This data is subject to change without notice and revision of this document. For browser-based versions of this data sheet, refer to the left-hand navigation.

PACKAGING INFORMATION

Orderable Device	Status (1)	Package Type	Package Drawing	Pins	Package Qty	Eco Plan (2)	Lead/Ball Finish (6)	MSL Peak Temp (3)	Op Temp (°C)	Device Marking (4/5)	Samples
LM7705MM/NOPB	ACTIVE	VSSOP	DGK	8	1000	Green (RoHS & no Sb/Br)	SN	Level-1-260C-UNLIM	-40 to 125	F26A	Samples
LM7705MME/NOPB	ACTIVE	VSSOP	DGK	8	250	Green (RoHS & no Sb/Br)	SN	Level-1-260C-UNLIM	-40 to 125	F26A	Samples
LM7705MMX/NOPB	ACTIVE	VSSOP	DGK	8	3500	Green (RoHS & no Sb/Br)	SN	Level-1-260C-UNLIM	-40 to 125	F26A	Samples

(1) The marketing status values are defined as follows:

ACTIVE: Product device recommended for new designs.

LIFEBUY: TI has announced that the device will be discontinued, and a lifetime-buy period is in effect.

NRND: Not recommended for new designs. Device is in production to support existing customers, but TI does not recommend using this part in a new design.

PREVIEW: Device has been announced but is not in production. Samples may or may not be available.

OBsolete: TI has discontinued the production of the device.

(2) **RoHS:** TI defines "RoHS" to mean semiconductor products that are compliant with the current EU RoHS requirements for all 10 RoHS substances, including the requirement that RoHS substance do not exceed 0.1% by weight in homogeneous materials. Where designed to be soldered at high temperatures, "RoHS" products are suitable for use in specified lead-free processes. TI may reference these types of products as "Pb-Free".

RoHS Exempt: TI defines "RoHS Exempt" to mean products that contain lead but are compliant with EU RoHS pursuant to a specific EU RoHS exemption.

Green: TI defines "Green" to mean the content of Chlorine (Cl) and Bromine (Br) based flame retardants meet JS709B low halogen requirements of <=1000ppm threshold. Antimony trioxide based flame retardants must also meet the <=1000ppm threshold requirement.

(3) MSL, Peak Temp. - The Moisture Sensitivity Level rating according to the JEDEC industry standard classifications, and peak solder temperature.

(4) There may be additional marking, which relates to the logo, the lot trace code information, or the environmental category on the device.

(5) Multiple Device Markings will be inside parentheses. Only one Device Marking contained in parentheses and separated by a "-" will appear on a device. If a line is indented then it is a continuation of the previous line and the two combined represent the entire Device Marking for that device.

(6) Lead/Ball Finish - Orderable Devices may have multiple material finish options. Finish options are separated by a vertical ruled line. Lead/Ball Finish values may wrap to two lines if the finish value exceeds the maximum column width.

Important Information and Disclaimer: The information provided on this page represents TI's knowledge and belief as of the date that it is provided. TI bases its knowledge and belief on information provided by third parties, and makes no representation or warranty as to the accuracy of such information. Efforts are underway to better integrate information from third parties. TI has taken and continues to take reasonable steps to provide representative and accurate information but may not have conducted destructive testing or chemical analysis on incoming materials and chemicals. TI and TI suppliers consider certain information to be proprietary, and thus CAS numbers and other limited information may not be available for release.

In no event shall TI's liability arising out of such information exceed the total purchase price of the TI part(s) at issue in this document sold by TI to Customer on an annual basis.

TAPE AND REEL INFORMATION



QUADRANT ASSIGNMENTS FOR PIN 1 ORIENTATION IN TAPE



*All dimensions are nominal

Device	Package Type	Package Drawing	Pins	SPQ	Reel Diameter (mm)	Reel Width W1 (mm)	A0 (mm)	B0 (mm)	K0 (mm)	P1 (mm)	W (mm)	Pin1 Quadrant
LM7705MM/NOPB	VSSOP	DGK	8	1000	178.0	12.4	5.3	3.4	1.4	8.0	12.0	Q1
LM7705MME/NOPB	VSSOP	DGK	8	250	178.0	12.4	5.3	3.4	1.4	8.0	12.0	Q1
LM7705MMX/NOPB	VSSOP	DGK	8	3500	330.0	12.4	5.3	3.4	1.4	8.0	12.0	Q1

TAPE AND REEL BOX DIMENSIONS



*All dimensions are nominal

Device	Package Type	Package Drawing	Pins	SPQ	Length (mm)	Width (mm)	Height (mm)
LM7705MM/NOPB	VSSOP	DGK	8	1000	210.0	185.0	35.0
LM7705MME/NOPB	VSSOP	DGK	8	250	210.0	185.0	35.0
LM7705MMX/NOPB	VSSOP	DGK	8	3500	367.0	367.0	35.0

DGK (S-PDSO-G8)

PLASTIC SMALL-OUTLINE PACKAGE



- NOTES:
- A. All linear dimensions are in millimeters.
 - B. This drawing is subject to change without notice.
 - C. Body length does not include mold flash, protrusions, or gate burrs. Mold flash, protrusions, or gate burrs shall not exceed 0.15 per end.
 - D. Body width does not include interlead flash. Interlead flash shall not exceed 0.50 per side.
 - E. Falls within JEDEC MO-187 variation AA, except interlead flash.



- NOTES:
- A. All linear dimensions are in millimeters.
 - B. This drawing is subject to change without notice.
 - C. Publication IPC-7351 is recommended for alternate designs.
 - D. Laser cutting apertures with trapezoidal walls and also rounding corners will offer better paste release. Customers should contact their board assembly site for stencil design recommendations. Refer to IPC-7525 for other stencil recommendations.
 - E. Customers should contact their board fabrication site for solder mask tolerances between and around signal pads.

IMPORTANT NOTICE AND DISCLAIMER

TI PROVIDES TECHNICAL AND RELIABILITY DATA (INCLUDING DATASHEETS), DESIGN RESOURCES (INCLUDING REFERENCE DESIGNS), APPLICATION OR OTHER DESIGN ADVICE, WEB TOOLS, SAFETY INFORMATION, AND OTHER RESOURCES "AS IS" AND WITH ALL FAULTS, AND DISCLAIMS ALL WARRANTIES, EXPRESS AND IMPLIED, INCLUDING WITHOUT LIMITATION ANY IMPLIED WARRANTIES OF MERCHANTABILITY, FITNESS FOR A PARTICULAR PURPOSE OR NON-INFRINGEMENT OF THIRD PARTY INTELLECTUAL PROPERTY RIGHTS.

These resources are intended for skilled developers designing with TI products. You are solely responsible for (1) selecting the appropriate TI products for your application, (2) designing, validating and testing your application, and (3) ensuring your application meets applicable standards, and any other safety, security, or other requirements. These resources are subject to change without notice. TI grants you permission to use these resources only for development of an application that uses the TI products described in the resource. Other reproduction and display of these resources is prohibited. No license is granted to any other TI intellectual property right or to any third party intellectual property right. TI disclaims responsibility for, and you will fully indemnify TI and its representatives against, any claims, damages, costs, losses, and liabilities arising out of your use of these resources.

TI's products are provided subject to TI's Terms of Sale (www.ti.com/legal/termsofsale.html) or other applicable terms available either on ti.com or provided in conjunction with such TI products. TI's provision of these resources does not expand or otherwise alter TI's applicable warranties or warranty disclaimers for TI products.

Mailing Address: Texas Instruments, Post Office Box 655303, Dallas, Texas 75265
Copyright © 2020, Texas Instruments Incorporated