

LM98501

10-Bit, 27 MSPS Camera Signal Processor

General Description

The LM98501 is a CCD signal processor for electronic cameras. The processor provides a common interface to a number of different image sensors including CCD, CMOS, and CIS. Correlated double sampling reduces kTC noise from the image signal. A fast, temperature stable, 8-bit digitally programmable gain amplifier enables pixel-rate white-balancing. An auxiliary input is provided, allowing for the selection of an external signal, useful for electronic titling and video overlay. The 10-bit A/D converter preserves the image quality with excellent noise performance. The LM98501 also includes the supporting functions of digital black level clamp and power down, ideally suited for portable video applications. This low-power processor is a natural choice for the most demanding imaging systems.

Applications

- Digital still camera
- Digital video camcorder
- Video conferencing
- Security camera
- Plain paper copier
- Flatbed or handheld color scanner
- Video processing for x-ray or infrared
- Barcode scanner

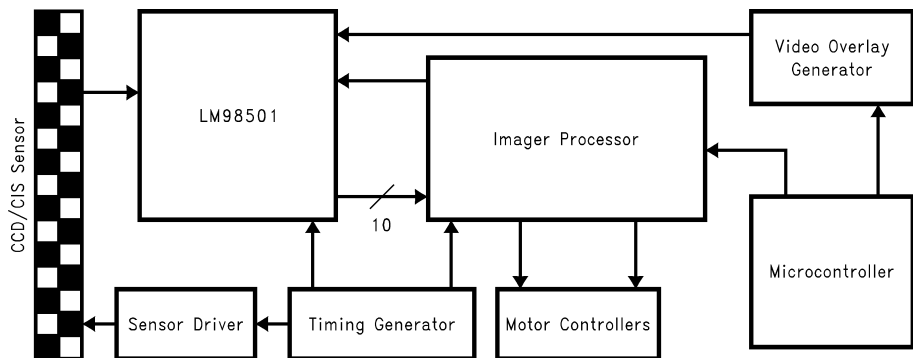
Features

- +3V single power supply
- Low power CMOS design
- 4-wire serial interface
- 2.5V data output voltage swing
- No missing codes
- AUX input with input clamp and programmable gain
- Four color gain and offset registers
- Digital black level clamp
- Small 48-lead LQFP package

Key Specifications

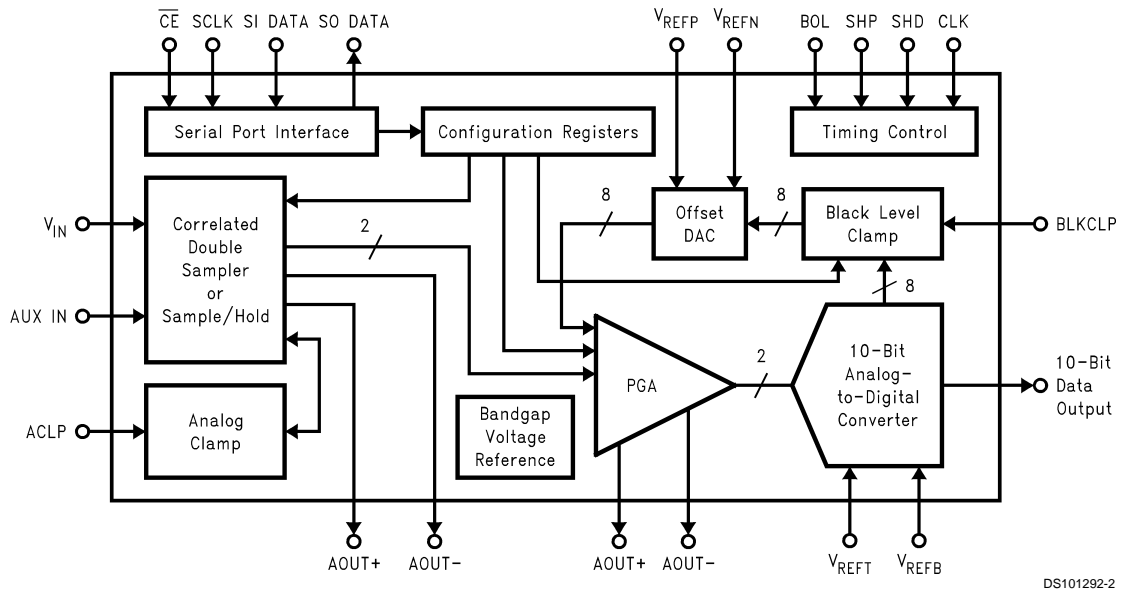
■ Maximum Input Level	1.0V peak-peak
■ CDS Sampling Rate	27 MSPS
■ PGA Gain Steps	256 Steps
■ PGA Gain Range	0.0 dB-32.0 dB
■ ADC Resolution	10-Bit
■ ADC Sampling Rate	27 MSPS
■ *Signal-to-Noise Ratio	60 dB 0 dB Gain, 1.0V Input
■ Power Dissipation	195 mW (typical)
AV+ = DV+ = DV+ I/O = 3.0V	0°C to 70°C
■ Operating Temperature	0°C to 70°C
*20 log ₁₀ (V _{IN} /RMS Output Noise)	

Typical Digital Camera Block Diagram



DS101292-1

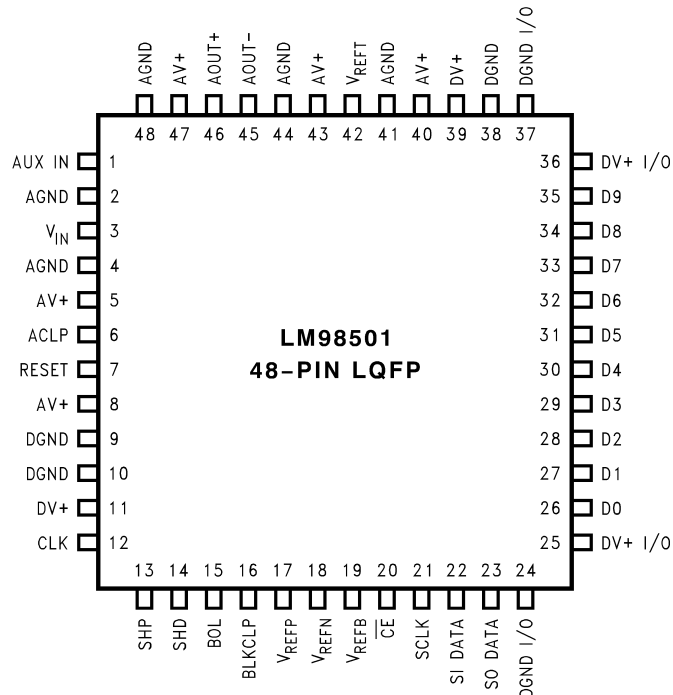
Overall Chip Block Diagram



DS101292-2

FIGURE 1. Chip Block Diagram

LM98501 Chip Pin Out



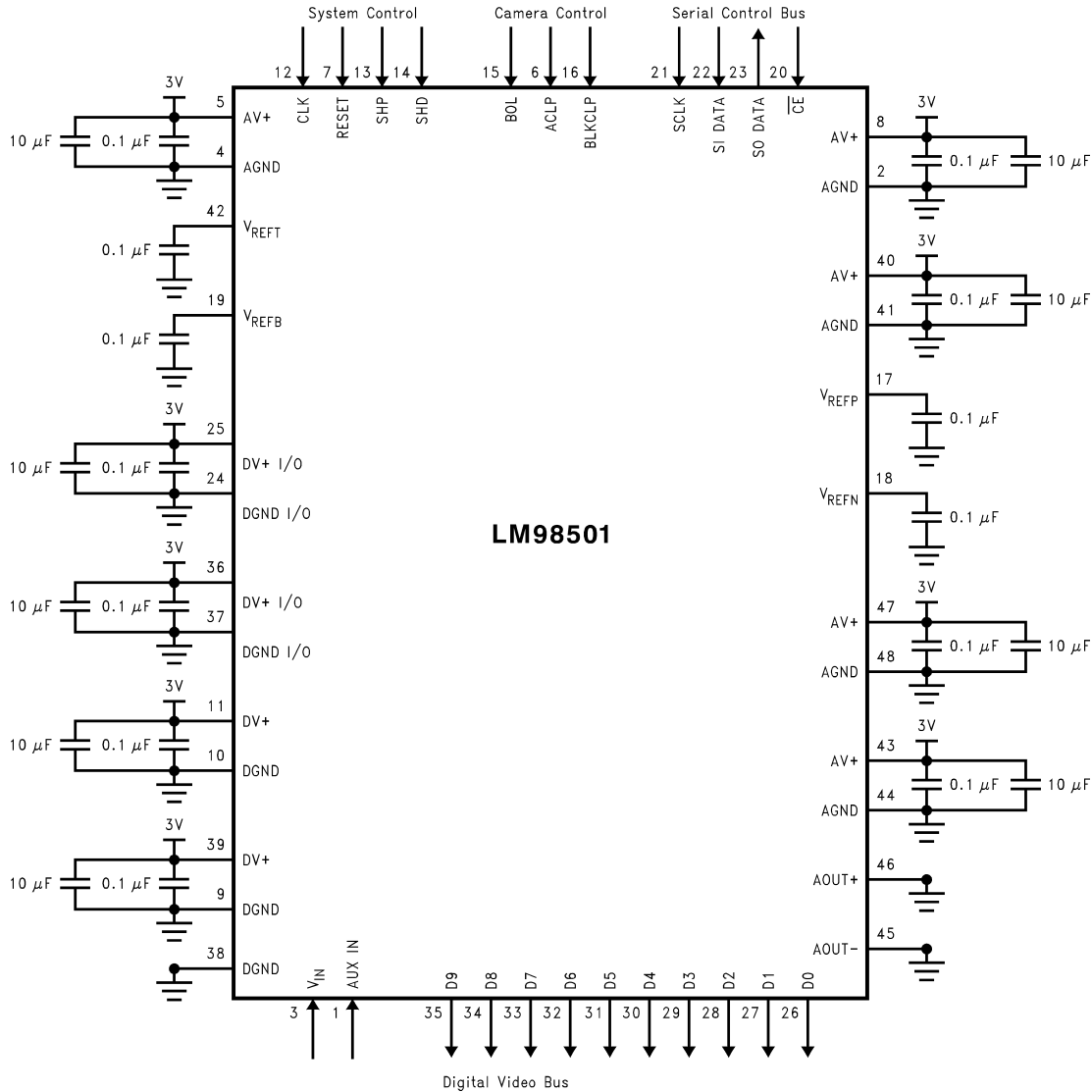
DS101292-3

FIGURE 2. Pin Out Diagram

Ordering Information

Commercial (0°C ≤ T _A ≤ +70°C)	NS Package
LM98501CCVBH	LQFP

Typical Application Circuit



DS101292-4

FIGURE 3. Typical Application Circuit Diagram

Pin Descriptions

Pin	Name	I/O	Typ	Description
1	AUX IN	I	A	Auxiliary analog input.
2	AGND		P	Analog ground return.
3	V _{IN}	I	A	Analog input. AC-couple input signal through a 0.1 μF capacitor
4	AGND		P	Analog ground return.
5	AV+		P	+3V power supply for the analog circuits. Bypass each supply pin with 0.1 μF and 10 μF capacitors in parallel.
6	ACL P	I	D	Analog clamp switch. Float pin when function not being used.
7	RESET	I	D	Active-high master reset. Float pin when function not being used.
8	AV+		P	+3V power supply for the analog circuits. Bypass each supply pin with 0.1 μF and 10 μF capacitors in parallel.
9	DGND		P	Digital ground return.
10	DGND		P	Digital ground return.

Pin Descriptions (Continued)

Pin	Name	I/O	Typ	Description
11	DV+		P	+3V power supply for the digital circuits. Bypass each supply pin with 0.1 μ F and 10 μ F capacitors in parallel.
12	CLK	I	D	27 MHz clock input.
13	SHP	I	D	Correlated double sampler reset voltage clamp override. Programmable active-high or active-low through serial interface. Connect to +3V digital supply when function not being used (register values in default condition).
14	SHD	I	D	Correlated double sampler video signal voltage sample override. Programmable active-high or active-low through serial interface. Connect to +3V digital supply when function not being used (register values in default condition).
15	BOL	I	D	Active-high beginning of line switch input. Hold high during entire line of effective pixels. Hold low during blanking period.
16	BLKCLP	I	D	Active-high black level clamp switch input. Pulse high during black pixels to eliminate black pixel offset from video signal.
17	V _{REFP}	IO	A	Top of DAC reference ladder. Normally bypassed with a 0.1 μ F capacitor. An external DAC reference voltage may be applied to this pin.
18	V _{REFN}	IO	A	Bottom of DAC reference ladder. Normally bypassed with a 0.1 μ F capacitor. An external DAC reference voltage may be applied to this pin.
19	V _{REFB}	IO	A	Bottom of ADC reference ladder. Normally bypassed with a 0.1 μ F capacitor. An external ADC reference voltage may be applied to this pin.
20	\overline{CE}	I	D	Active-low chip enable for the serial interface.
21	SCLK	I	D	Serial interface clock used to decode the serial input data.
22	SI DATA	I	D	Serial interface input port.
23	SO DATA	O	D	Serial interface output port.
24	DGND I/O		P	Digital output driver ground return.
25	DV+ I/O		P	+3V power supply for the digital output driver circuits. Bypass each supply pin with 0.1 μ F and 10 μ F capacitors in parallel.
26	D0	O	D	Digital output. Bit 0 of 9 (LSB) of the digital video output bus.
27	D1	O	D	Digital output. Bit 1 of 9 of the digital video output bus.
28	D2	O	D	Digital output. Bit 2 of 9 of the digital video output bus.
29	D3	O	D	Digital output. Bit 3 of 9 of the digital video output bus.
30	D4	O	D	Digital output. Bit 4 of 9 of the digital video output bus.
31	D5	O	D	Digital output. Bit 5 of 9 of the digital video output bus.
32	D6	O	D	Digital output. Bit 6 of 9 of the digital video output bus.
33	D7	O	D	Digital output. Bit 7 of 9 of the digital video output bus.
34	D8	O	D	Digital output. Bit 8 of 9 of the digital video output bus.
35	D9	O	D	Digital output. Bit 9 of 9 (MSB) of the digital video output bus.
36	DV+ I/O		P	+3V power supply for the digital output driver circuits. Bypass each supply pin with 0.1 μ F and 10 μ F capacitors in parallel.
37	DGND I/O		P	Digital output driver ground return.
38	DGND		P	Digital ground return.
39	DV+		P	+3V power supply for the digital circuits. Bypass each supply pin with 0.1 μ F and 10 μ F capacitors in parallel.
40	AV+		P	+3V power supply for the analog circuits. Bypass each supply pin with 0.1 μ F and 10 μ F capacitors in parallel.
41	AGND		P	Analog ground return.
42	V _{REFT}	IO	A	Top of ADC reference ladder. Normally bypassed with a 0.1 μ F capacitor. An external ADC reference voltage may be applied to this pin.
43	AV+		P	+3V power supply for the analog circuits. Bypass each supply pin with 0.1 μ F and 10 μ F capacitors in parallel.
44	AGND		P	Analog ground return.
45	AOUT-	O	A	Negative differential analog output from correlated double sampler or PGA (selectable through the serial interface).

Pin Descriptions (Continued)

Pin	Name	I/O	Typ	Description
46	AOUT+	O	A	Positive differential analog output from correlated double sampler or PGA (selectable through the serial interface).
47	AV+		P	+3V power supply for the analog circuits. Bypass each supply pin with 0.1 μ F and 10 μ F capacitors in parallel.
48	AGND		P	Analog ground return.

Legend: (I = Input), (O = Output), (IO = Bi-directional), (P = Power), (D = Digital), (A = Analog).

Absolute Maximum Ratings (Notes 1, 2)

If Military/Aerospace specified devices are required, please contact the National Semiconductor Sales Office/Distributors for availability and specifications.

Any Positive Supply Voltage	4.2V
Voltage on Any Input or Output Pin	-0.3V to +4.2V
Input Current at Any Pin (Note 3)	±35 mA
Package Input Current (Note 3)	±50 mA
Package Dissipation at $T_A = 25^\circ\text{C}$ (Note 4)	
ESD Susceptibility (Note 5)	
Human Body Model	2000V
Machine Model	200V
Soldering Temperature Infrared, 10 seconds (Note 6)	260°C

Storage Temperature -65°C to $+150^\circ\text{C}$ **Operating Ratings** (Notes 1, 2)

Operating Temperature Range	$0^\circ\text{C} \leq T_A \leq +70^\circ\text{C}$
All Supply Voltages	+2.7V to +3.3V
V_{IN} Voltage Range	0.0V to AV+
V_{REFT} Voltage Range	2.0V to 2.5V
V_{REFB} Voltage Range	0.4V to 0.9V
V_{REFP} Voltage Range	1.3V to 1.9V
V_{REFN} Voltage Range	1.3V to 1.9V
All Digital Inputs Voltage Range	-0.05V to +3.35V

DC and Logic Level Specifications

The following specifications apply for $DV+ = AV+ = DV + I/O = +3.0V$, $C_L = 10$ pF, and $f_{CLK} = 27$ MHz unless otherwise noted. **Boldface limits apply for $T_A = T_{MIN}$ to T_{MAX} : all other limits $T_A = 25^\circ\text{C}$ (Note 7).**

Symbol	Parameter	Conditions	Min (Note 9)	Typical (Note 8)	Max (Note 9)	Units
DIGITAL INPUT CHARACTERISTICS						
V_{IH}	Logical "1" Input Voltage		2.0			V
V_{IL}	Logical "0" Input Voltage				1.0	V
I_{IH}	Logical "1" Input Current	$V_{IH} = DV+$, Digital Inputs Except Reset		100		nA
		$V_{IH} = DV+$, Reset (internal pull-down resistor)		400		μA
I_{IL}	Logical "0" Input Current	$V_{IL} = DGND$		-100		nA
DIGITAL OUTPUT CHARACTERISTICS						
V_{OH}	Logical "1" Output Voltage	$DV+ = 3.3V$, $I_{OUT} = -0.5$ mA	2.5			V
		$DV+ = 2.7V$, $I_{OUT} = -0.5$ mA	2.3			
V_{OL}	Logical "0" Output Voltage	$DV+ = 3.3V$, $I_{OUT} = 1.6$ mA			0.4	V
		$DV+ = 2.7V$, $I_{OUT} = 1.6$ mA			0.4	
I_{OS}	Output Short Circuit Current			30		mA
POWER SUPPLY CHARACTERISTICS						
IA	Analog Supply Current	$P_D = \text{LOW}$		56.8		mA
		$P_D = \text{HIGH}$		3.1	5.0	mA
ID	Digital Supply Current	$P_D = \text{LOW}$		6.5		mA
		$P_D = \text{HIGH}$		0.1	1.0	mA
ID I/O	Digital Output Driver Supply Current	$P_D = \text{LOW}$		2.3		mA
		$P_D = \text{HIGH}$		0.1	1.0	mA

Power Dissipation Specifications

The following specifications apply for $DV+ = AV+ = DV + I/O = +3.0V$, $C_L = 10$ pF, and $f_{CLK} = 27$ MHz unless otherwise noted. **Boldface limits apply for $T_A = T_{MIN}$ to T_{MAX} : all other limits $T_A = 25^\circ\text{C}$ (Note 7).**

Symbol	Parameter	Conditions	Min (Note 9)	Typical (Note 8)	Max (Note 9)	Units
PWR	Average Power Dissipation	$AV+ = DV+ = DV + I/O = 2.7V$		150		mW
		$AV+ = DV+ = DV + I/O = 3.0V$		195		
		$AV+ = DV+ = DV + I/O = 3.3V$		240		

Correlated Double Sampler Specifications

The following specifications apply for $DV+ = AV+ = DV + I/O = +3.0V$, $C_L = 10$ pF, and $f_{CLK} = 27$ MHz unless otherwise noted. **Boldface limits apply for $T_A = T_{MIN}$ to T_{MAX}** ; all other limits $T_A = 25^\circ C$ (Note 7).

Symbol	Parameter	Conditions	Min (Note 9)	Typical (Note 8)	Max (Note 9)	Units
V_{IN}	Input Voltage Level			1.0		V_{P-P}
I_{IN}	Input Leakage Current		0		10	nA
C_{IN}	Input Capacitance			5		pF
R_{IN}	Input Resistance			10		k Ω
t_{AD}	Aperture Delay			2		ns
t_{SHP}	CLK Falling Edge to SHP Falling Edge			10		
t_{SHD}	CLK Rising Edge to SHD Falling Edge			14		

PGA Specifications

The following specifications apply for $DV+ = AV+ = DV + I/O = +3.0V$, $C_L = 10$ pF, and $f_{CLK} = 27$ MHz unless otherwise noted. **Boldface limits apply for $T_A = T_{MIN}$ to T_{MAX}** ; all other limits $T_A = 25^\circ C$ (Note 7).

Symbol	Parameter	Conditions	Min (Note 9)	Typical (Note 8)	Max (Note 9)	Units
	Gain Resolution			8		Bits
	Step Size	(Gain / Resolution)	0	0.125		dB
	Maximum Gain			32.0		dB
	Minimum Gain			0.0		dB
	Gain Error @ 20 MHz	Deviation from Best-Fit Line after End-Point Correction		± 5		%
	Gain Error @ 27 MHz	Deviation from Best-Fit Line after End-Point Correction		± 5		%

Offset DAC and Black Level Clamp Specifications

The following specifications apply for $DV+ = AV+ = DV + I/O = +3.0V$, $C_L = 10$ pF, and $f_{CLK} = 27$ MHz unless otherwise noted. **Boldface limits apply for $T_A = T_{MIN}$ to T_{MAX}** ; all other limits $T_A = 25^\circ C$ (Note 7).

Symbol	Parameter	Conditions	Min (Note 9)	Typical (Note 8)	Max (Note 9)	Units
R_{REF}	Reference Ladder Resistance			50		k Ω
	Resolution			± 7		Bits
	Offset Adjustment Range	PGA Gain = 1.0 dB		± 93		mV
	Black Level Clamp Accuracy	PGA Gain = 0.0 dB		± 0.5		LSB
		PGA Gain = 32.0 dB		± 0.5		LSB
t_{BLKCLP}	Black Clamp Switch Pulse Width		20			T_{CLK}

Analog to Digital Converter Specifications

The following specifications apply for $DV+ = AV+ = DV + I/O = +3.0V$, $C_L = 10$ pF, and $f_{CLK} = 27$ MHz unless otherwise noted. **Boldface limits apply for $T_A = T_{MIN}$ to T_{MAX}** ; all other limits $T_A = 25^\circ C$ (Note 7).

Symbol	Parameter	Conditions	Min (Note 9)	Typical (Note 8)	Max (Note 9)	Units
R_{REF}	Reference Ladder Resistance		850	1000	1150	k Ω
V_{REFT}	Top of Reference Ladder	V_{REFT} not driven externally		2.25	2.4	V
V_{REFB}	Bottom of Reference Ladder	V_{REFB} not driven externally	0.6	0.75		V
$V_{REFT} - V_{REFB}$	Differential Reference Voltage	V_{REFT} and V_{REFB} not driven externally		1.5		V
	Overrange Output Code	$V_{IN} > V_{REFT}$		1023		
	Underrange Output Code	$V_{IN} < V_{REFB}$		0		
	Guaranteed No Missing Codes		10			Bits

AC Electrical Characteristics

The following specifications apply for $DV+ = AV+ = DV + I/O = +3.0V$, $C_L = 10$ pF, and $f_{CLK} = 27$ MHz unless otherwise noted. **Boldface limits apply for $T_A = T_{MIN}$ to T_{MAX}** ; all other limits $T_A = 25^\circ C$ (Note 7).

Symbol	Parameter	Conditions	Min (Note 9)	Typical (Note 8)	Max (Note 9)	Units
f_{CLK}	Input Clock Frequency		1	27	30	MHz
T_{CLK}	Input Clock Period		33	37	1000	ns
t_{ch}	Clock High Time	@ CLK_{max}	15			ns
t_{cl}	Clock Low Time	@ CLK_{max}	15			ns
	Clock Duty Cycle	@ CLK_{max}		45/55		min/max
t_{rc}, t_{fc}	Clock Input Rise and Fall Time			5		ns
	Pipeline Delay (Latency)			7		T_{CLK}
t_{VALID}	Data Valid Time			27		ns
t_{OH}	Output Data Hold Time		9	13	19	ns
t_{OD}	Output Delay Time		14	20	26	ns

Full Channel Performance Specifications

The following specifications apply for $DV+ = AV+ = DV + I/O = +3.0V$, $C_L = 10$ pF, and $f_{CLK} = 27$ MHz unless otherwise noted. **Boldface limits apply for $T_A = T_{MIN}$ to T_{MAX}** ; all other limits $T_A = 25^\circ C$ (Note 7).

Symbol	Parameter	Conditions	Min (Note 9)	Typical (Note 8)	Max (Note 9)	Units
DNL	Differential Non-Linearity		-1.0	± 0.5	1.5	LSB
INL	Integral Non-Linearity			$+3.0/-1.5$		LSB
*SNR	0 dB Gain, 1.0V Input	@ $f_{CLK} = 27$ MHz		60		dB
		@ $f_{CLK} = 20$ MHz		61		dB
ENOB	Effective Number of Bits	@ $f_{CLK} = 27$ MHz		7.5		Bits
		@ $f_{CLK} = 20$ MHz		7.6		Bits
THD	Total Harmonic Distortion	@ $f_{CLK} = 27$ MHz		-51		dB
		@ $f_{CLK} = 20$ MHz		-60		dB

*20 \log_{10} (V_{IN}/RMS Output Noise)

Note 1: Absolute Maximum Ratings indicate limits beyond which damage to the device may occur. Operating Ratings indicate conditions for which the device is functional, but do not guarantee specific performance limits. For guaranteed specifications and test conditions, see the Electrical Characteristics. The guaranteed specifications apply only for the test conditions listed. Some performance characteristics may degrade when the device is not operated under the listed test conditions.

Note 2: All voltages are measured with respect to GND = AGND = DGND = 0V, unless otherwise specified.

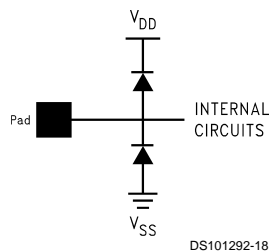
Note 3: When the voltage at any pin exceeds the power supplies ($V_{IN} < GND$ or $V_{IN} > AV+$ or $DV+$), the current at that pin should be limited to 25 mA. The 50 mA maximum package input current rating limits the number of pins that can safely exceed the power supplies with in input current of 25 mA to two.

Note 4: The absolute maximum junction temperature (T_{JMAX}) for this device is $150^\circ C$. The maximum allowable power dissipation is dictated by T_{JMAX} , the junction-to-ambient thermal resistance ($*J_A$), and the ambient temperature (T_A), and can be calculated using the formula $P_{DMAX} = (T_{JMAX} - T_A) * J_A$. In the 48-pin LQFP, $*J_A$ is $69^\circ C/W$, so $P_{DMAX} = 1,811$ mW at $25^\circ C$ and 1,159 mW at the maximum operating ambient temperature of $70^\circ C$. Note that the power dissipation of this device under normal operation will typically be about 180 mW. The values for maximum power dissipation listed above will be reached only when the LM98501 is operated in a severe fault condition.

Note 5: Human body model is 100 pF capacitor discharged through a 1.5 k Ω resistor. Machine model is 220 pF discharged through 0 Ω .

Note 6: See AN450, "Surface Mounting Methods and Their Effect on Product Reliability", or the section entitled "Surface Mount" found in any post 1986 National Semiconductor Linear Data Book, for other methods of soldering surface mount devices.

Note 7: The analog inputs are protected as shown below. Input voltage magnitude up to 500 mV beyond the supply rails will not damage this device. However, input errors will be generated if the input goes above $AV+$ and below AGND.

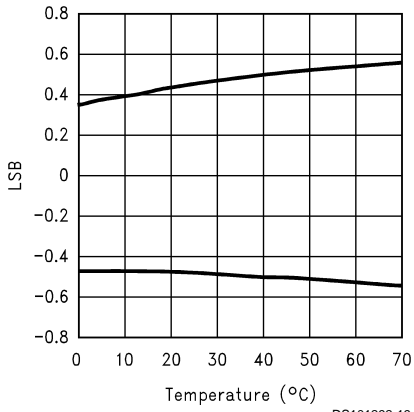


Note 8: Typical figures are at $T_J = 25^\circ C$, and represent most likely parametric norms.

Note 9: Test limits are guaranteed to National's AOQL (Averaging Outgoing Quality Level).

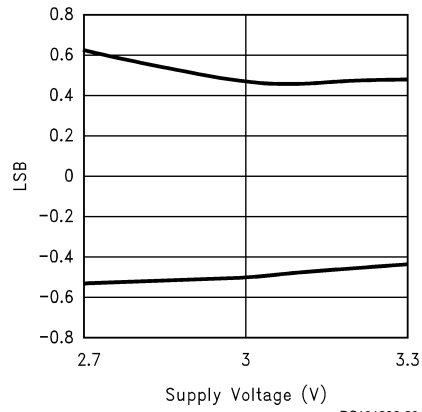
Typical Performance Characteristics

DNL vs. Temperature



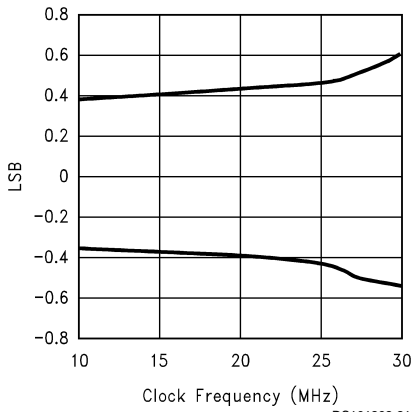
DS101292-19

DNL vs. Supply Voltage



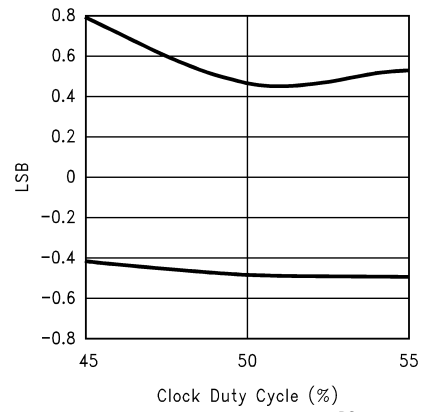
DS101292-20

DNL vs. Clock Frequency



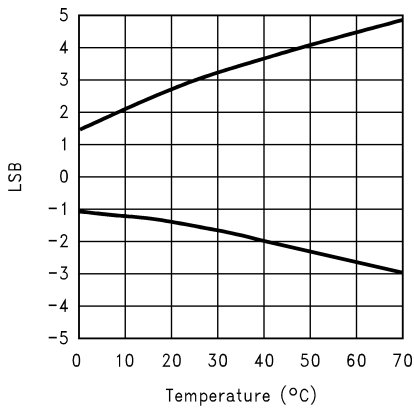
DS101292-21

DNL vs. Clock Duty Supply



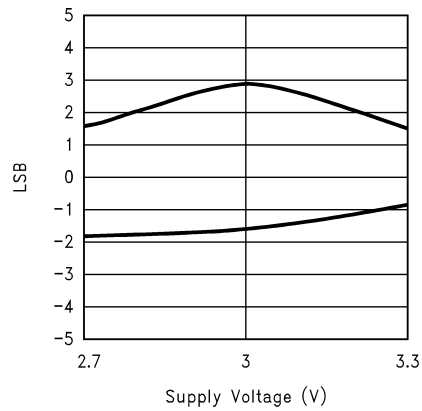
DS101292-22

INL vs. Temperature



DS101292-23

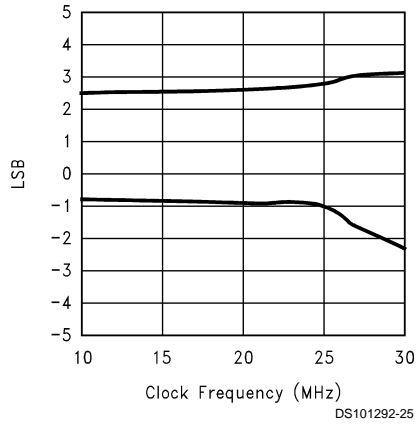
INL vs. Supply Voltage



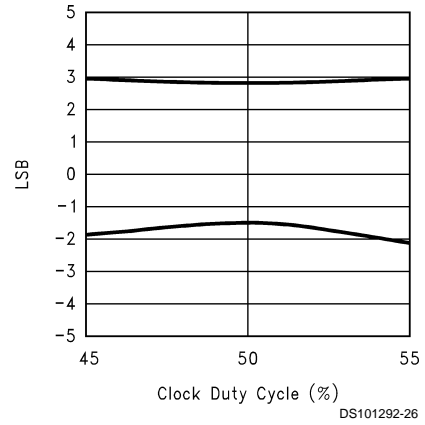
DS101292-24

Typical Performance Characteristics (Continued)

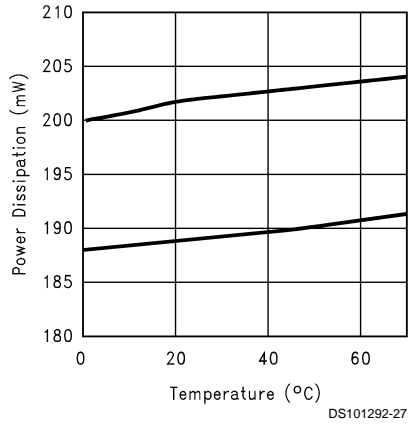
INL vs. Clock Frequency



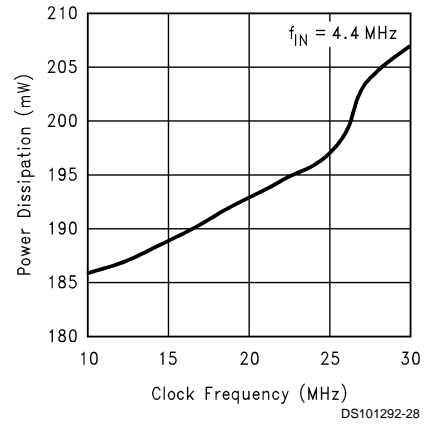
INL vs. Clock Duty Cycle



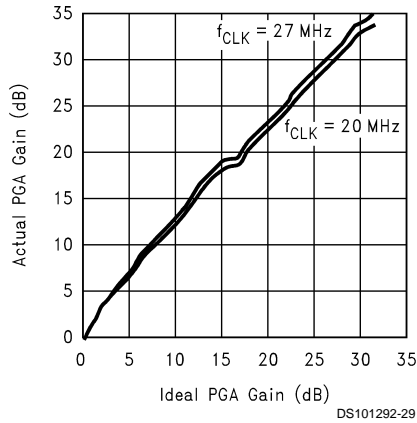
Power Dissipation vs. Temperature



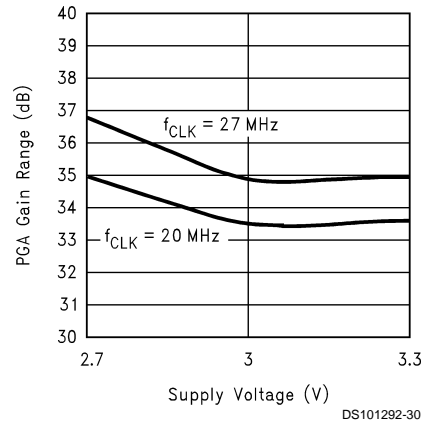
Power Dissipation vs. Clock Frequency



Actual vs. Ideal PGA Gain and Clock Frequency

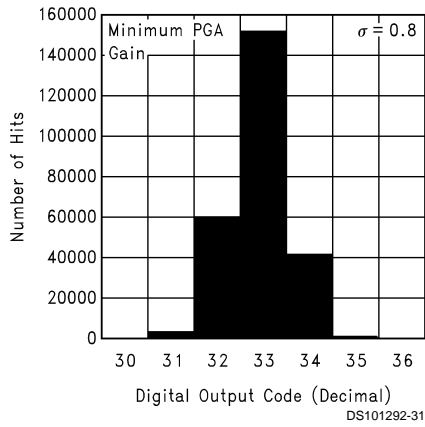


PGA Gain vs. Supply Voltage and Clock Frequency

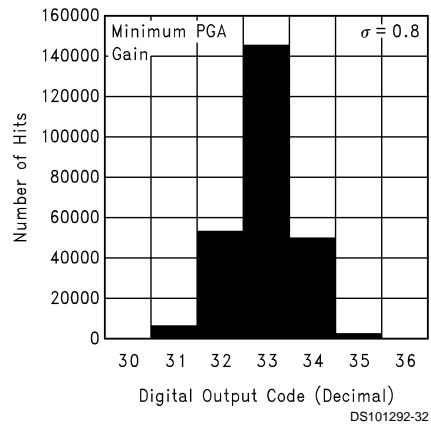


Typical Performance Characteristics (Continued)

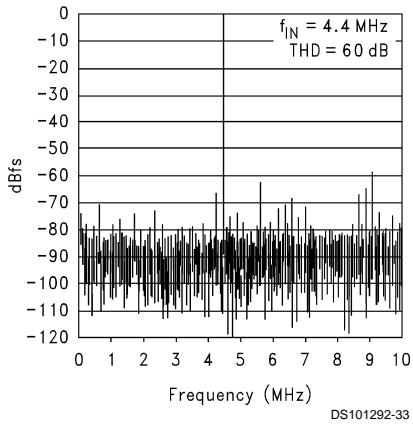
Grounded Input Noise @ 20 MHz Clock Frequency



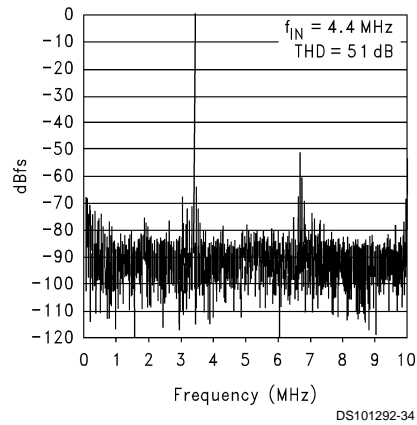
Grounded Input Noise @ 27 MHz Clock Frequency



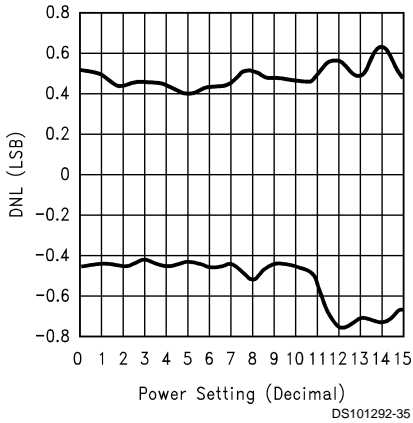
Spectral Response @ 20 MHz Clock Frequency



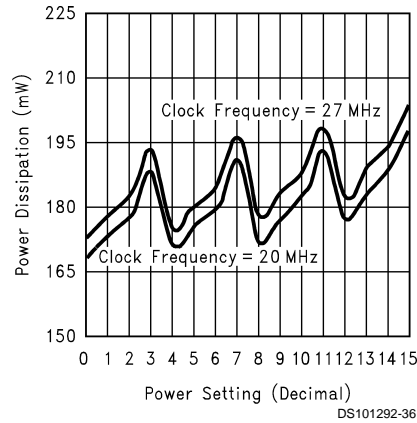
Spectral Response @ 27 MHz Clock Frequency



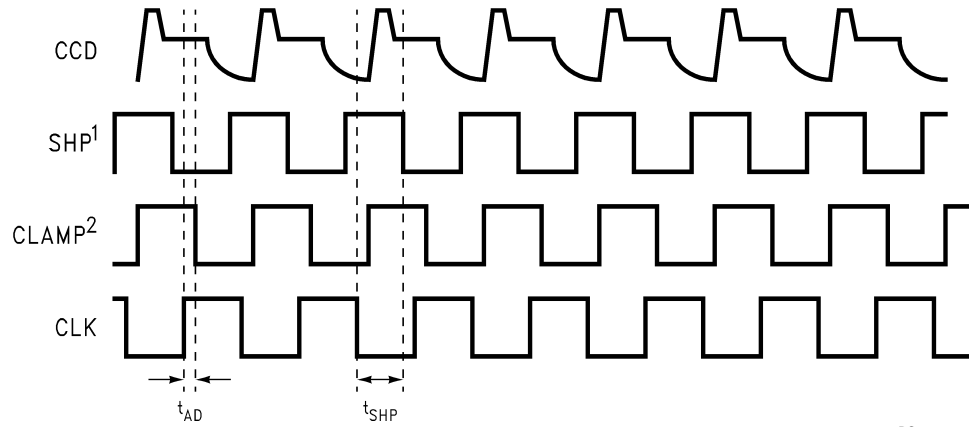
DNL vs. Power Setting @ 27 MHz Clock Frequency



Power Dissipation vs. Power Setting



CDS Sampling Timing

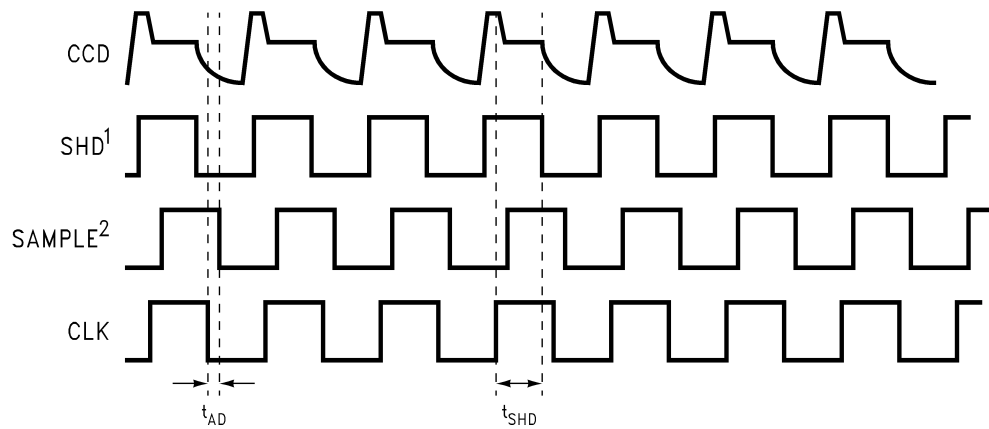


DS101292-5

¹SHP overrides the CLAMP signal's falling edge for sampling the reset voltage (SHP is active-low by default).

²The CLAMP signal is an internal signal derived from the CLK input whose falling edge samples the CCD reset voltage by default.

FIGURE 4. Pixel Rate Reset Voltage Sampling



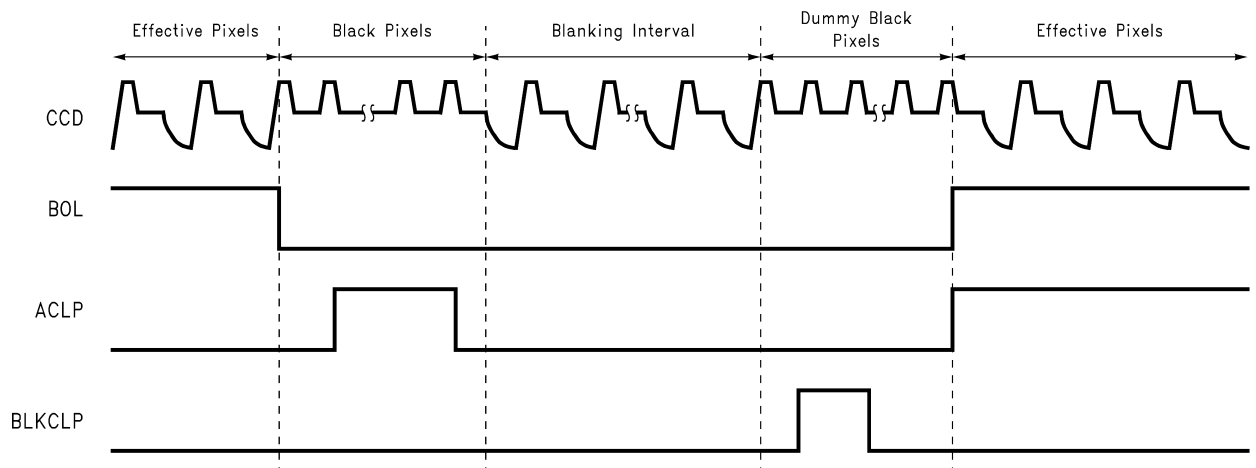
DS101292-6

¹SHP overrides the CLAMP signal's falling edge for sampling the reset voltage (SHD is active-low by default).

²The SAMPLE signal is an internal signal derived from the CLK input whose falling edge samples the CCD video signal by default.

FIGURE 5. Pixel Rate Video Signal Sampling

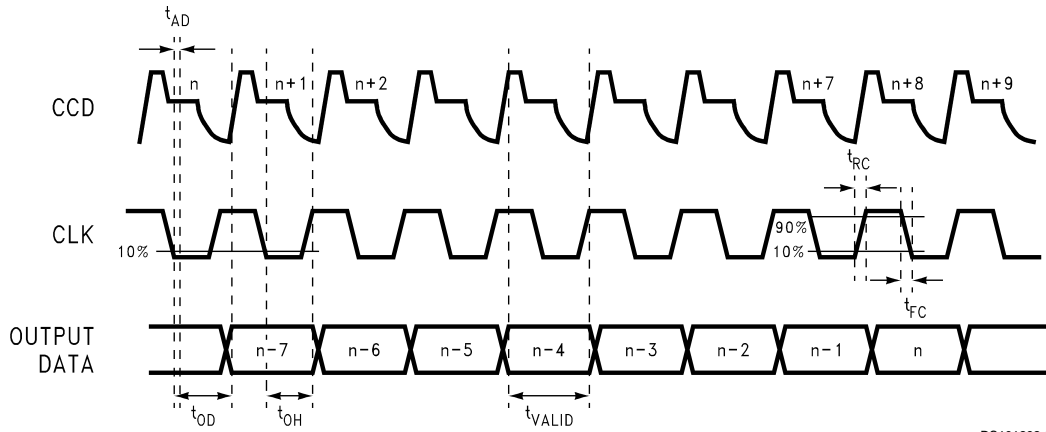
Horizontal Interval Timing



DS101292-7

FIGURE 6. Typical Horizontal Interval Timing

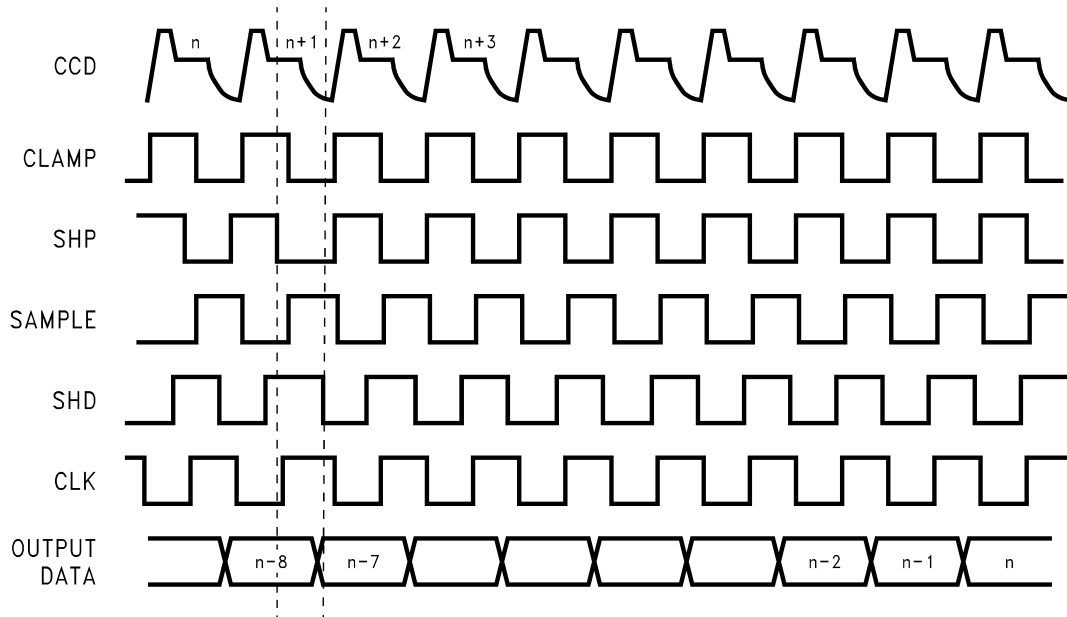
Digital Output Timing



DS101292-8

FIGURE 7. Digital Output Data Timing

System Timing



DS101292-9

FIGURE 8. System Timing

System Overview

INTRODUCTION

The LM98501 is a 10-bit, complete analog-to-digital camera signal processor for use with CCD imager systems operating from a single +3V supply. The internal processing is carefully optimized to maintain the signal-to-noise ratio and excellent dynamic performance of most popular CCD imagers. The system block diagram of the LM98501, shown on the cover page of the datasheet, highlights the main features of the device: correlated double sampling (CDS), 0 dB–32 dB digitally programmable gain amplifier (PGA), digital black level correction feedback loop, 8-bit DAC, analog clamp, bandgap voltage reference, and a 10-bit, 27 MHz analog-to-digital converter.

CORRELATED DOUBLE SAMPLING

Correlated double sampling (CDS) is a key feature in CCD image processors. The sampling process consists of two samples being taken for each pixel. The first stores the reset voltage of the input pixel, and the second stores the video signal amplitude. The two samples are subtracted from one another, effectively removing the reset error offset of each pixel. This sampling system operates at 27 MHz, allowing the use of imagers that have resolution at high speeds. Operation at these higher clock rates generates electronic images similar to a high-speed camera, preventing blurring of the image caused by motion during the exposure.

System Overview (Continued)

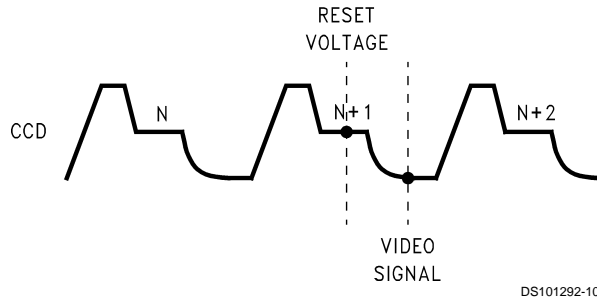


FIGURE 9. Correlated Double Sampling

PROGRAMMABLE GAIN AMPLIFIER

In a CCD imager, there may be millions of photo diodes that normally have some gain variation from pixel to pixel. Other gain errors are generated by the amount of light transmission and the quality of the color filters on the front of each pixel of the imager. These filters make it possible for camera to recognize color; therefore, each filter has to have correct gain in order to generate the electronic voltages that would be equal to white. Luminosity of a scene may have a colorcast, and the gain of a pixel must be changed in order to compensate for the colorcast. These three sources of gain error associated with each pixel are compensated for with a wide bandwidth programmable gain amplifier that operates at a pixel rate. The amplifier has a gain ranging from 0 dB–32 dB, and is “linear in dB” as shown in Figure 16. A linear in dB amplifier contains more gain steps in the lower portion of the gain range so that color balance may be maintained during low light levels.

AUXILIARY INPUT

The LM98501 includes a high-level video switch that allows a recorder playback video signal to be selected instead of the camera image. This feature is especially useful when adding electronic titles to images in the digital domain. In addition, the PGA gain and DAC offset are set to register 0 in

each case; therefore, appropriate gain and offset values should be written to PGA gain and DAC offset register 0 prior AUX IN usage.

BLACK LEVEL CLAMP

CCD signal processors require a reference level for the proper handling of input signals; this reference level is commonly referred to as the black level. The LM98501 is designed to determine a signal's black level during the CCD imager's optical black pixels.

The LM98501 provides both an analog clamp and a digital black level correction loop. Pulsing the ACLP pin during optical black pixels causes the analog clamp circuitry to remove the offset associated with the input signal. During dummy black pixels at the end of a horizontal line, setting the BLKCLP pin for a minimum of 20 CLK cycles enables the digital black level correction loop.

Actual black level correction may be performed through one of two available methods—automatic or manual. In automatic mode, the black level is sampled from the ADC output during black pixels by setting the BLKCLP input of the LM98501. The ADC black level output value is then averaged over eight pixels and subtracted from the desired black level stored in the black level configuration register. The result of the subtraction may then be integrated by a preset scaling factor, effectively smoothing any sharp transitions present in the black level signal, before the resulting error is finally applied to the input of the PGA as an analog offset generated by the DAC. The offset integration scaling factor is stored in two bits of the software control register 0, and the values available range from the full offset to offset divided-by-16. In addition, an offset output enable bit is provided in the software control register 0, which when set, routes the offset value to the digital output bus rather than the DAC. Use of the automatic mode involves enabling the black level offset auto-calibration bit in the software control register 0 through the serial interface.

The manual method is intended for use with processing systems where the desired black level correction loop is external to the LM98501. In this mode, up to four available configuration registers may be used to store predetermined offset values that will be applied on a pixel-rate basis. During the vertical interval, new values may be stored in these registers for each horizontal line.

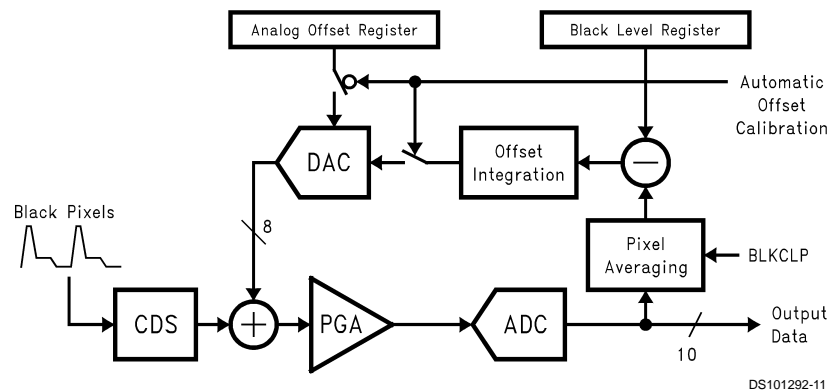


FIGURE 10. Digital Black Level Correction Loop

System Overview (Continued)

ANALOG CLAMP

During optical black pixels, an offset often appears on the CCD generated input signal. This offset may be seen by the CDS circuitry as a valid video signal rather than the actual black level signal; therefore, the LM98501 provides an analog clamp designed to eliminate this offset during black pixels. Pulsing the analog input pin, ACLP, causes the output of the CDS to be sampled by the analog clamp circuitry. Subsequently, an adjustment is made to the CDS reference voltages by the analog clamp to effectively eliminate any offset present in the signal during black pixels.

10-BIT ANALOG-TO-DIGITAL CONVERTER

The selected imager's analog signal is sampled by the CDS and amplified to match the input requirements of the 10-bit analog-to-digital converter by the PGA. The final step performed by the system is to convert the selected analog image to digital values with a 10 bits of resolution. The ADC has differential inputs and outputs (internally) which aids in the coping with headroom constraints common to +3V systems. Data is acquired at the falling edge of the clock and is available at the digital output pins 7.0 clock cycles plus t_{OD} later.

INTERNAL VOLTAGE REFERENCE

An on-board, temperature stable voltage reference is employed based on a differential, continuous-time bandgap circuit. The employment of this on-chip reference eliminates the need for external reference drive circuitry and components, minimizing cost and board space in a design. The use of external bypass capacitors from the reference pins to ground is recommended for reducing reference drive requirements, resulting in reduced power dissipation. A second on-chip reference is used exclusively for the offset DAC and follows the same procedures for bypassing with external capacitors.

INTERNAL TIMING GENERATION

All if the necessary clocks for the CDS and ADC operation are generated internally from the LM98501's master clock input. The CDS sampling clocks may be overridden by the user via the SHP and SHD clock inputs. As depicted in *Figure 4* and *Figure 5*, there are two signals generated internally for CDS sampling referred to as CLAMP and SAMPLE. These signals provide the rising edge reference for the sampling of the CCD input signal. The timing of CLAMP and SAMPLE is derived from the clock; therefore, shifting the clock phasing with respect to the CCD input signal would also shift the rising (and falling) edges of CLAMP and SAMPLE. The actual sampling of the CCD's reset voltage and video signal is performed on the falling edges of the CLAMP and SAMPLE signals respectively. The user may modify the position of the falling edges where the sampling of the CCD input occurs by driving the SHP and SHD inputs of the LM98501. The falling edges of SHP and SHD will supersede the falling edges of CLAMP and SAMPLE respectively and cause the duration of the sample pulse to shorten accordingly. As evidenced in *Figure 4* and *Figure 5*, the falling edges of SHP and SHD should not occur earlier than t_{SHP} or t_{SHD} after the respective falling [SHP] (or rising [SHD]) edge of CLK.

SERIAL INTERFACE AND CONFIGURATION REGISTERS

There are many options available to the user that may be programmed via the LM98501's serial interface. Configuration values are stored in registers for use by several functions such as programmable gain, offset, black level, and color filter array.

The LM98501's serial interface is used to store values into 16 8-bit configuration registers. Upon power-up or external reset, the configuration registers will contain their respective default values. Default values place the LM98501 in 'single channel' mode, where only one PGA gain and offset are applied to the input signal.

The master CLK input is required to be running during serial interface commands. Each command issued through the serial interface must have a minimum of 13 data bits (see *Figures 13, 14*).

PGA GAIN

The four PGA gain registers store four possible gain values for the programmable gain amplifier (PGA). For example, these four gain values may correspond to four possible colors in a color filter array.

ANALOG OFFSET

The analog offset registers store four possible values that correspond to the four gain values. For example, the value stored in the PGA gain register 0 (address 0h) is used in conjunction with the offset value stored in the analog offset register 0 (address 4h). This allows for four possible combinations of PGA gain and analog offset, one for each color filter. These registers are read-only when offset auto-calibration is enabled in the software control register 0. It should be noted that each offset DAC step (1 LSB) corresponds to a 0.4 LSB step at the ADC output. Therefore, if an offset of 20 digital codes is desired at the ADC output, a digital code value of 50 should be stored in the analog offset register(s). As a result, the maximum offset seen at the ADC output as a result of digital code values stored in the analog offset register(s) is ± 54 codes. It is possible to increase the digital output range of the analog offset DAC, resulting in a increased maximum ADC output code corresponding to a given DAC input. For more information on increasing the DAC range, please see *ANALOG OFFSET DAC RANGE ADJUSTMENT*.

OUTPUT BLACK LEVEL

The output black level register is occupied by an 8-bit word stored by the user that specifies the output level corresponding to optical black. For example, a user that wants an output level of 16 for black pixels must write this value into the register during the horizontal interval. Once this has been accomplished, driving the BLKCLP high for 20 cycles of CLK activates the digital black clamp loop and the black level is forced to the value stored in the output black level register, in the example case the code value of 16. As a result of the relationship between the DAC input and the ADC output (see 'Analog Offset'), the largest output black level code the LM98501 is capable of clamping to is 54 codes.

System Overview (Continued)

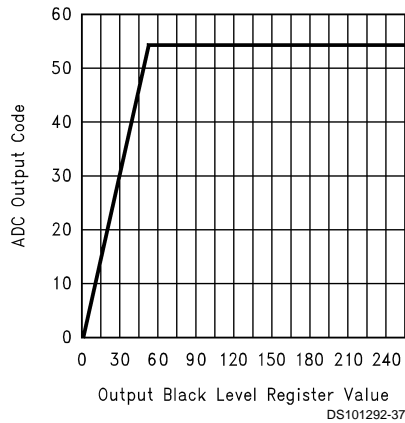


FIGURE 11. ADC Output vs. Black Level Register Value

COLOR FILTER ARRAY (CFA) CONFIGURATION

In order to utilize the LM98501's programmable pixel-rate gain, a color filter array (CFA) pattern must be defined. Some commonly used CFA patterns are as follows:

Bayer Pattern				
Line 0	Green	Red	Green	Red
Line 1	Blue	Green	Blue	Green

CMYG Pattern				
Line 0	Cyan	Magenta	Yellow	Green
Line 1	Cyan	Green	Yellow	Magenta

Therefore, two 8-bit words must be written to the CFA line registers to specify the CFA pattern being used. Also, two 2-bit numbers must be written to the CFA definition register indicating the number of pixels per pattern in each line of the defined CFA pattern. The information contained in the CFA line registers indicates the registers where the respective PGA gain and offset values are stored. For example, a system using the Bayer pattern defined above would first write four PGA gains and their respective offsets into the four PGA gain and four analog offset registers. Next, two 8-bit words (one word/CFA line) would be written to the CFA configuration registers. The 8-bit CFA configuration words each consist of four 2-bit numbers, each of which is the address for the gain and offset values of the color that appears in that location in the CFA line. Finally, two 2-bit numbers specifying the number of elements in each CFA line must be written into the CFA definition register. A CFA configuration will then contain four 2-bit numbers indicating the registers where the gain and offset values are located for a maximum of four colors on each CFA line. In addition, the CFA definition register will contain two 2-bit numbers that designate the number of elements used in each CFA line for the particular CFA pattern being applied to the system.

Example A contains a CFA pattern that repeats the colors cyan and magenta on the first line, and repeats the pattern blue, green, green, blue on the second line. Each 2-bit number in the CFA line registers refers to a common set of PGA gain and offset registers for each color. The first line indi-

cates that the color magenta uses the gain and offset values stored in PGA gain register 1 (address 1h) and analog offset register 1 (address 5h). Also, the first line indicates that the color cyan uses the gain and offset values in PGA gain register 2 (address 2h) and analog offset register 2 (address 6h). The second line indicates gain and offset values for the color blue and the color green in the same fashion as the first line.

Example A				
	7			0
CFA Line 0	XX	XX	01	10
CFA Line 1	11	00	00	11
CFA Definition	00	00	11	01

In addition to specifying the gain and offset for each line, it is also necessary to specify the number of elements contained in each CFA line's pixel pattern. The CFA definition register is used to store this value (number of elements per line). In example A, the user has stored the 2-bit binary number **01** into the CFA definition register's two LSB's indicating that the pattern in line 0 contains two repeating colors or elements. Also, the 2-bit binary number **11** has been written into bit 2 and bit 3 of the CFA definition register indicating that the respective CFA pattern contains four repeating colors or elements, as the colors blue and green alternate position in the example pattern.

Once both lines for the pattern have been stored, it is applied when the beginning of line (BOL) signal is asserted by the user. One line of the CFA pattern is applied repeatedly until the BOL signal is reset (at the end of the current line). Once the BOL signal is set again, the CFA line information is changed from that defined by the CFA line 0 register to that defined by the CFA line 1 register and the process starts again. For more details of the timing of the BOL signal, please refer to *Figure 6*.

SOFTWARE CONTROL

There are two software control registers accessible via the serial interface. The software control registers are divided into customer (register 0) and advanced (register 1) functions. Please refer to the register data descriptions for more information on the software control registers.

POWER LEVEL CONTROL

The LM98501 is equipped with two power trim registers that may be used to adjust power levels of various circuits internal to the device. In its default condition, the LM98501 is set for optimum power and performance, and modifying the values stored in the power level control registers will affect performance as a result of the change in power level(s). In applications where maximum performance is desired, the default values should be used. Otherwise, power levels may be decreased at the slight expense of performance. Please refer to the register data descriptions for more information regarding the power level control registers.

The ADC coarse and fine bank power adjustment bits are located in the power level control 2 register, bits 7:4. Altering these bits may significantly affect performance and power dissipation. Please see "DNL vs. Power Control Setting @ 27 MHz Clock Frequency" and "Power Dissipation vs. Power Control Setting" on page 11.

Register Memory Map

Title	Address	Default Value
PGA Gain 0	0000	0000 0000 (0d)
PGA Gain 1	0001	0000 0000 (0d)
PGA Gain 2	0010	0000 0000 (0d)
PGA Gain 3	0011	0000 0000 (0d)
Analog Offset 0	0100	0000 0000 (0d)
Analog Offset 1	0101	0000 0000 (0d)
Analog Offset 2	0110	0000 0000 (0d)
Analog Offset 3	0111	0000 0000 (0d)
CFA Configuration 0	1000	0000 0000 (0d)
CFA Configuration 1	1001	0000 0000 (0d)
CFA Definition	1010	XXXX 0000 (0d)
Output Black Level	1011	0001 0000 (32d)
Software Control 0	1100	0100 1110 (78d)
Software Control 1	1101	XX00 0X00 (0d)
Power Level Control 0	1110	1010 1010 (170d)
Power Level Control 1	1111	0101 1010 (90d)

FIGURE 12. Register Memory Map

Register Data

The following section describes all available registers in the LM98501 register bank and their functions.

PGA GAIN REGISTERS

Register Name **PGA Gain 0**

Address **0 Hex**

Type **Read/Write**

Reset Value **0000 0000 Binary**

Bit	Bit Symbol	Description
[7:0]	PGA Gain	0.0 dB–32.0 dB in 0.125 dB steps.

Register Name **PGA Gain 1**

Address **1 Hex**

Type **Read/Write**

Reset Value **0000 0000 Binary**

Bit	Bit Symbol	Description
[7:0]	PGA Gain	0.0 dB–32.0 dB in 0.125 dB steps.

Register Name **PGA Gain 2**

Address **2 Hex**

Type **Read/Write**

Reset Value **0000 0000 Binary**

Bit	Bit Symbol	Description
[7:0]	PGA Gain	0.0 dB–32.0 dB in 0.125 dB steps.

Register Name **PGA Gain 3**

Address **3 Hex**

Type **Read/Write**

Reset Value **0000 0000 Binary**

Bit	Bit Symbol	Description
[7:0]	PGA Gain	0.0 dB–32.0 dB in 0.125 dB steps.

ANALOG OFFSET REGISTERS

Register Name **Analog Offset 0**

Address **4 Hex**

Type **Read/Write**

Reset Value **0000 0000 Binary**

Bit	Bit Symbol	Description
[7:0]	Signed Analog Offset	Digital representation of the analog offset to be applied to the input of the PGA. See “Analog Offset” on page 15.

Register Name **Analog Offset 1**

Address **5 Hex**

Type **Read/Write**

Reset Value **0000 0000 Binary**

Bit	Bit Symbol	Description
[7:0]	Signed Analog Offset	Digital representation of the analog offset to be applied to the input of the PGA. See “Analog Offset” on page 15.

Register Name **Analog Offset 2**

Address **6 Hex**

Type **Read/Write**

Reset Value **0000 0000 Binary**

Register Data (Continued)

Bit	Bit Symbol	Description
[7:0]	Signed Analog Offset	Digital representation of the analog offset to be applied to the input of the PGA. See "Analog Offset" on page 15.

Register Name Analog Offset 3

Address 7 Hex
Type Read/Write
Reset Value 0000 0000 Binary

Bit	Bit Symbol	Description
[7:0]	Signed Analog Offset	Digital representation of the analog offset to be applied to the input of the PGA. See "Analog Offset" on page 15.

COLOR FILTER ARRAY REGISTERS

Register Name Color Filter Array Configuration 0

Address 8 Hex
Type Read/Write
Reset Value 0000 0000 Binary

Bit	Bit Symbol	Description
[7:6]	Line0:Pixel3 Gain/Offset	2 LSB's of register addresses where the gain and offset for pixel 3 of the CFA pattern are stored.
[5:4]	Line0:Pixel2 Gain/Offset	2 LSB's of register addresses where the gain and offset for pixel 2 of the CFA pattern are stored.
[3:2]	Line0:Pixel1 Gain/Offset	2 LSB's of register addresses where the gain and offset for pixel 1 of the CFA pattern are stored.
[1:0]	Line0:Pixel0 Gain/Offset	2 LSB's of register addresses where the gain and offset for pixel 0 of the CFA pattern are stored.

Register Name Color Filter Array Configuration 1

Address 9 Hex
Type Read/Write
Reset Value 0000 0000 Binary

Bit	Bit Symbol	Description
[7:6]	Line1:Pixel3 Gain/Offset	2 LSB's of register addresses where the gain and offset for pixel 3 of the CFA pattern are stored.
[5:4]	Line1:Pixel2 Gain/Offset	2 LSB's of register addresses where the gain and offset for pixel 2 of the CFA pattern are stored.

Bit	Bit Symbol	Description
[3:2]	Line1:Pixel1 Gain/Offset	2 LSB's of register addresses where the gain and offset for pixel 1 of the CFA pattern are stored.
[1:0]	Line1:Pixel0 Gain/Offset	2 LSB's of register addresses where the gain and offset for pixel 0 of the CFA pattern are stored.

Register Name Color Filter Array Definition

Address A Hex
Type Read/Write
Reset Value XXXX 0000 Binary

Bit	Bit Symbol	Description
[3:2]	Line 1 Pixels	Number of pixels in CFA pattern defined in CFA line 1.
[2:1]	Line 0 Pixels	Number of pixels in CFA pattern defined in CFA line 0.

OUTPUT BLACK LEVEL REGISTER

Register Name Output Black Level

Address B Hex
Type Read/Write
Reset Value 0001 0000 Binary

Bit	Bit Symbol	Description
[7:0]	Black Level	0–256 output black level digital code value. (see "Output Black Level" on page 15)

SOFTWARE CONTROL REGISTERS

Register Name Software Control 0 (Customer)

Address C Hex
Type Read/Write
Reset Value 0100 1110 Binary

Bit	Bit Symbol	Description
[7]	Offset Output Enable	Directs the offset error calculated by the digital black level correction loop to the 10 digital output data pins.
[6]	Serial Output Enable	Enables the serial interface output for reading register values.
[5:4]	Offset Integration	Offset integration factor selection: 00 No Scaling 01 Divide-by-4 10 Divide-by-8 11 Divide-by-16

Register Data (Continued)

Bit	Bit Symbol	Description
[3]	Offset Auto-Calibration Enable	Enables the digital black level correction loop. <i>Analog offset registers are read-only when offset auto-calibration is enabled.</i>
[2]	SHP/SHD Active-HIGH Enable	Inverts the SHP and SHD inputs causing the CDS to sample on the rising edges of SHP and SHD. <i>Sampling is performed on the falling edges of SHP and SHD when the signals are Active-low.</i>
[1]	CDS Enable (AUX-In Disable)	Instructs the CDS to sample the CCD input. <i>Otherwise, the AUX In input is sampled in sample-and-hold mode.</i>
[0]	Analog Power Down	Cuts power to the on-chip analog circuitry including the CDS, PGA, ADC, and bandgap references.

Register Name Software Control 1 (Customer)

Address D Hex
Type Read/Write
Reset Value XX00 0X00 Binary

Bit	Bit Symbol	Description
[5:4]	Analog Output Select	Routes the selected internal analog signal to the differential analog output pins AOUT+ and AOUT-. 00 CDS 01 PGA Stage 1 10 PGA Stage 2 11 PGA Stage 3
[3]	Analog Output Enable	Enables the differential analog output pins AOUT+ and AOUT-. If the analog outputs are disabled, the pins should not be loaded.
[1]	ADC Reference Select	Reference biasing selection for the analog-to-digital converter. 0 Passive Biasing (Resistors) 1 Active Biasing (Bandgap)
[0]	DAC Reference Select	Reference biasing selection for the digital-to-analog converter. 0 Active Biasing (Bandgap) 1 Passive Biasing (Resistors)

Register Name Power Level Control 0

Address E Hex
Type Read/Write
Reset Value 1010 1010 Binary

Bit	Bit Symbol	Description
[7:6]	PGA Stage 1 Amplifier Bias	Adjusts the power level of the PGA stage 1 amplifier. The power level is relative to the value of the binary number stored.
[5:4]	PGA Common-Mode Input Bias	Adjusts the power level of the PGA common-mode input. The power level is relative to the value of the binary number stored.
[3:2]	CDS Amplifier Bias	Adjusts the power level of the CDS amplifier. The power level is relative to the value of the binary number stored.
[1:0]	CDS Common-Mode Input Bias	Adjusts the power level of the CDS common-mode input. The power level is relative to the value of the binary number stored.

Register Name Power Level Control 1

Address F Hex
Type Read/Write
Reset Value 0101 1010 Binary

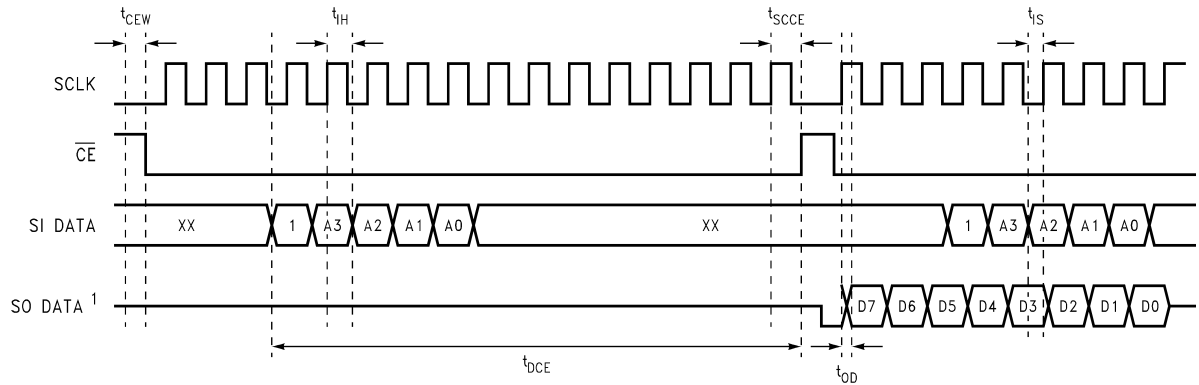
Bit	Bit Symbol	Description
[7:6]	ADC Coarse Bank Bias	Adjusts the power level of the ADC coarse bank. The power level is relative to the value of the binary number stored.
[5:4]	ADC Fine Bank Bias	Adjusts the power level of the ADC fine bank. The power level is relative to the value of the binary number stored.
[3:2]	PGA Stage 3 Amplifier Bias	Adjusts the power level of the PGA stage 3 amplifier. The power level is relative to the value of the binary number stored.
[1:0]	PGA Stage 2 Amplifier Bias	Adjusts the power level of the PGA stage 2 amplifier. The power level is relative to the value of the binary number stored.

Serial Interface Timing Specifications

The following specifications apply $AV+ = DV+ = DV + I/O = +3.0V$, $C_L = 10\text{ pF}$, and $f_{CLK} = 27\text{ MHz}$ unless otherwise noted. **Boldface limits apply for $T_A = T_{MIN}$ to T_{MAX}** ; all other limits $T_A = 25^\circ\text{C}$ (Note 7).

Symbol	Parameter	Conditions	Min (Note 9)	Typical (Note 8)	Max (Note 9)	Units
t_{MIN}	SCLK Period		36			ns
	SCLK Duty Cycle		40/60	50/50	60/40	%
	SCLK Rise/Fall Time				4	ns
t_{IH}	Input Hold Time		5			ns
t_{IS}	Input Setup Time		6			ns
t_{CESC}	SCLK Start Time after \overline{CE} Low		10			ns
t_{SCCE}	\overline{CE} Low after Last SCLK Rising Edge		5			ns
t_{CEW}	\overline{CE} Pulse Width	MCLK must be active during serial interface commands.	2			T_{CLK}
t_{DCE}	Input Data to \overline{CE} Rising Edge		15			t_{MIN}
t_{OD}	Output Delay Time				15	ns

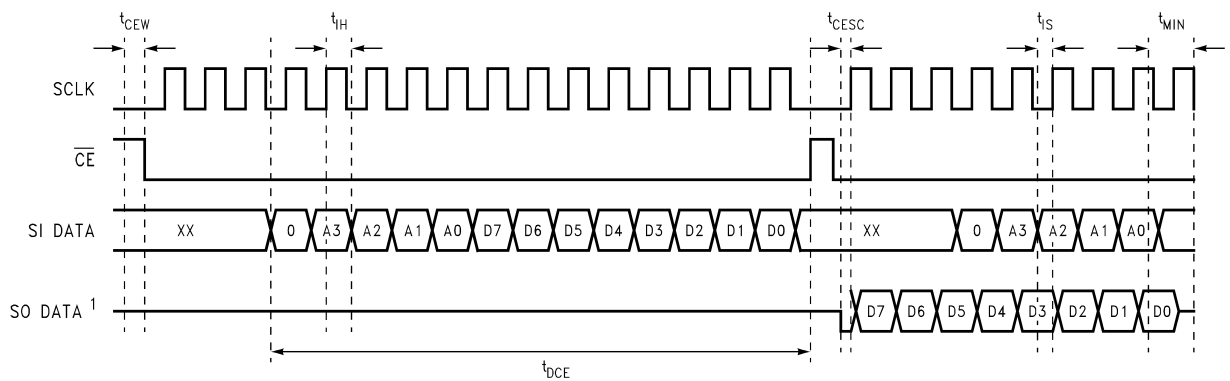
Serial Interface Timing



DS101292-12

¹Serial output enable must be set in software control 0 for SO DATA output. Please see *Register Data* section for more information.

FIGURE 13. Serial Interface Read Command Timing



DS101292-13

¹Serial output enable must be set in software control 0 for SO DATA output. Please see *Register Data* section for more information.

FIGURE 14. Serial Interface Write Command Timing

PGA Gain Plots

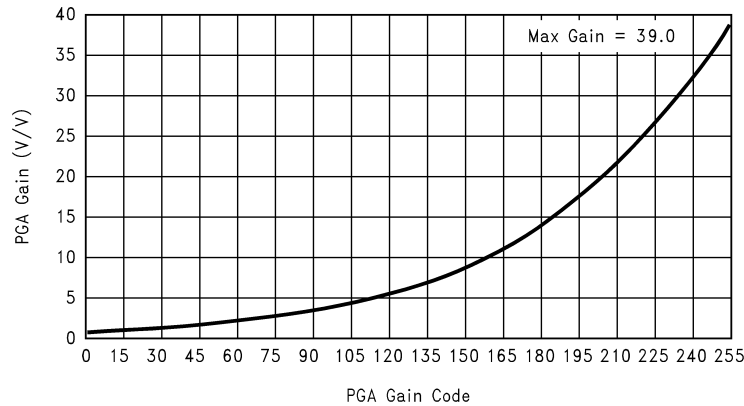


FIGURE 15. PGA Gain (Linear Scale) vs. PGA Gain Code

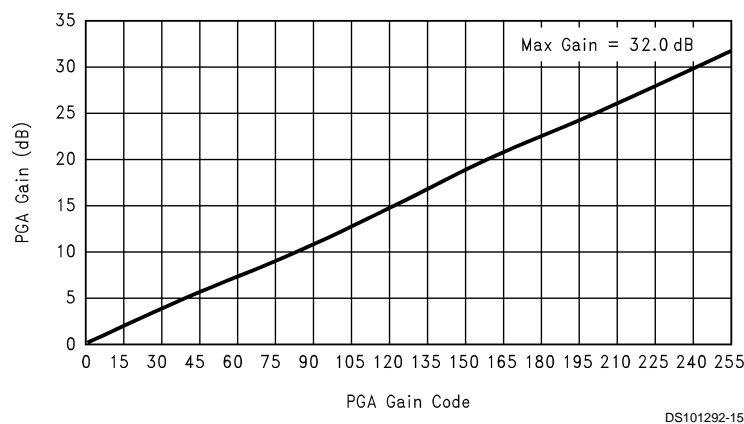


FIGURE 16. PGA Gain (Logarithmic Scale) vs. PGA Gain Code

Applications Information

ANALOG-TO-DIGITAL CONVERTER REFERENCE BYPASSING

Figure 17 shows a simple reference bypassing scheme with minimal components. The V_{REFT} and V_{REFB} pins should each be bypassed to analog ground with $10\ \mu\text{F}$ tantalum as well as $0.1\ \mu\text{F}$ ceramic capacitors. In a case where the internally generated reference voltages are not sufficient, the user may supply external voltages to the reference pins. However, the reference pin V_{REFT} should be within the range of 2.0V to 2.5V. Similarly, V_{REFB} should be driven in the range of 0.4V to 0.9V. Any device used to drive the reference pins should be able to source adequate current into the V_{REFT} and sink adequate current from the V_{REFB} pin when the reference resistor ladder is at its minimum resistivity of $850\ \Omega$.

The reference voltage at the top of the resistor ladder (V_{REFT}) may be as low as 1.2V above the voltage at the bottom of the resistor ladder (V_{REFB}) and may be as high as 1.8V above. V_{REFB} may be as low as 0.4V and as high as 0.9V above ground. However, noise effects will be minimized and accurate conversions insured when the total reference voltage is approximately 2.25V and offset from ground by 0.75V.

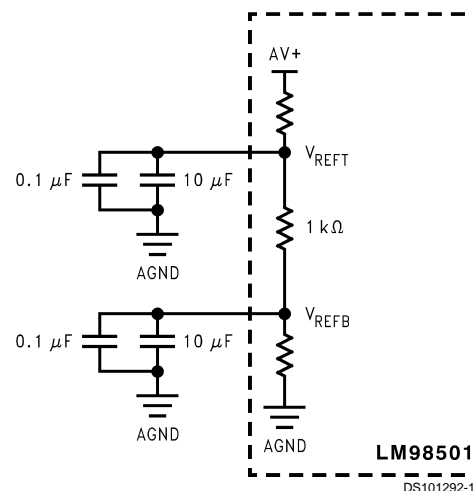


FIGURE 17. Reference Bypassing

ANALOG OFFSET DAC REFERENCE BYPASSING

The analog offset DAC reference pins, V_{REFP} and V_{REFN} , should be capacitively bypassed in the same fashion as the ADC reference pins V_{REFT} and V_{REFB} (see 'Analog-to-Digital Converter Reference Bypassing').

Applications Information (Continued)

ANALOG OFFSET DAC RANGE ADJUSTMENT

The analog offset DAC has an input range of ± 127 LSB (see *Register Data*). This analog offset corresponds to approximately 0.4 LSB at the ADC output per DAC input code LSB step. Therefore, the offset DAC is limited to providing offset values less than or equal to ± 54 LSB at the ADC output. In some applications, this range of output may not be sufficient. It is possible to increase the range of the DAC by adjusting the DAC reference range. The DAC reference range may be adjusted by lowering the voltage at the DAC lower reference pin, VREFN via use of a pull-down resistor from VREFN to AGND. A resistor value of $x.xx$ k Ω will increase the DAC range by a factor of $1.25x$, allowing offsets of ± 64 LSB to be applied at the ADC output rather than the default maximum and minimum offsets of ± 54 LSB, resulting in a 2 LSB DAC step to 1 LSB ADC output step relationship. Likewise, a resistor value of 750 Ω will increase the DAC range by a factor of $2.5x$, allowing offsets of ± 127 LSB to be applied at the ADC output, in this configuration, 1 LSB step of the DAC corresponds to 1 LSB step at the ADC output.

POWER SUPPLY CONSIDERATIONS

The LM98501 may draw a sufficient amount of current to corrupt improperly bypassed power supplies. A 10 μ F to 50 μ F capacitor should be placed within 1 cm of the analog power (AV+) pins of the device in parallel with a 0.1 μ F ceramic chip capacitor placed as close to the device as layout permits. Leadless chip capacitors are preferred because they have a low lead inductance. As is the case with virtually all high-speed semiconductors, the LM98501 should be assumed to have little power supply rejection; therefore, a noise-free analog power source is required.

The analog and digital power supplies of the LM98501 should be sourced from the same supply voltage, but the supply pins should be well isolated from one another. Isolating the supplies prevents digital noise from coupling back into the analog supply pins. A choke (ferrite bead) is recommended to be placed between the analog and digital power supply pins as well as a ceramic chip capacitor placed as close as possible to the analog supply pin(s) of the device. Additionally, it is not recommended that the LM98501's digital supply be used for any other digital circuitry on the circuit board. All other digital devices should be powered from a separate digital supply well isolated from both the analog and digital supplies of the LM98501.

THE LM98501 CLOCK

Although the LM98501 is tested and its performance guaranteed with a 27 MHz clock, it typically will function with clock frequencies ranging from 1 MHz to 30 MHz. Performance is best if the clock rise and fall times are less than 5 ns and the clock trace is terminated near the clock input pin with a series RC network consisting of a 100 Ω resistor and a 47 pF capacitor.

LAYOUT AND GROUNDING TECHNIQUES

The proper routing of all signals and pertinent grounding techniques are essential to insure the best signal-to-noise ratio and dynamic performance possible. Separate analog and digital ground planes ease meeting the datasheet limits.

The analog ground plane should be low impedance and free from noise of other components of the system. All bypass capacitors should be located as close to the pin as possible and connected to the appropriate ground plane with short traces (< 1 cm). The analog input should be isolated from noisy signal traces to avoid coupling of spurious signals into the input.

Figure 18 provides an example of a suitable layout, including power supply routing, ground plane separation, and bypass capacitor placement. All input amplifiers, filters, and reference components should be placed on or over the analog ground plane. All digital circuitry and I/O lines should be placed over and grounded via the digital ground plane. Digital and analog signal lines should never run parallel to each other in close proximity with each other. These signals should only cross when absolutely necessary and then only at 90° angles.

DYNAMIC PERFORMANCE

The LM98501 is AC tested and its dynamic performance is guaranteed. The clock source driving the CLK input must be free of jitter. For best AC performance, the clock source should be isolated from other system digital circuitry with a clock tree buffer(s). Meeting noise specifications depends largely upon keeping digital noise out of the analog input of the LM98501.

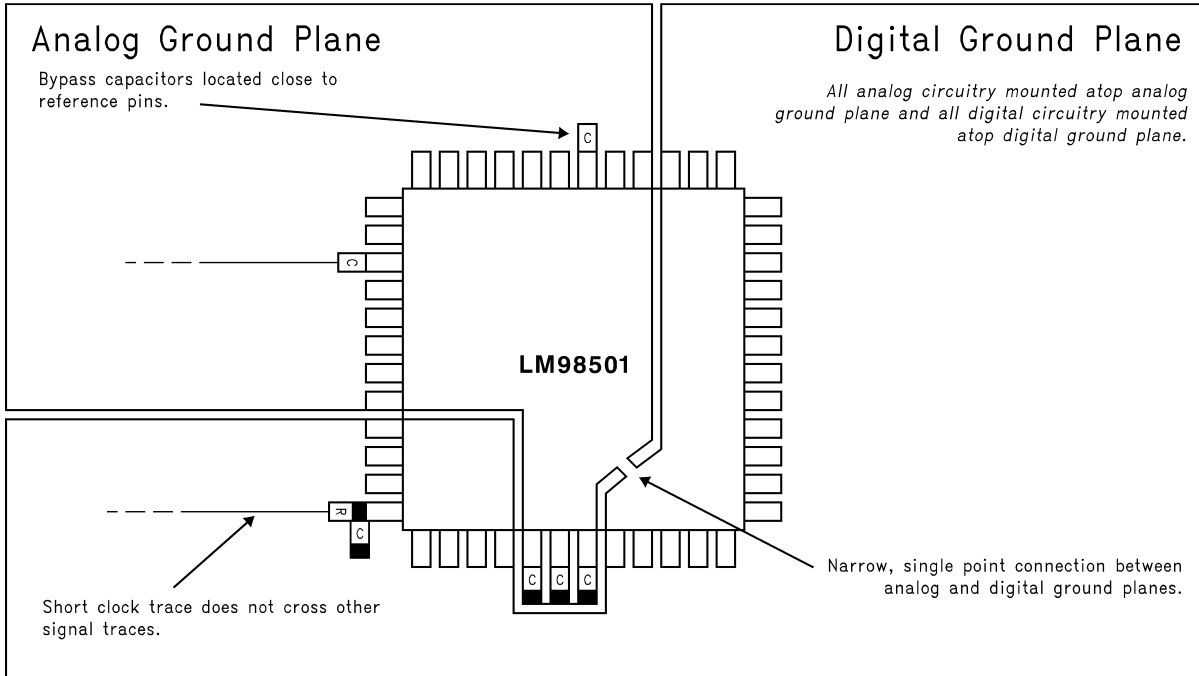
COMMON APPLICATION PITFALLS

Driving the inputs (analog or digital) beyond the power supply potential. For proper operation, all input potentials should not be greater than 300 mV above that of the power supply. It is not uncommon for high speed digital circuits (e.g. 74F and 74AC devices) to exhibit undershoot that falls to a potential greater than 1.0V below the ground potential and overshoot that rises to a potential greater than 1.0V above the power supply potential. A resistor of 50 Ω to 100 Ω in series with the offending digital input will, in most cases, eliminate this problem.

Attempting to drive a high capacitance digital data bus. The more capacitance the output drivers have to charge for each conversion output, the more instantaneous digital current is required from the DV+ I/O and DGND I/O supply pins. These large charging current spikes can couple into the analog section and subsequently may degrade dynamic performance of the system. Adequate bypassing and maintaining separate analog and digital ground planes will reduce this problem on the application system board. Buffering the digital data outputs may be necessary if the data bus being driven by the LM98501 is heavily loaded. Dynamic performance may also be improved by adding series resistors of 47 Ω at each digital output.

Driving the reference pins with devices that cannot source or sink the current required by the reference resistor ladder. As mentioned previously, any devices driving the reference resistor ladder must source sufficient current into the top of the ladder. Additionally, the device connected to the bottom of the ladder must be able to sink the necessary amount of current to keep the reference voltage(s) stable. If the reference resistor ladder voltages are not stable the converter output will not generate predictable output codes.

Applications Information (Continued)

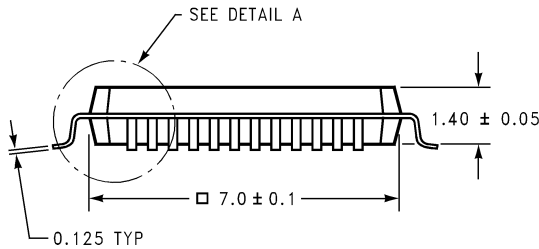
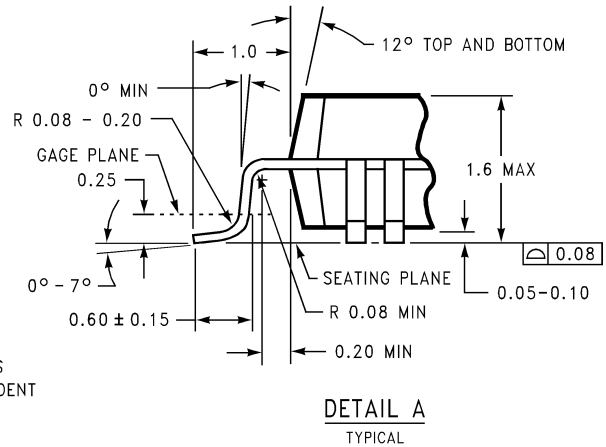
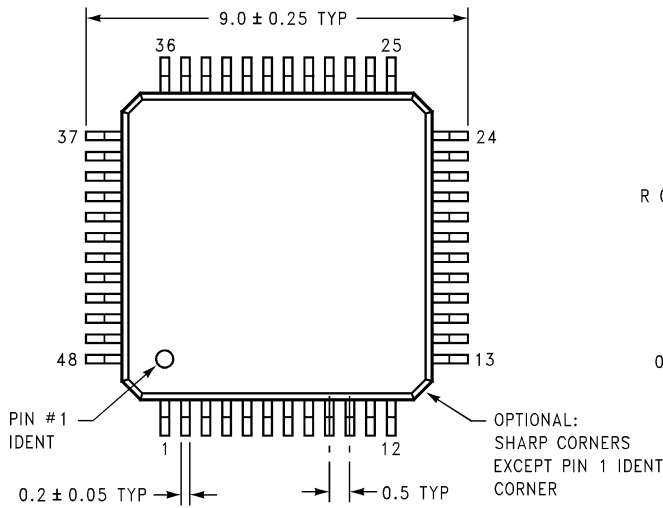


DS101292-17

FIGURE 18. Recommended Layout Pattern

Physical Dimensions inches (millimeters) unless otherwise noted

METRIC ONLY



VBH48A (REV C)

48-Lead LQFP Package
Order Number LM98501CCVBH
NS Package Number VBH48A

LIFE SUPPORT POLICY

NATIONAL'S PRODUCTS ARE NOT AUTHORIZED FOR USE AS CRITICAL COMPONENTS IN LIFE SUPPORT DEVICES OR SYSTEMS WITHOUT THE EXPRESS WRITTEN APPROVAL OF THE PRESIDENT AND GENERAL COUNSEL OF NATIONAL SEMICONDUCTOR CORPORATION. As used herein:

1. Life support devices or systems are devices or systems which, (a) are intended for surgical implant into the body, or (b) support or sustain life, and whose failure to perform when properly used in accordance with instructions for use provided in the labeling, can be reasonably expected to result in a significant injury to the user.
2. A critical component is any component of a life support device or system whose failure to perform can be reasonably expected to cause the failure of the life support device or system, or to affect its safety or effectiveness.



National Semiconductor Corporation
Americas
Tel: 1-800-272-9959
Fax: 1-800-737-7018
Email: support@nsc.com
www.national.com

National Semiconductor Europe
Fax: +49 (0) 180-530 85 86
Email: europe.support@nsc.com
Deutsch Tel: +49 (0) 69 9508 6208
English Tel: +44 (0) 870 24 0 2171
Français Tel: +33 (0) 1 41 91 8790

National Semiconductor Asia Pacific Customer Response Group
Tel: 65-2544466
Fax: 65-2504466
Email: ap.support@nsc.com

National Semiconductor Japan Ltd.
Tel: 81-3-5639-7560
Fax: 81-3-5639-7507