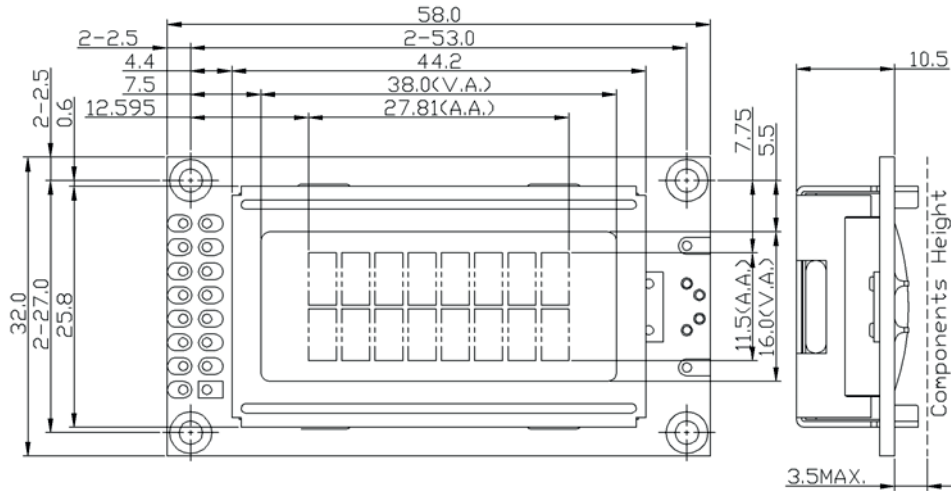


OUTLINE DRAWING



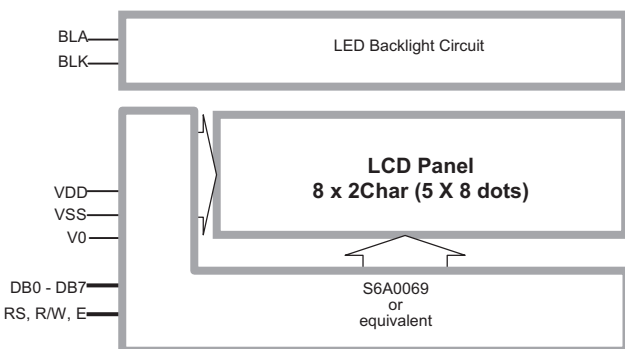
TERMINAL FUNCTIONS

Pin	Name	Descriptions
1	VSS	0V Power Supply, Ground
2	VDD	Positive Power Supply
3	V0	LCD Contrast Reference Supply
4	RS	Register Select RS=HIGH: Transferring Display Data RS=LOW: Transferring Instruction Data
5	R/W	Read/Write Control Bus R/W=HIGH: Read Mode Selected R/W=LOW: Write Mode Selected
6	E	Data Enable
7	DB0	Bi-directional Tri-state Data Bus
:	:	
14	DB7	
15	BLA	LED Backlight Positive Power Supply
16	BLK	LED Backlight Negative Power Supply

DISPLAY CHARACTERISTICS

Item	Value
LCD Display Mode*	STN-YG, Positive, Transflective
Viewing Angle	6:00
Driving Method	1/16 duty, 1/5 bias
Backlight#	YG LED Backlight

BLOCK DIAGRAM



MECHANICAL DATA

Item	Value
Outline (mm)	58.0 x 32.0 x 14.0MAX.
Viewing Area (mm)	38.0 x 16.0
Active Area (mm)	27.81 x 11.5
Character Pitch (mm)	0.6x 0.7
Character Size (mm)	0.56 x 0.66

ABSOLUTE MAXIMUM

Item	Symbol	Min	Max
Operating Voltage (V)	V <sub>DD</sub>	0	6.0
Operating Temperature (°C)	T <sub>OP</sub>	-20	+70
Storage Temperature (°C)	T <sub>ST</sub>	-30	+80

ELECTRICAL CHARACTERISTICS\*

Item	Symbol	Min	Typ	Max
Operating Voltage (V)	V <sub>DD</sub>	4.7	5.0	5.3
Input High Voltage (V)	V <sub>IH</sub>	0.8 V <sub>DD</sub>	-	V <sub>DD</sub>
Input Low Voltage (V)	V <sub>IL</sub>	V <sub>SS</sub>	-	0.5
Operating Current (mA)	I <sub>DD</sub>	-	1.3	3.0

BACKLIGHT CHARACTERISTICS

Item	Symbol	Min	Typ	Max
Forward Voltage (V)	V <sub>fBLA</sub>	-	5.0	-
Forward Current (mA)	I <sub>fBLA</sub>	-	60	90

LMB0820D series

	Highlight		
	* LCD Mode	# Backlight	** Voltage
LMB0820DBC*	STN-YG	YG LED	5.0V
LMB0820DFC	STN-Blue	White LED	5.0V
LMB0820DFC-1	STN-Blue	White LED	3.0V

For similar product or (semi) custom made LCD module, please visit our web site or contact us.

\* The above product information is based on this model.