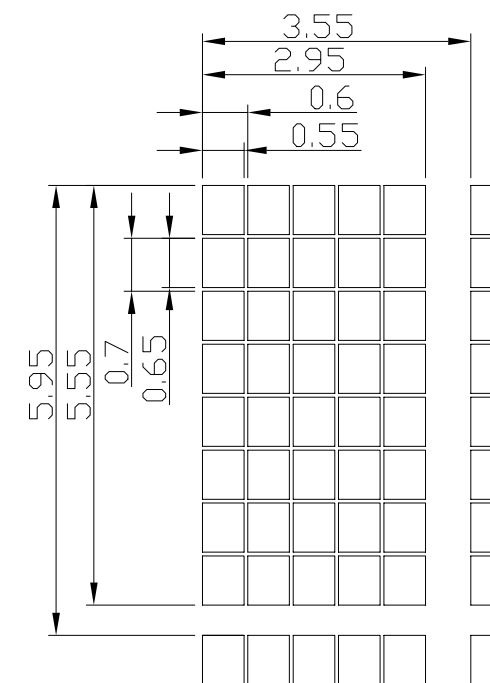
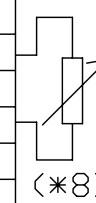
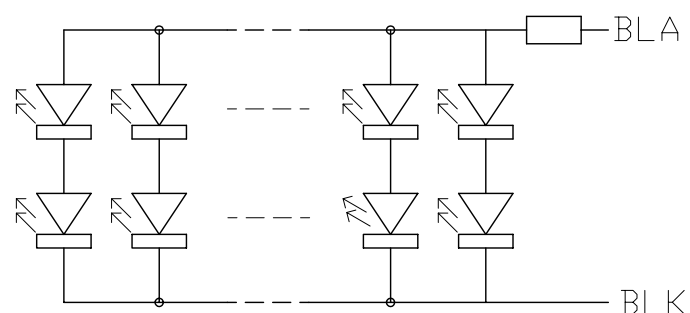


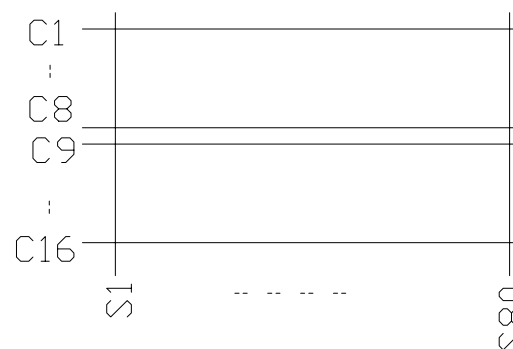
Terminal No.	Pin Name
1	VSS
2	VDD
3	V0
4	RS
5	R/W
6	E
7	DB0
8	DB1
9	DB2
10	DB3
11	DB4
12	DB5
13	DB6
14	DB7
15	BLA
16	BLK



Pixels Details
Scale=10/1



Backlight Circuit
(No. of LEDs = 10x2pcs)
Scale=free



Panel Wiring Details
Scale=free

Note:

- *1. LCD Display Type : STN-Gray, Positive, Transmissive
- *2. Viewing Direction : 6H
- *3. Duty : 1/16
- *4. Operating Voltage : 5.0V
- *5. Backlight Color : AMBER
- *6. Operating Temperature : -20°C~70°C
- *7. Storage Temperature : -30°C~80°C
- *8. An external VR(5k) must be connected for Contrast Control.

C		
B		
A		
Rev	Note	Date
Dwg Title LMB162ADC-3 Outline Dwg		
Dwg No. MK-001123-1-1		Date 2005-11-30
Scale 2/1	Tol. ±0.5	Unit mm Paper Size A3
Approved	Checked	Drawn Li Shuai

TOPWAY