

LMC7532 Low EMI, Low Power XGA/SVGA TFT-LCD Column Driver

General description

The LMC7532 is a Column Driver suitable for National's Reduced Swing Differential Signalling (RSDS) digital interface. It converts this 18-bit digital data into analog voltage for 300 or 309 columns, charging each sub-pixel to the correct gray level corresponding to the digital value.

The RSDS path to the panel timing controller contributes toward lowering radiated EMI, reducing system power consumption and eliminates one of the two pixel busses used in typical XGA TFT-LCD panels today. This single 9-bit differential bus conveys the 18-bit color data for XGA panels at 130Mb/s when using VESA 60 Hz standard timing.

With the addition of a single National DS90CF364 or '564 FPD-Link™ chip, and the FPD63310 Universal Interface XGA/SVGA Timing controller, the entire data path is optimized for reduced EMI, power consumption and width.

Feature

- Reduced Swing Differential Signalling (RSDS)™ digital bus reduces power, EMI and width from timing controller.
- Selectable 300/309 outputs provides ability to drive SVGA and XGA TFT-LCD systems.
- Switched reference type DAC gives high accuracy with low reference current requirements.
- Clock Frequency up to: 65MHZ
- Typical Accuracy: +/-5 mV
- Narrow bus.
- 64 gray scales.
- Receive RSDS @ 130Mb/s width @ 65MHz clock from FPD 63310.

System Diagram

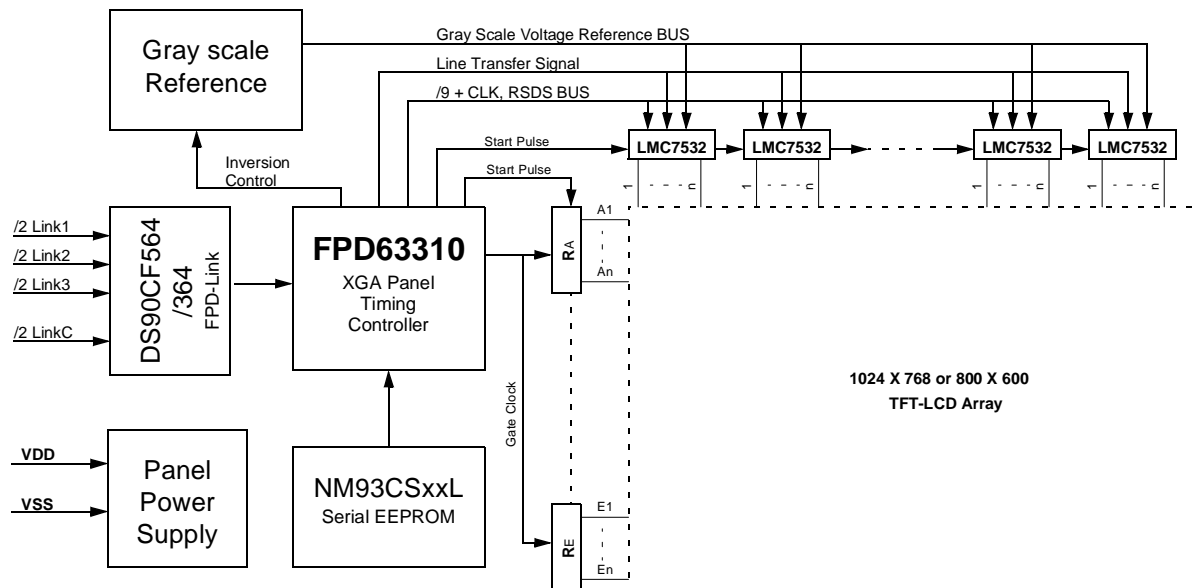
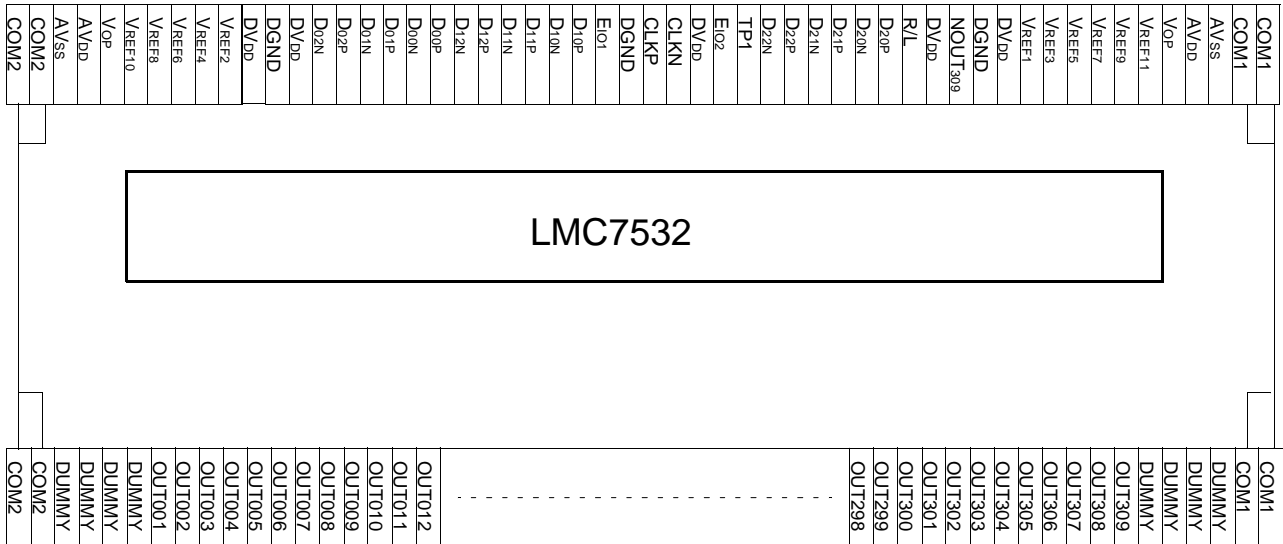


FIGURE 1. Block diagram of the LCD module

FPD-Link™ is a trademark of National Semiconductor

Package Information



LMC7532

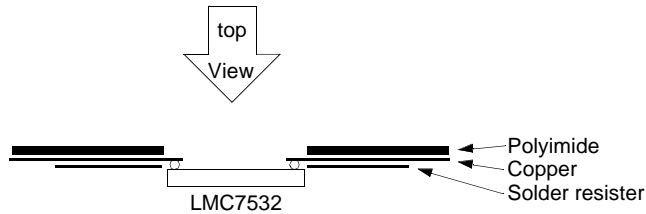


FIGURE 10. TCP pin assignment
Order number LMC7532CTxx
xx = customer package designator.

LIFE SUPPORT POLICY

NATIONAL'S PRODUCTS ARE NOT AUTHORIZED FOR USE AS CRITICAL COMPONENTS IN LIFE SUPPORT DEVICES OR SYSTEMS WITHOUT THE EXPRESS WRITTEN APPROVAL OF THE PRESIDENT OF NATIONAL SEMICONDUCTOR CORPORATION. As used herein:

1. Life support devices or systems are devices or systems which, (a) are intended for surgical implant into the body, or (b) support or sustain life, and whose failure to perform, when properly used in accordance with instructions for use provided in the labeling, can be reasonably expected to result in a significant injury to the user.
2. A critical component is any component of a life support device or system whose failure to perform can be reasonably expected to cause the failure of the life support device or system, or to affect its safety or effectiveness.



National Semiconductor Corporation
Tel: 1-800-272-9959
Fax: 1-800-737-7018
Email: support@nsc.com

National Semiconductor Europe
Fax: (+49) 0-180-530 85 86
Email: europe.support@nsc.com
Deutsch Tel: (+49) 0-180-530 85 85
English Tel: (+49) 0-180-532 78 32

National Semiconductor Asia Pacific Customer Response Group
Tel: 65-254-4466
Fax: 65-250-4466
Email: sea.support@nsc.com

National Semiconductor Japan Ltd.
Tel: 81-3-5620-6175
Fax: 81-3-5620-6179

www.national.com