

LMD18201 3A, 55V H-Bridge

General Description

The LMD18201 is a 3A H-Bridge designed for motion control applications. The device is built using a multi-technology process which combines bipolar and CMOS control circuitry with DMOS power devices on the same monolithic structure. The H-Bridge configuration is ideal for driving DC and stepper motors. The LMD18201 accommodates peak output currents up to 6A. Current sensing can be achieved via a small sense resistor connected in series with the power ground lead. For current sensing without disturbing the path of current to the load, the LMD18200 is recommended.

Features

- Delivers up to 3A continuous output
- Operates at supply voltages up to 55V
- Low $R_{DS(ON)}$ typically 0.33 Ω per switch

- TTL and CMOS compatible inputs
- No "shoot-through" current
- Thermal warning flag output at 145°C
- Thermal shutdown (outputs off) at 170°C
- Internal clamp diodes
- Shorted load protection
- Internal charge pump with external bootstrap capability

Applications

- DC and stepper motor drives
- Position and velocity servomechanisms
- Factory automation robots
- Numerically controlled machinery
- Computer printers and plotters

Functional Diagram

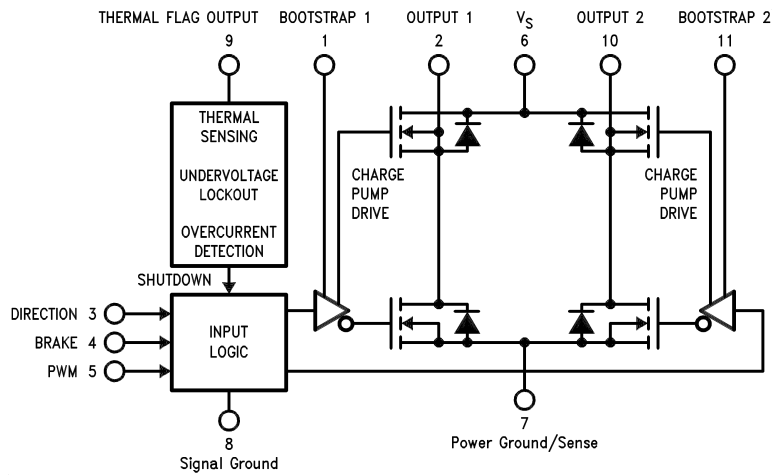
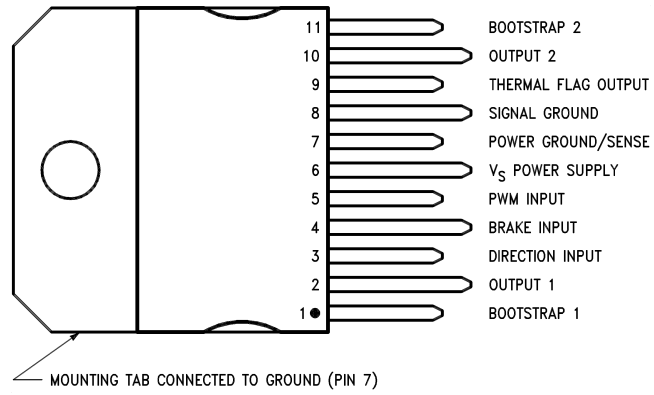


FIGURE 1. Functional Block Diagram of LMD18201

DS010793-1

Connection Diagram and Ordering Information



DS010793-2

Top View
Order Number LMD18201T
See NS Package Number TA11B

Absolute Maximum Ratings (Note 1)

If Military/Aerospace specified devices are required, please contact the National Semiconductor Sales Office/Distributors for availability and specifications.

Total Supply Voltage (V_S , Pin 6)	60V
Voltage at Pins 3, 4, 5 and 9	12V
Voltage at Bootstrap Pins (Pins 1 and 11)	$V_{OUT} + 16V$
Peak Output Current (200 ms)	6A
Continuous Output Current (Note 2)	3A
Power Dissipation (Note 3)	25W
Sense Voltage (Pin 7 to Pin 8)	+0.5V to -1.0V

Power Dissipation ($T_A = 25^\circ\text{C}$, Free Air)	3W
Junction Temperature, $T_{J(\text{max})}$	150°C
ESD Susceptibility (Note 4)	1500V
Storage Temperature, T_{STG}	-40°C to +150°C
Lead Temperature (Soldering, 10 sec.)	300°C

Operating Ratings (Note 1)

Junction Temperature, T_J	-40°C to +125°C
V_S Supply Voltage	+12V to +55V

Electrical Characteristics (Note 5)

The following specifications apply for $V_S = 42V$, unless otherwise specified. **Boldface** limits apply over the entire operating temperature range, $-40^\circ\text{C} \leq T_J \leq +125^\circ\text{C}$, all other limits are for $T_A = T_J = 25^\circ\text{C}$.

Symbol	Parameter	Conditions	Typ	Limit	Units
$R_{DS(\text{ON})}$	Switch ON Resistance	Output Current = 3A (Note 6)	0.33	0.4/ 0.6	Ω (max)
$R_{DS(\text{ON})}$	Switch ON Resistance	Output Current = 6A (Note 6)	0.33	0.4/ 0.6	Ω (max)
V_{CLAMP}	Clamp Diode Forward Drop	Clamp Current = 3A (Note 6)	1.2	1.5	V (max)
V_{IL}	Logic Low Input Voltage	Pins 3, 4, 5		-0.1	V (min)
				0.8	V (max)
I_{IL}	Logic Low Input Current	$V_{\text{IN}} = -0.1V$, Pins = 3, 4, 5		-10	μA (max)
V_{IH}	Logic High Input Voltage	Pins 3, 4, 5		2	V (min)
				12	V (max)
I_{IL}	Logic High Input Current	$V_{\text{IN}} = 12V$, Pins = 3, 4, 5		10	μA (max)
	Undervoltage Lockout	Outputs Turn OFF		9	V (min)
				11	V (max)
T_{JW}	Warning Flag Temperature	Pin 9 $\leq 0.8V$, $I_L = 2\text{ mA}$	145		$^\circ\text{C}$
$V_{\text{F(ON)}}$	Flag Output Saturation Voltage	$T_J = T_{\text{JW}}$, $I_L = 2\text{ mA}$	0.15		V
$I_{\text{F(OFF)}}$	Flag Output Leakage	$V_F = 12V$	0.2	10	μA (max)
T_{JSD}	Shutdown Temperature	Outputs Turn OFF	170		$^\circ\text{C}$
I_S	Quiescent Supply Current	All Logic Inputs Low	13	25	mA (max)
$t_{\text{D(ON)}}$	Output Turn-On Delay Time	Sourcing Outputs, $I_{\text{OUT}} = 3A$	300		ns
		Sinking Outputs, $I_{\text{OUT}} = 3A$	300		ns
t_{ON}	Output Turn-On Switching Time	Bootstrap Capacitor = 10 nF			
		Sourcing Outputs, $I_{\text{OUT}} = 3A$	100		ns
		Sinking Outputs, $I_{\text{OUT}} = 3A$	80		ns
$t_{\text{D(OFF)}}$	Output Turn-Off Delay Times	Sourcing Outputs, $I_{\text{OUT}} = 3A$	200		ns
		Sinking Outputs, $I_{\text{OUT}} = 3A$	200		ns
t_{OFF}	Output Turn-Off Switching Times	Bootstrap Capacitor = 10 nF			
		Sourcing Outputs, $I_{\text{OUT}} = 3A$	75		ns
		Sinking Outputs, $I_{\text{OUT}} = 3A$	70		ns
t_{PW}	Minimum Input Pulse Width	Pins 3, 4 and 5	1		μs
t_{CPR}	Charge Pump Rise Time	No Bootstrap Capacitor	20		μs

Note 1: Absolute Maximum Ratings indicate limits beyond which damage to the device may occur. DC and AC electrical specifications do not apply when operating the device beyond its rated operating conditions.

Note 2: See Application Information for details regarding current limiting.

Note 3: The maximum power dissipation must be derated at elevated temperatures and is a function of $T_{\text{J(max)}}$, θ_{JA} , and T_A . The maximum allowable power dissipation at any temperature is $P_{\text{D(max)}} = (T_{\text{J(max)}} - T_A)/\theta_{\text{JA}}$, or the number given in the Absolute Ratings, whichever is lower. The typical thermal resistance from junction to case (θ_{JC}) is 1.0°C/W and from junction to ambient (θ_{JA}) is 30°C/W . For guaranteed operation $T_{\text{J(max)}} = 125^\circ\text{C}$.

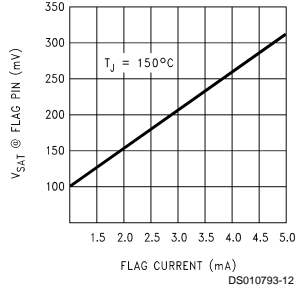
Note 4: Human-body model, 100 pF discharged through a 1.5 k Ω resistor. Except Bootstrap pins (pins 1 and 11) which are protected to 1000V of ESD.

Note 5: All limits are 100% production tested at 25°C. Temperature extreme limits are guaranteed via correlation using accepted SQC (Statistical Quality Control) methods. All limits are used to calculate AOQL, (Average Outgoing Quality Level).

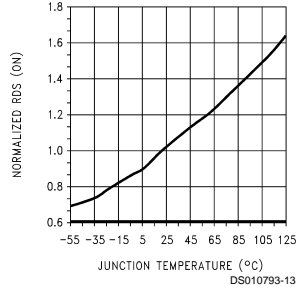
Note 6: Output currents are pulsed ($t_{\text{W}} < 2\text{ ms}$, Duty Cycle $< 5\%$).

Typical Performance Characteristics

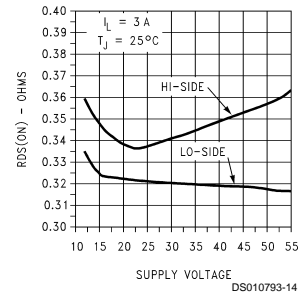
V_{SAT} vs Flag Current



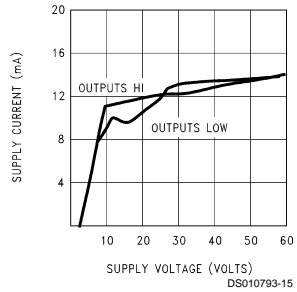
R_{DS(ON)} vs Temperature



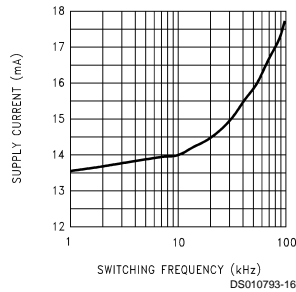
R_{DS(ON)} vs Supply Voltage



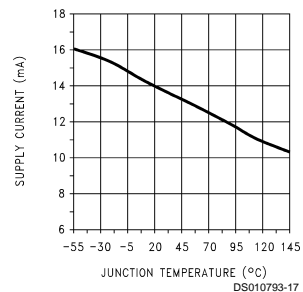
Supply Current vs Supply Voltage



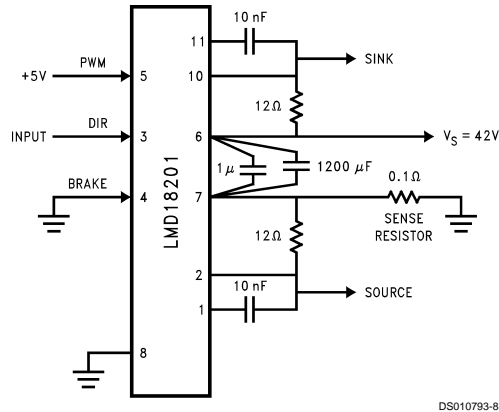
Supply Current vs Frequency (V_S = 42V)



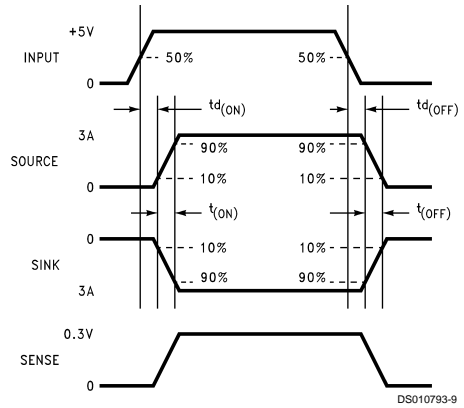
Supply Current vs Temperature (V_S = 42V)



Test Circuit



Switching Time Definitions



Pinout Description

(See Connection Diagram)

Pin 1, BOOTSTRAP 1 Input: Bootstrap capacitor pin for half H-Bridge number 1. The recommended capacitor (10 nF) is connected between pins 1 and 2.

Pin 2, OUTPUT 1: Half H-Bridge number 1 output.

Pin 3, DIRECTION Input: See *Table 1*. This input controls the direction of current flow between OUTPUT 1 and OUTPUT 2 (pins 2 and 10) and, therefore, the direction of rotation of a motor load.

Pin 4, BRAKE Input: See *Table 1*. This input is used to brake a motor by effectively shorting its terminals. When braking is desired, this input is taken to a logic high level and it is also necessary to apply logic high to PWM input, pin 5. The drivers that short the motor are determined by the logic level at the DIRECTION input (Pin 3): with Pin 3 logic high, both current sourcing output transistors are ON; with Pin 3 logic low, both current sinking output transistors are ON. All output transistors can be turned OFF by applying a logic high to Pin 4 and a logic low to PWM input Pin 5; in this case only a small bias current (approximately -1.5 mA) exists at each output pin.

Pin 5, PWM Input: See *Table 1*. How this input (and DIRECTION input, Pin 3) is used is determined by the format of the PWM Signal.

Pin 6, V_S Power Supply

Pin 7, POWER GROUND/SENSE Connection: This pin is the ground return for the power DMOS transistors of the H-Bridge. The current through the H-Bridge can be sensed by adding a small, 0.1Ω , sense resistor from this pin to the power supply ground.

Pin 8, SIGNAL GROUND: This is the ground return for the internal logic circuitry used to control the PWM switching of the H-Bridge.

Pin 9, THERMAL FLAG Output: This pin provides the thermal warning flag output signal. Pin 9 becomes active-low at 145°C (junction temperature). However the chip will not shut itself down until 170°C is reached at the junction.

Pin 10, OUTPUT 2: Half H-Bridge number 2 output.

Pin 11, BOOTSTRAP 2 Input: Bootstrap capacitor pin for half H-Bridge number 2. The recommended capacitor (10 nF) is connected between pins 10 and 11.

TABLE 1. Logic Truth Table

PWM	Dir	Brake	Active Output Drivers
H	H	L	Source 1, Sink 2
H	L	L	Sink 1, Source 2
L	X	L	Source 1, Source 2
H	H	H	Source 1, Source 2
H	L	H	Sink 1, Sink 2
L	X	H	NONE

Application Information

TYPES OF PWM SIGNALS

The LMD18201 readily interfaces with different forms of PWM signals. Use of the part with two of the more popular forms of PWM is described in the following paragraphs.

Simple, locked anti-phase PWM consists of a single, variable duty-cycle signal in which is encoded both direction and

amplitude information (see *Figure 2*). A 50% duty-cycle PWM signal represents zero drive, since the net value of voltage (integrated over one period) delivered to the load is zero. For the LMD18201, the PWM signal drives the direction input (pin 3) and the PWM input (pin 5) is tied to logic high.

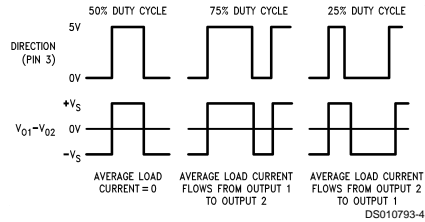


FIGURE 2. Locked Anti-Phase PWM Control

Sign/magnitude PWM consists of separate direction (sign) and amplitude (magnitude) signals (see *Figure 3*). The (absolute) magnitude signal is duty-cycle modulated, and the absence of a pulse signal (a continuous logic low level) represents zero drive. Current delivered to the load is proportional to pulse width. For the LMD18201, the DIRECTION input (pin 3) is driven by the sign signal and the PWM input (pin 5) is driven by the magnitude signal.

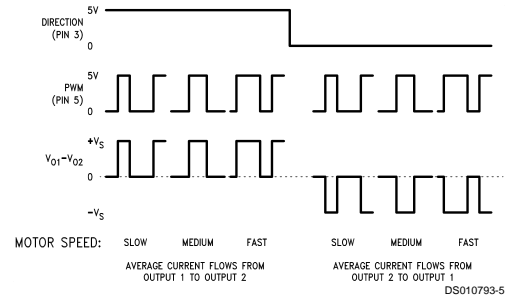


FIGURE 3. Sign/Magnitude PWM Control

USING THE THERMAL WARNING FLAG

The THERMAL FLAG output (pin 9) is an open collector transistor. This permits a wired OR connection of thermal warning flag outputs from multiple LMD18201's, and allows the user to set the logic high level of the output signal swing to match system requirements. This output typically drives the interrupt input of a system controller. The interrupt service routine would then be designed to take appropriate steps, such as reducing load currents or initiating an orderly system shutdown. The maximum voltage compliance on the flag pin is 12V.

SUPPLY BYPASSING

During switching transitions the levels of fast current changes experienced may cause troublesome voltage transients across system stray inductances.

It is normally necessary to bypass the supply rail with a high quality capacitor(s) connected as close as possible to the V_S Power Supply (Pin 6) and POWER GROUND (Pin 7). A $1\mu\text{F}$ high-frequency ceramic capacitor is recommended. Care should be taken to limit the transients on the supply pin below the Absolute Maximum Rating of the device. When operating the chip at supply voltages above 40V a voltage suppressor (transorb) such as P6KE62A is recommended from

Application Information (Continued)

supply to ground. Typically the ceramic capacitor can be eliminated in the presence of the voltage suppressor. Note that when driving high load currents a greater amount of supply bypass capacitance (in general at least 100 μF per Amp of load current) is required to absorb the recirculating currents of the inductive loads.

CURRENT LIMITING

Current limiting protection circuitry has been incorporated into the design of the LMD18201. With any power device it is important to consider the effects of the substantial surge currents through the device that may occur as a result of shorted loads. The protection circuitry monitors the current through the upper transistors and shuts off the power device as quickly as possible in the event of an overload condition (the threshold is set to approximately 10A). In a typical motor driving application the most common overload faults are caused by shorted motor windings and locked rotors. Under these conditions the inductance of the motor (as well as any series inductance in the V_{CC} supply line) serves to reduce the magnitude of a current surge to a safe level for the LMD18201. Once the device is shut down, the control circuitry will periodically try to turn the power device back on. This feature allows the immediate return to normal operation once the fault condition has been removed. While the fault remains however, the device will cycle in and out of thermal shutdown. This can create voltage transients on the V_{CC} supply line and therefore proper supply bypassing techniques are required.

The most severe condition for any power device is a direct, hard-wired ("screwdriver") long term short from an output to ground. This condition can generate a surge of current through the power device on the order of 15 Amps and require the die and package to dissipate up to 500W of power for the short time required for the protection circuitry to shut off the power device. This energy can be destructive, particularly at higher operating voltages ($>30\text{V}$) so some precautions are in order. Proper heat sink design is essential and it is normally necessary to heat sink the V_{CC} supply pin (pin 6) with 1 square inch of copper on the PC board.

INTERNAL CHARGE PUMP AND USE OF BOOTSTRAP CAPACITORS

To turn on the high-side (sourcing) DMOS power devices, the gate of each device must be driven approximately 8V more positive than the supply voltage. To achieve this an internal charge pump is used to provide the gate drive voltage. As shown in (Figure 4), an internal capacitor is alternately switched to ground and charged to about 14V, then switched to V_S thereby providing a gate drive voltage greater than V_S . This switching action is controlled by a continuously running internal 300 kHz oscillator. The rise time of this drive voltage is typically 20 μs which is suitable for operating frequencies up to 1 kHz.

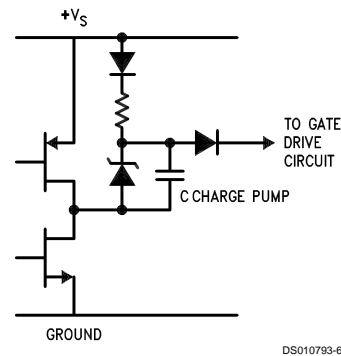


FIGURE 4. Internal Charge Pump Circuitry

For higher switching frequencies, the LMD18201 provides for the use of external bootstrap capacitors. The bootstrap principle is in essence a second charge pump whereby a large value capacitor is used which has enough energy to quickly charge the parasitic gate input capacitance of the power device resulting in much faster rise times. The switching action is accomplished by the power switches themselves (Figure 5). External 10 nF capacitors, connected from the outputs to the bootstrap pins of each high-side switch provide typically less than 100 ns rise times allowing switching frequencies up to 500 kHz.

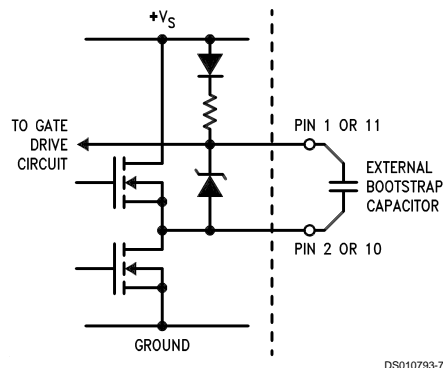


FIGURE 5. Bootstrap Circuitry

INTERNAL PROTECTION DIODES

A major consideration when switching current through inductive loads is protection of the switching power devices from the large voltage transients that occur. Each of the four switches in the LMD18201 have a built-in protection diode to clamp transient voltages exceeding the positive supply or ground to a safe diode voltage drop across the switch.

The reverse recovery characteristics of these diodes, once the transient has subsided, is important. These diodes must come out of conduction quickly and the power switches must be able to conduct the additional reverse recovery current of the diodes. The reverse recovery time of the diodes protecting the sourcing power devices is typically only 70 ns with a reverse recovery current of 1A when tested with a full 3A of forward current through the diode. For the sinking devices the recovery time is typically 100 ns with 4A of reverse current under the same conditions.

Typical Applications

ther positional or velocity control of DC motors. The LMD18201 provides fully protected motor driver stage.

BASIC MOTOR DRIVER

The LMD18201 can directly interface to any Sign/Magnitude PWM controller. The LM629 is a motion control processor that outputs a Sign/Magnitude PWM signal to coordinate ei-

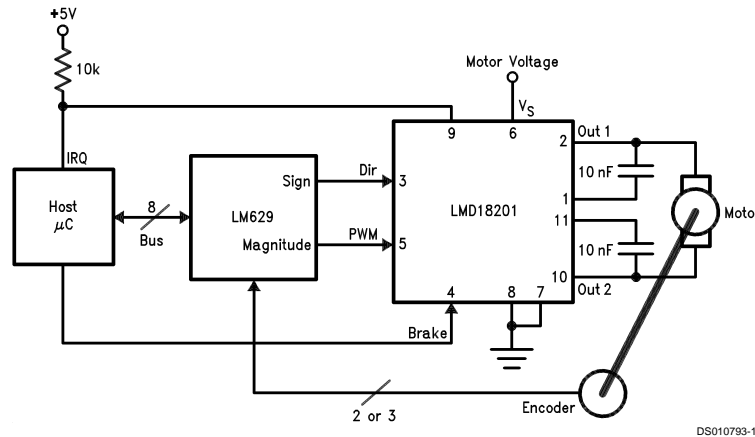


FIGURE 6. Basic Motor Driver

DS010793-10

CURRENT SENSING

In many motor control applications it is desirable to sense and control the current through the motor. For these types of applications a companion product, the LMD18200, is also available. The LMD18200 is identical to the LMD18201 but has current sensing transistors that output a current directly proportional to the current conducted by the two upper DMOS power devices to a separate current sense pin. This technique does not require a low valued, power sense resistor and does not subtract from the available voltage drive to the motor.

To sense the bridge current through the LMD18201 requires the addition of a small sense resistor between the power ground/sense pin (Pin 7) and the actual circuit ground (see Figure 7). This resistor should have a value of 0.1Ω or less to

stay within the allowable voltage compliance of the sense pin, particularly at higher operating current levels. The voltage between power ground/sense (Pin 7) and the signal ground (Pin 8) must stay within the range of -1V to +0.5V. Internally there is approximately 25Ω between pins 7 and 8 and this resistance will slightly reduce the value of the external sense resistor. Approximately 70% of the quiescent supply current (10 mA) flows out of pin 7. This will cause a slight offset to the voltage across the sense resistor when the bridge is not conducting. During reverse recovery of the internal protection diodes the voltage compliance between pins 7 and 8 may be exceeded. The duration of these spikes however are only approximately 100 ns and do not have enough time or energy to disrupt the operation of the LMD18201.

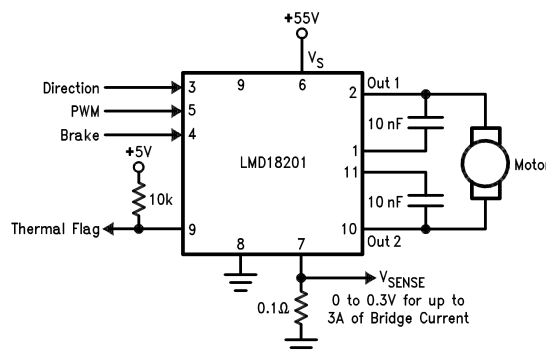
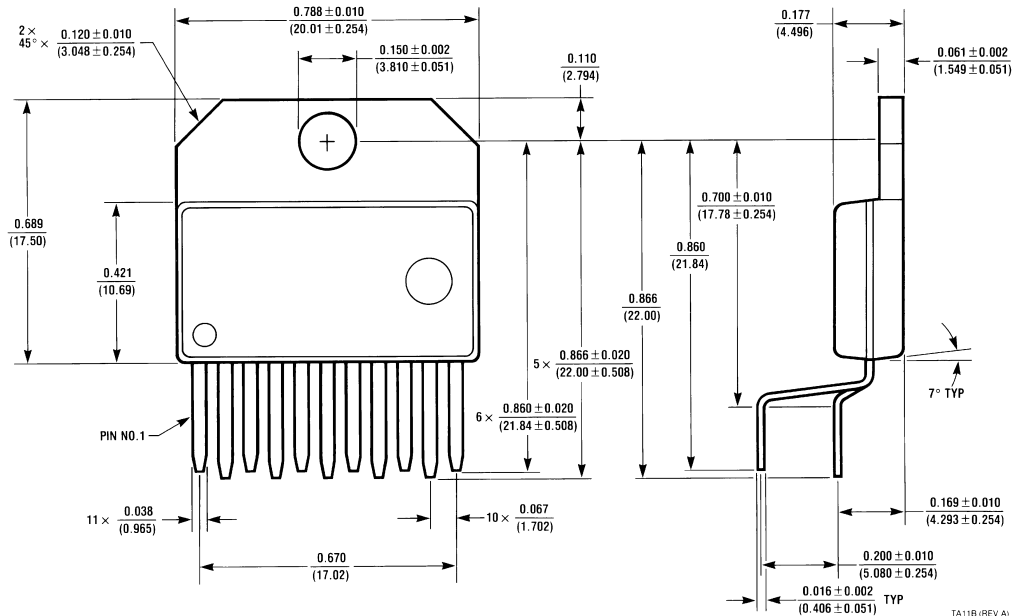


FIGURE 7. Current Sensing

DS010793-11

LMD18201 3A, 55V H-Bridge

Physical Dimensions inches (millimeters) unless otherwise noted



11-Lead TO-220 Power Package (T)
Order Number LMD18201T
NS Package Number TA11B

LIFE SUPPORT POLICY

NATIONAL'S PRODUCTS ARE NOT AUTHORIZED FOR USE AS CRITICAL COMPONENTS IN LIFE SUPPORT DEVICES OR SYSTEMS WITHOUT THE EXPRESS WRITTEN APPROVAL OF THE PRESIDENT AND GENERAL COUNSEL OF NATIONAL SEMICONDUCTOR CORPORATION. As used herein:

1. Life support devices or systems are devices or systems which, (a) are intended for surgical implant into the body, or (b) support or sustain life, and whose failure to perform when properly used in accordance with instructions for use provided in the labeling, can be reasonably expected to result in a significant injury to the user.
2. A critical component is any component of a life support device or system whose failure to perform can be reasonably expected to cause the failure of the life support device or system, or to affect its safety or effectiveness.

National Semiconductor Corporation
 Americas
 Tel: 1-800-272-9959
 Fax: 1-800-737-7018
 Email: support@nsc.com

National Semiconductor Europe
 Fax: +49 (0) 1 80-530 85 86
 Email: europe.support@nsc.com
 Deutsch Tel: +49 (0) 1 80-530 85 85
 English Tel: +49 (0) 1 80-532 78 32
 Français Tel: +49 (0) 1 80-532 93 58
 Italiano Tel: +49 (0) 1 80-534 16 80

National Semiconductor Asia Pacific Customer Response Group
 Tel: 65-2544466
 Fax: 65-2504466
 Email: sea.support@nsc.com

National Semiconductor Japan Ltd.
 Tel: 81-3-5639-7560
 Fax: 81-3-5639-7507

www.national.com