

LMG - SS12A64	128 DOTS2/font-64 DOTS	1/64 DUTY	1/9 BIAS
---------------	------------------------	-----------	----------

液晶之友 电话: 020-33819057
Part Numbering System
Http://www.lcdfriends.com

1. FEATURE:

LCD TYPE	STN/FSTN
LCM BACKLIGHT TYPE	LED/EL BACKLIGHT
LCM CONTROLLER IC	BUILT IN KS0108 OR EQUIVALENT
POWER SUPPLY FOR LCM	DC +5.0V
LED BACKLIGHT INPUT	DC +5.0V
EL BACKLIGHT INPUT	AC90~100V(400~700HZ)
EL INVERTER	SDEC-I002A
FL BACKLIGHT INPUT	-
FL INVERTER	-
LCM DIMENSION	93.0x77.0x9.5(14.0) mm
LCM VIEWING AREA	72.0x39.0 mm
LCD DOT SIZE	0.48x0.48 mm
LCD DOT PITCH	0.52x0.52 mm

ITEM	SYM	CONDITION	MIN	TYP	MAX	UNIT
SUPPLY VOLTAGE FOR LOGIC	VDD-VSS	Ta=25 ° C	4.5	5.0	5.5	V
SUPPLY VOLTAGE FOR LCD DRIVER	VEE-VSS	Ta=25 ° C	-	-	-5.0	V
OPERATING VOL. FOR LCD MODULE	VDD-VO	Ta=25 ° C	-	8.0	-	V
INPUT HIGH VOL.	VIH	-	0.7VDD	-	VDD	V
INPUT LOW VOL.	VIL	-	0	-	0.3VDD	V
SUPPLY CURRENT FOR LOGIC	IDD	VDD=5.0V	-	-	7.0	V
SUPPLY CURRENT FOR LCD	ILCD	VO=-3.0V	-	-	12.0	mA
LED CURRENT	IF	Ta=25 ° C	-	300	-	mA
LED DISSIPATION	PD	Ta=25 ° C	-	1500	-	mW

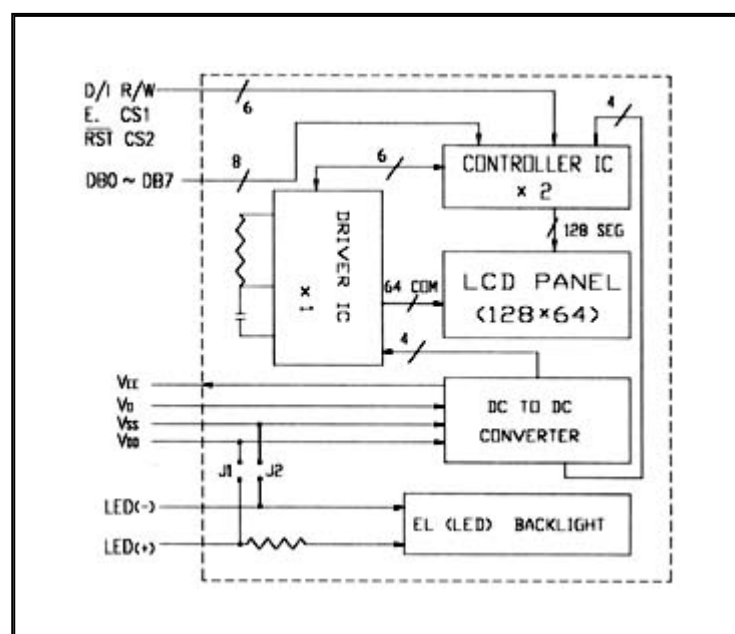
3. ABSOLUTE MAXIMUM RATINGS:

ITEM	SYMBOL	MIN	TYP	MAX	UNIT
OPERATING TEMP.	TOP	-0	-	+50	° C
STORAGE TEMP.	TST	-10	-	+60	° C
INPUT VOLTAGE	VI	VSS	-	VDD	V
SUPPLY VOL-LOGIC	VDD-VSS	-	-	7.0	V
SUPPLY VOL-LCD	VDD-VEE	-	-	10.0	V

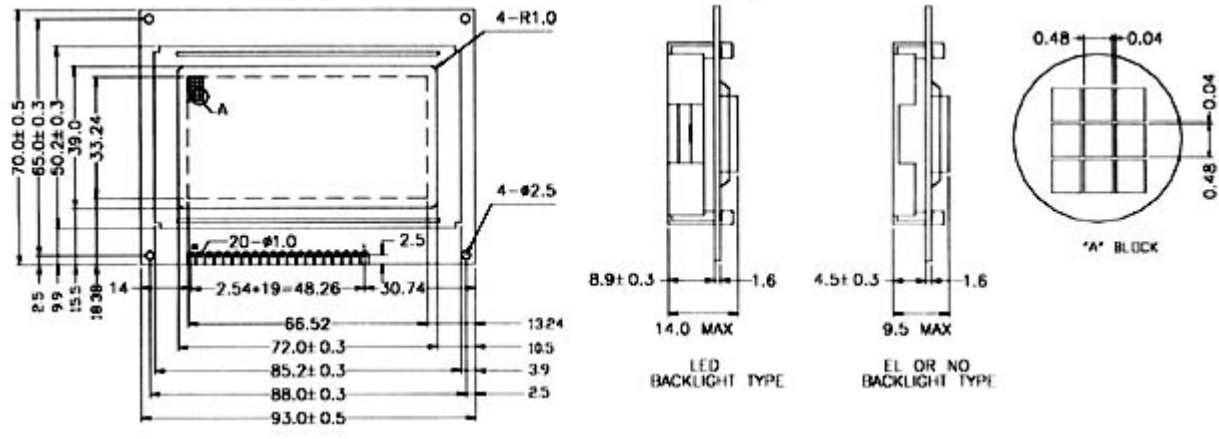
5. INTERFACE PIN CONNECTIONS:

NO	SYM	LEVEL	FUNCTION
1	VSS	-	0V
2	VDD	-	+5V
3	VO	-	CONTRAST ADJ.
4	D/I	H/L	H:DATA, L:INSTRUCTION CODE
5	R/W	H/L	H:READ(LCD -- MPU) L:WRITE(MPU -- LCD)
6	E	H.H. -- L	ENABLE SIGNAL
7	DB0	H/L	DATA BIT 0
8	DB1	H/L	DATA BIT 1
9	DB2	H/L	DATA BIT 2
10	DB3	H/L	DATA BIT 3
11	DB4	H/L	DATA BIT 4
12	DB5	H/L	DATA BIT 5
13	DB6	H/L	DATA BIT 6
14	DB7	H/L	DATA BIT 7
15	CS1	H	CHIP SELECT SIGNAL FOR IC1
16	CS2	H	CHIP SELECT SIGNAL FOR IC2
17	RST	L	RESET SIGNAL
18	VEE	-	NEGATIVE VOLTAGE OUTPUT (-5.0V)
19	A(+)	+5.0V	BACKLIGHT (+)
20	K(-)	0V	BACKLIGHT (-)

4. BLOCK DIAGRAM:



7. DIMENSIONAL DRAWING:



www.DataSheet4U.com