

LMH0346

3Gbps HD/SD SDI Reclocker with Dual Differential Outputs

General Description

The LMH0346 3Gbps HD/SD SDI Reclocker retimes serial digital video data conforming to the SMPTE 424M, SMPTE 292M, and SMPTE 259M (C) standards. The LMH0346 operates at serial data rates of 270 Mbps, 1.483 Gbps, 1.485 Gbps, 2.967 Gbps, and 2.97 Gbps. The LMH0346 supports DVB-ASI operation at 270 Mbps.

The LMH0346 automatically detects the incoming data rate and adjusts itself to retime the incoming data to suppress accumulated jitter. The LMH0346 recovers the serial data-rate clock and optionally provides it as an output. The LMH0346 has two differential serial data outputs; the second output may be selected as a low-jitter, data-rate clock output (DDR clock at 3Gbps). Controls and indicators are: serial clock or second serial data output select, manual rate select input, SD/HD rate indicator output, lock detect output, auto/manual data bypass and output mute. The serial data inputs, outputs, and serial clock outputs are differential LVPECL compatible. The CML serial data and serial clock outputs are suitable for driving 100Ω differentially terminated networks. The control logic inputs and outputs are LVCMOS compatible.

The LMH0346 is powered from a single 3.3V supply. Power dissipation is typically 370 mW. The device is housed in a 20-pin e-TSSOP package.

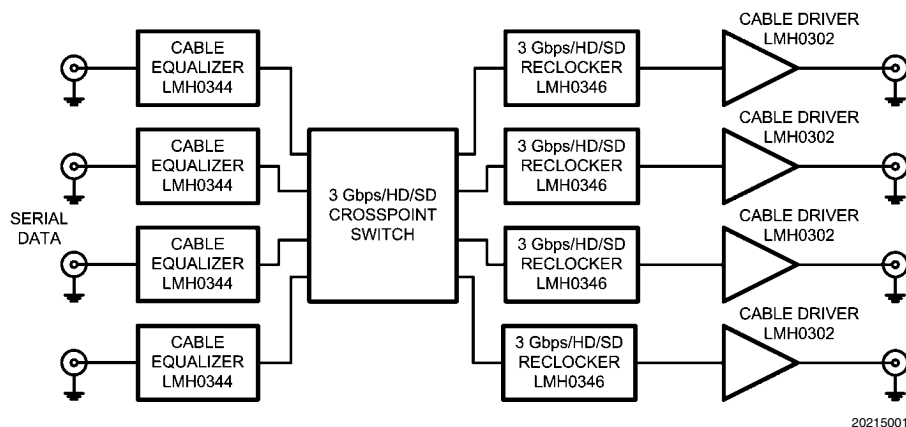
Features

- Supports SMPTE 424M, SMPTE 292M, and SMPTE 259M (C) serial digital video standards
- Supports 270 Mbps, 1.483 Gbps, 1.485 Gbps, 2.967 Gbps, and 2.97 Gbps serial data rate operation
- Supports DVB-ASI at 270 Mbps
- Single 3.3V supply operation
- 370 mW typical power consumption
- Two differential, reclocked outputs
- Choice of second reclocked output or low-jitter, differential, data-rate clock output (DDR clock at 3Gbps)
- Single 27 MHz external crystal or reference clock input
- Manual rate select input
- SD/HD operating rate indicator output
- Lock Detect indicator output
- Output mute function for data and clock
- Auto/Manual reclocker bypass
- Differential LVPECL compatible serial data inputs and outputs
- LVCMOS control inputs and indicator outputs
- 20-Pin e-TSSOP package
- Industrial temperature range: -40°C to +85°C
- Footprint compatible with the LMH0046

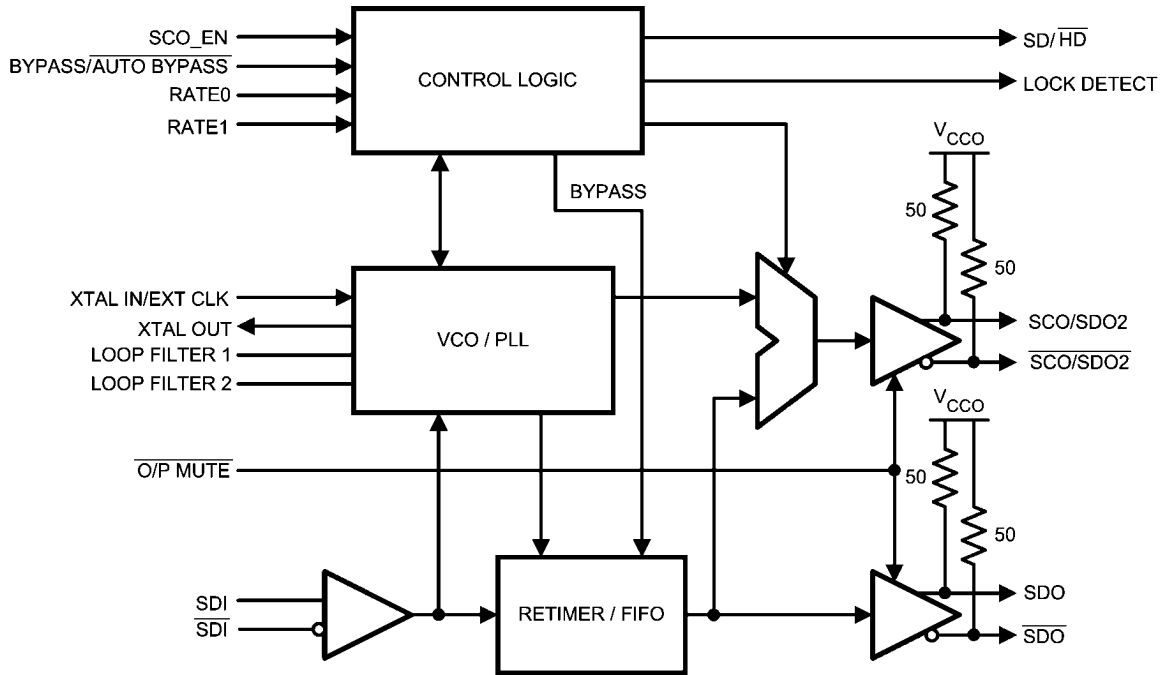
Applications

- SDTV/HDTV and 3Gbps serial digital video interfaces for:
 - Digital video routers and switchers
 - Digital video processing and editing equipment
 - DVB-ASI equipment
 - Video standards and format converters

Typical Application

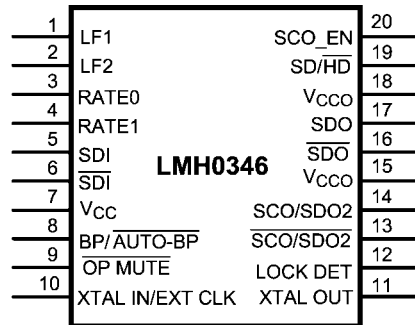


Block Diagram



20215003

Connection Diagram



20215002

The exposed die attach pad is the negative electrical terminal for this device. It must be connected to the negative power supply voltage.

20-Pin e-TSSOP
Order Number LMH0346MH
See NS Package Number MXA20A

Pin Descriptions

Pin	Name	Description
1	LF1	Loop Filter
2	LF2	Loop Filter
3	RATE 0	Data Rate Select Input
4	RATE 1	Data Rate Select Input
5	SDI	Data Input True
6	$\overline{\text{SDI}}$	Data Input Complement
7	V_{CC}	Positive power supply input
8	BYPASS/AUTO BYPASS	Bypass/Auto Bypass mode select
9	$\overline{\text{OUTPUT MUTE}}$	Data and Clock Output Mute Input (active low)
10	XTAL IN/EXT CLK	Crystal or External Oscillator Input
11	XTAL OUT	Crystal Oscillator Output
12	LOCK DETECT	PLL Lock Detect Output (active high)
13	$\overline{\text{SCO/SDO2}}$	Serial Clock or Serial Data Output 2 Complement
14	SCO/SDO2	Serial Clock or Serial Data Output 2 True
15	V_{CCO}	Positive power supply input (Output Driver)
16	$\overline{\text{SDO}}$	Data Output Complement
17	SDO	Data Output True
18	V_{CCO}	Positive power supply input (Output Driver)
19	SD/HD	Data Rate Range Output
20	SCO_EN	Serial Clock or Serial Data 2 Output select (active high enables serial clock output)
DAP	V_{EE}	Connect exposed DAP to negative power supply (ground)

Absolute Maximum Ratings (Note 1)

It is anticipated that this device will not be offered in a military qualified version. If Military/Aerospace specified devices are required, please contact the National Semiconductor Sales Office/Distributors for availability and specifications.

Supply Voltage ($V_{CC}-V_{EE}$) 4.0V
 Logic Supply Voltage (V_i) $V_{EE}-0.15V$ to $V_{CC}+0.15V$

Logic Input Current (single input):
 $V_i = V_{EE}-0.15V$ -5 mA
 $V_i = V_{CC}+0.15V$ +5 mA

Logic Output Voltage (V_o) $V_{EE}-0.15V$ to $V_{CC}+0.15V$

Logic Output Source/Sink Current ± 8 mA

Serial Data Input Voltage (V_{SDI}) V_{CC} to $V_{CC}-2.0V$

Serial Data Output Sink Current (I_{SDO}) 24 mA

Package Thermal Resistance, TSSOP

θ_{JA} 26.6°C/W

θ_{JC} 2.4°C/W

Storage Temp. Range -65°C to +150°C

Junction Temperature +150°C

Lead Temperature (Soldering 4 Sec) +260°C (Pb-free)

ESD Rating (HBM) 8 kV

ESD Rating (MM) 350V

Recommended Operating Conditions

Supply Voltage ($V_{CC}-V_{EE}$) 3.3V $\pm 5\%$

Logic Input Voltage V_{EE} to V_{CC}

Differential Serial Input Voltage 800 mV $\pm 10\%$

Serial Data or Clock Output Sink Current (I_{SDO}) 16 mA max.

Operating Free Air Temperature (T_A) -40°C to +85°C

DC Electrical Characteristics

Over Supply Voltage and Operating Temperature ranges, unless otherwise specified. (Notes 2, 3)

Symbol	Parameter	Conditions	Reference	Min	Typ	Max	Units
V_{IH}	Input Voltage High Level		Logic inputs	2		V_{CC}	V
V_{IL}	Input Voltage Low Level			V_{EE}		0.8	V
I_{IH}	Input Current High Level	$V_{IH} = V_{CC}$			1	65	μA
I_{IL}	Input Current Low Level	$V_{IL} = V_{EE}$			-1	-25	μA
V_{OH}	Output Voltage High Level	$I_{OH} = -2$ mA	Logic outputs	2			V
V_{OL}	Output Voltage Low Level	$I_{OL} = +2$ mA				$V_{EE} + 0.6$	V
V_{SDID}	Serial Input Voltage, Differential		SDI	200		1600	mV _{P-P}
V_{CMI}	Input Common Mode Voltage			$V_{CC}-1.6$		$V_{CC}-0.2$	V
V_{SDOD}	Serial Output Voltage, Differential	100 Ω differential load	SDO, SCO	720	800	880	mV _{P-P}
V_{CMO}	Output Common Mode Voltage	100 Ω differential load				$V_{CC}-V_{SDOD}$	V
I_{CC}	Power Supply Current, 3.3V supply, Total	1485 Mbps, NTSC color bar pattern			111		mA

AC Electrical Characteristics

Over Supply Voltage and Operating Temperature ranges, unless otherwise specified. (Note 3)

Symbol	Parameter	Conditions	Reference	Min	Typ	Max	Units
BR _{SD}	Serial Data Rate	SMPTE 259M, C	SDI, SDO		270		Mbps
BR _{SD}	Serial Data Rate	SMPTE 292M			1483, 1485		Mbps
BR _{SD}	Serial Data Rate	SMPTE 424M			2967, 2970		Mbps
TOL _{JIT}	Serial Input Jitter Tolerance	270 Mbps, (Notes 7, 9, 11)	SDI		>6		UI _{P-P}
TOL _{JIT}	Serial Input Jitter Tolerance	270 Mbps, (Notes 7, 8, 10)		>0.6			UI _{P-P}
TOL _{JIT}	Serial Input Jitter Tolerance	1483 or 1485 Mbps, (Notes 7, 8, 9)		>6			UI _{P-P}
TOL _{JIT}	Serial Input Jitter Tolerance	1483 or 1485 Mbps, (Notes 7, 8, 10)		>0.6			UI _{P-P}
TOL _{JIT}	Serial Input Jitter Tolerance	2967 or 2970 Mbps, (Notes 7, 8, 9)		>6			UI _{P-P}
TOL _{JIT}	Serial Input Jitter Tolerance	2967 or 2970 Mbps, (Notes 7, 8, 10)		>0.6			UI _{P-P}
t _{JIT}	Serial Data Output Jitter	270 Mbps, (Note 8)		SDO		0.01	0.06
t _{JIT}	Serial Data Output Jitter	1483 or 1485 Mbps, (Note 8)			0.03	0.08	UI _{P-P}
t _{JIT}	Serial Data Output Jitter	2967 or 2970 Mbps, (Note 8)			0.09	0.15	UI _{P-P}
BW _{LOOP}	Loop Bandwidth	270 Mbps, <0.1dB Peaking			300		kHz
		1485 Mbps, <0.1dB Peaking			2.0		MHz
		2970 Mbps, <0.1dB Peaking			4.0		MHz
F _{CO}	Serial Clock Output Frequency	270 Mbps data rate	SCO		270		MHz
F _{CO}	Serial Clock Output Frequency	1483 Mbps data rate			1483		MHz
F _{CO}	Serial Clock Output Frequency	1485 Mbps data rate			1485		MHz
F _{CO}	Serial Clock Output Frequency	2967 Mbps data rate			1483		MHz
F _{CO}	Serial Clock Output Frequency	2970 Mbps data rate			1485		MHz
t _{JIT}	Serial Clock Output Jitter					2	3
	Serial Clock Output Alignment with respect to Data Interval		SDO, SCO	40		60	%
	Serial Clock Output Duty Cycle		SCO	45		55	%
T _{ACQ}	Acquisition Time	Auto-Rate Detect Mode, (Notes 4, 6)			10	16	ms
		Fixed Rate Mode, (Notes 4, 6)			1	6	ms
t _r , t _f	Input rise/fall time	10%–90%	Logic inputs		1.5	3	ns

Symbol	Parameter	Conditions	Reference	Min	Typ	Max	Units
t_r, t_f	Input rise/fall time	20%–80%, 270 Mbps	SDI			1500	ps
t_r, t_f	Input rise/fall time	20%–80%, 1483 or 1485 Mbps				270	ps
t_r, t_f	Input rise/fall time	20%–80%, 2967 or 2970 Mbps				135	ps
t_r, t_f	Output rise/fall time	10%–90%	Logic outputs		1.5	3	ns
t_r, t_f	Output rise/fall time	20%–80%, (Note 5)	SDO, SCO		90	130	ps
F_{REF}	Reference Clock Frequency				27		MHz
F_{TOL}	Reference Clock Frequency Tolerance				±50		ppm

Note 1: “Absolute Maximum Ratings” are those parameter values beyond which the life and operation of the device cannot be guaranteed. The stating herein of these maximums shall not be construed to imply that the device can or should be operated at or beyond these values. The table of “Electrical Characteristics” specifies acceptable device operating conditions.

Note 2: Current flow into device pins is defined as positive. Current flow out of device pins is defined as negative. All voltages are referenced to V_{EE} (equal to zero volts).

Note 3: Typical values are stated for: $V_{CC} = +3.3V$, $T_A = +25^\circ C$.

Note 4: Spec is guaranteed by design.

Note 5: $R_L = 100\Omega$ differential.

Note 6: Measured from first SDI transition until Lock Detect (LD) output goes high (true).

Note 7: Peak-to-peak amplitude with sinusoidal modulation per SMPTE RP 184-1996 paragraph 4.1. The test data signal shall be color bars.

Note 8: This parameter is guaranteed by characterization over voltage and temperature limits.

Note 9: Refer to “A1” in Figure 1 of SMPTE RP 184-1996.

Note 10: Refer to “A2” in Figure 1 of SMPTE RP 184-1996.

Note 11: Characterized to the limitations of SDI test equipment.

Device Description

The LMH0346 3Gbps HD/SD SDI Reclocker is used in many types of digital video signal processing equipment. Supported serial digital video standards are SMPTE 259M (C), SMPTE 292M, and SMPTE 424M. Corresponding serial data rates are 270 Mbps, 1.483 Gbps, 1.485 Gbps, 2.967 Gbps, and 2.97 Gbps. DVB-ASI data at 270 Mbps may also be retimed. The LMH0346 retimes the serial data stream to suppress accumulated jitter. It provides two low-jitter, differential, serial data outputs. The second output may be selected to output either serial data or a low-jitter serial data-rate clock (DDR clock at 3Gbps). Controls and indicators are: serial clock or second serial data output select, manual rate select input, SD/HD rate output, lock detect output, auto/manual data bypass and output mute.

Serial data inputs are CML and LVPECL compatible. Serial data and clock outputs are differential CML and produce LVPECL compatible levels. The output buffer design can drive AC or DC-coupled, terminated 100 Ω differential loads. The differential output level is 800 mV_{P-P} \pm 10% into 100 Ω AC or DC-coupled differential loads. Logic inputs and outputs are LVCMOS compatible.

The device package is a TSSOP20 with an exposed die attach pad. The exposed die attach pad is electrically connected to device ground (V_{EE}) and is the negative electrical terminal for the device. This terminal must be connected to the negative power supply or circuit ground.

Serial Data Inputs, Serial Data and Clock Outputs

SERIAL DATA INPUT AND OUTPUTS

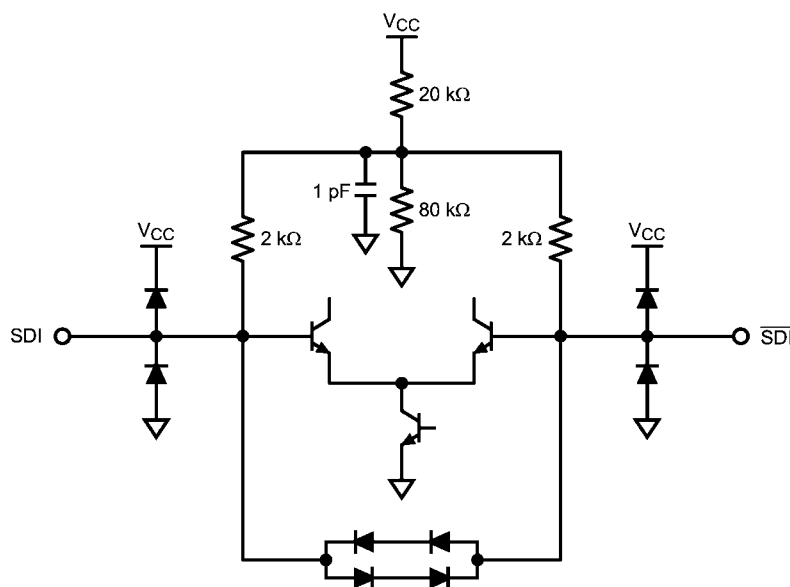
The differential serial data input, SDI, accepts serial digital video data at the rates specified in *Table 1*. The serial data

input is differential LVPECL compatible. The input is intended to be DC interfaced to devices such as the LMH0344 adaptive cable equalizer. The input is not internally terminated or biased. The input may be AC-coupled if a suitable input bias voltage is provided. *Figure 1* shows the equivalent input circuit for SDI and $\overline{\text{SDI}}$.

The LMH0346 has two, retimed, differential, serial data outputs, SDO and SCO/SDO2. These outputs provide low jitter, differential, retimed data to devices such as the LMH0302 cable driver. Output SCO/SDO2 is multiplexed and can provide either a second serial data output or a serial clock output. *Figure 2* shows the equivalent output circuit for SDO, $\overline{\text{SDO}}$, SCO/SDO2, and $\overline{\text{SCO/SDO2}}$.

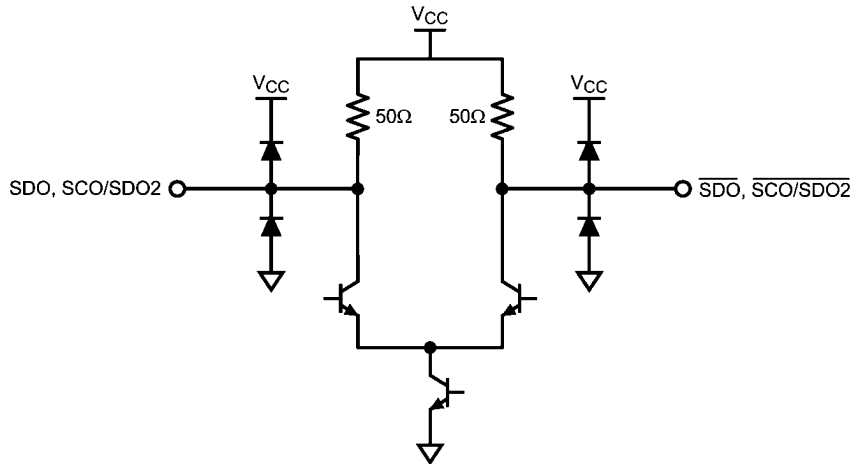
The SCO_EN input controls the operating mode for the SCO/SDO2 output. When the SCO_EN input is high the SCO/SDO2 output provides a serial clock. When SCO_EN is low, the SCO/SDO2 output provides retimed serial data.

Both differential serial data outputs, SDO and SCO/SDO2, are muted when the $\overline{\text{MUTE}}$ input is a logic low level. SCO/SDO2 also mutes when the Bypass mode is activated when this output is operating as the serial clock output. When muted, SDO and $\overline{\text{SDO}}$ (or SDO2 and $\overline{\text{SDO2}}$) will assume opposite differential output levels. The CML serial data outputs are differential LVPECL compatible. These outputs have internal 50 Ω pull-ups and are suitable for driving AC or DC-coupled, 100 Ω center-tapped, AC grounded or 100 Ω un-center-tapped, differentially terminated networks.



20215008

FIGURE 1. Equivalent SDI Input Circuit (SDI, $\overline{\text{SDI}}$)



20215009

FIGURE 2. Equivalent SDO Output Circuit (SDO, $\overline{\text{SDO}}$, SCO/SDO2, $\overline{\text{SCO/SDO2}}$)

OPERATING SERIAL DATA RATES

This device operates at serial data rates of 270 Mbps, 1483 Mbps, 1485 Mbps, 2967 Mbps, and 2970 Mbps. The device does not lock to harmonics of these rates. The device does not lock and automatically enters the reclocker bypass mode for the following data rates: 143 Mbps, 177 Mbps, 360 Mbps, and 540 Mbps.

SERIAL DATA CLOCK/SERIAL DATA 2 OUTPUT

The Serial Data Clock/Serial Data 2 Output is controlled by the SCO_EN input and provides either a second retimed serial data output or a low jitter differential clock output appropriate to the serial data rate being processed. When operating as a serial clock output, the rising edge of the clock will be positioned within the corresponding serial data bit interval within 10% of the center of the data interval. In 270 Mbps or 1483 / 1485 Mbps mode, the LMH0346 implements a single data rate (SDR) clock. In 2967 / 2970 Mbps mode, the LMH0346 implements a double data rate (DDR) clock.

Differential output SCO/SDO2 functions as the second serial data output when the SCO_EN input is a logic-low level. This output functions as the serial clock output when the SCO_EN input is a logic-high level. The SCO_EN input has an internal pull-down device and the default state of SCO_EN is low (serial data output 2 enabled). SCO/SDO2 is muted when the MUTE input is a logic low level. When the Bypass mode is activated and this output is functioning as a serial clock output, the output will also be muted.

Control Inputs and Indicator Outputs

SERIAL DATA RATE SELECTOR

The Serial Data Rate Selector (RATE [1:0]) permits the user to fix the operating serial data rate. The pins have internal pull-downs which maintain a logic-low input condition unless externally driven to a logic-high condition. This input also serves to place the device in a test mode. The codes shown in Table 1 select the desired operating serial data rate. The LMH0346 then enters either the Auto-Rate Detect mode or a single operating rate. Selecting the 270 Mbps rate mode may also be used when reclocking DVB-ASI data. DVB-ASI data

is MPEG2 coded data that is transmitted in 8B10B coding. The device will reclock this data without harmonic locking. Auto-Rate Detect mode may be used for any supported data rate, including DVB-ASI.

TABLE 1. Data Rate Select Input Codes

Rate [1:0] Code	Data Rate or Mode	Comments
00	Auto-Rate Detect mode	
01	270 Mbps	May be used to support DVB-ASI operation
10	1483/1485 Mbps, 2967/2970 Mbps	

LOCK DETECT

The Lock Detect (LD) output, when high, indicates that data is being received and the PLL is locked. LD may be connected to the MUTE input to mute the data and clock outputs when no data signal is being received. See Table 2.

MUTE

The MUTE input, when low, mutes the serial data and clock outputs. It may be connected to Lock Detect or externally driven to mute or un-mute the outputs. If MUTE is connected to LD, then the data and clock outputs are muted when the PLL is not locked. This function overrides the Bypass function: see Table 2. MUTE has an internal pull-up device to enable the output by default.

BYPASS/AUTO BYPASS

The Bypass/Auto Bypass input, when high, forces the device to output the data without reclocking it. When this input is low, the device automatically bypasses the reclocking function when the device is in an unlocked condition or the detected data rate is a rate which the device does not support. See Table 2. BYPASS/AUTO BYPASS has an internal pull-down device.

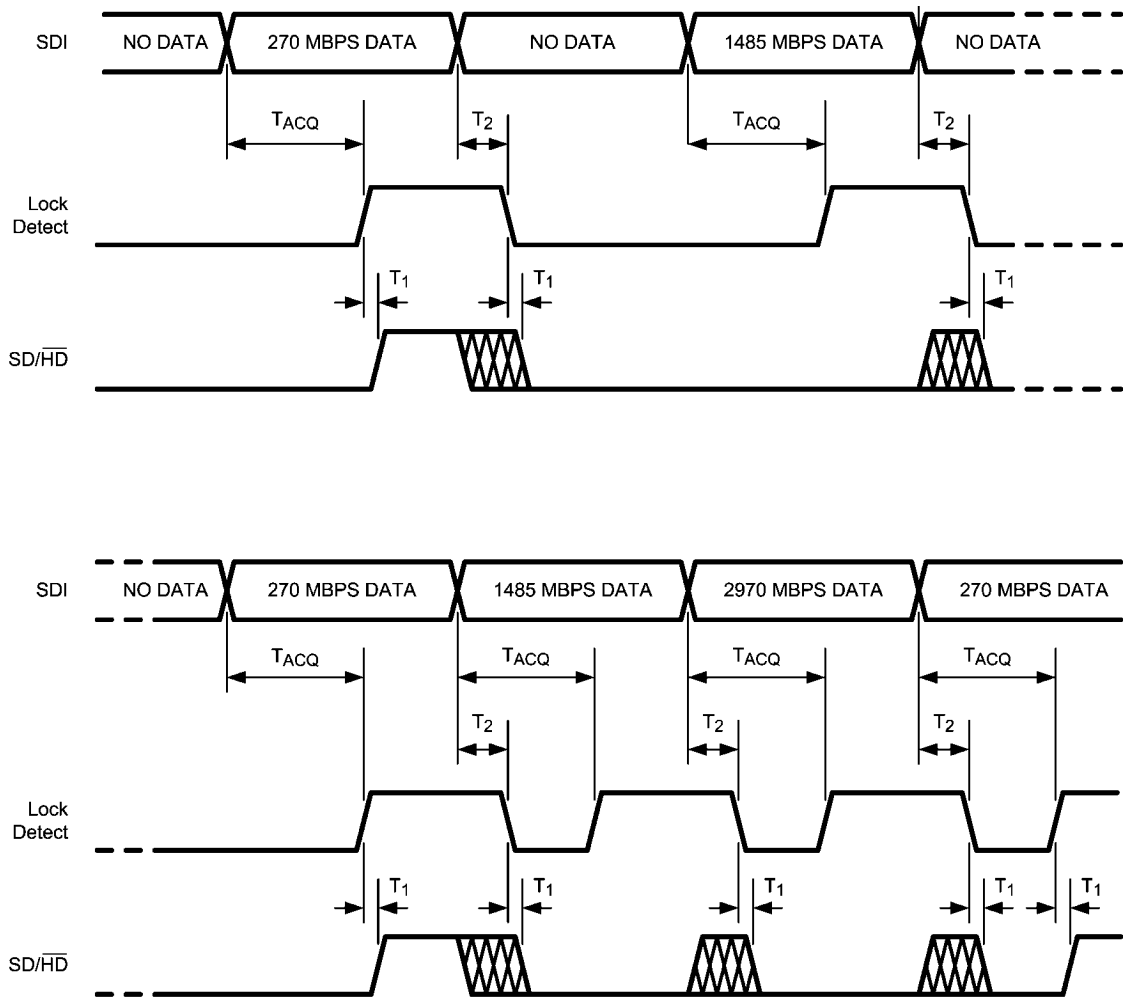
TABLE 2. Control Functionality

LOCK DETECT	OUTPUT MUTE	BYPASS/AUTO BYPASS	DEVICE STATUS
0	1	0	PLL unlocked, reclocker bypassed
1	1	0	PLL locked to supported data rate, reclocker not bypassed
X	0	X	Outputs muted
0	LOCK DETECT	X	Outputs muted
1	LOCK DETECT	0	PLL locked to supported data rate, reclocker not bypassed
1	LOCK DETECT	1	PLL locked to supported data rate, reclocker bypassed
X	1	1	Outputs not muted, reclocker bypassed

SD/ $\overline{\text{HD}}$

The SD/ $\overline{\text{HD}}$ output indicates whether the LMH0346 is processing SD or HD / 3Gbps data rates. It may be used to control another device such as the LMH0302 cable driver. When this output is high it indicates that the data rate is 270 Mbps. When low, the indicated data rate is 1483, 1485, 2967, or 2970 Mbps. The SD/ $\overline{\text{HD}}$ output is a registered function and

is only valid when the PLL is locked and the Lock Detect output is high. When the PLL is not locked (the Lock Detect output is low), the SD/ $\overline{\text{HD}}$ output defaults to HD (low). The SD/ $\overline{\text{HD}}$ output is undefined for a short time after lock detect assertion or deassertion due to a data rate change on SDI. See *Figure 3* for a timing diagram showing the relationship between SDI, Lock Detect, and SD/ $\overline{\text{HD}}$.



T_{ACQ} = Acquisition Time, defined in the AC Electrical Characteristics Table
 T₁ = Time from Lock Detect assertion or deassertion until SD/H̄D output is valid, typically 37 ns (one 27 MHz clock period)
 T₂ = Time from SDI input change until Lock Detect de-assertion, 1 ms maximum. SD/H̄D output is not valid during this time.

20215005

FIGURE 3. SDI, Lock Detect, and SD/H̄D Timing

SCO_EN

Input SCO_EN enables the SCO/SDO2 differential output to function either as a serial clock or second serial data output. SCO/SDO2 functions as a serial clock when SCO_EN is high. This pin has an internal pull-down device. The default state (low) enables the SCO/SDO2 output as a second serial data output.

CRYSTAL OR EXTERNAL CLOCK REFERENCE

The LMH0346 uses a 27 MHz crystal or external clock signal as a timing reference input. A 27 MHz parallel resonant crystal and load network may be connected to the XTAL IN/EXT CLK and XTAL OUT pins. Alternatively, a 27 MHz LVCMOS compatible clock signal may be input to XTAL IN/EXT CLK. Parameters for a suitable crystal are given in *Table 3*.

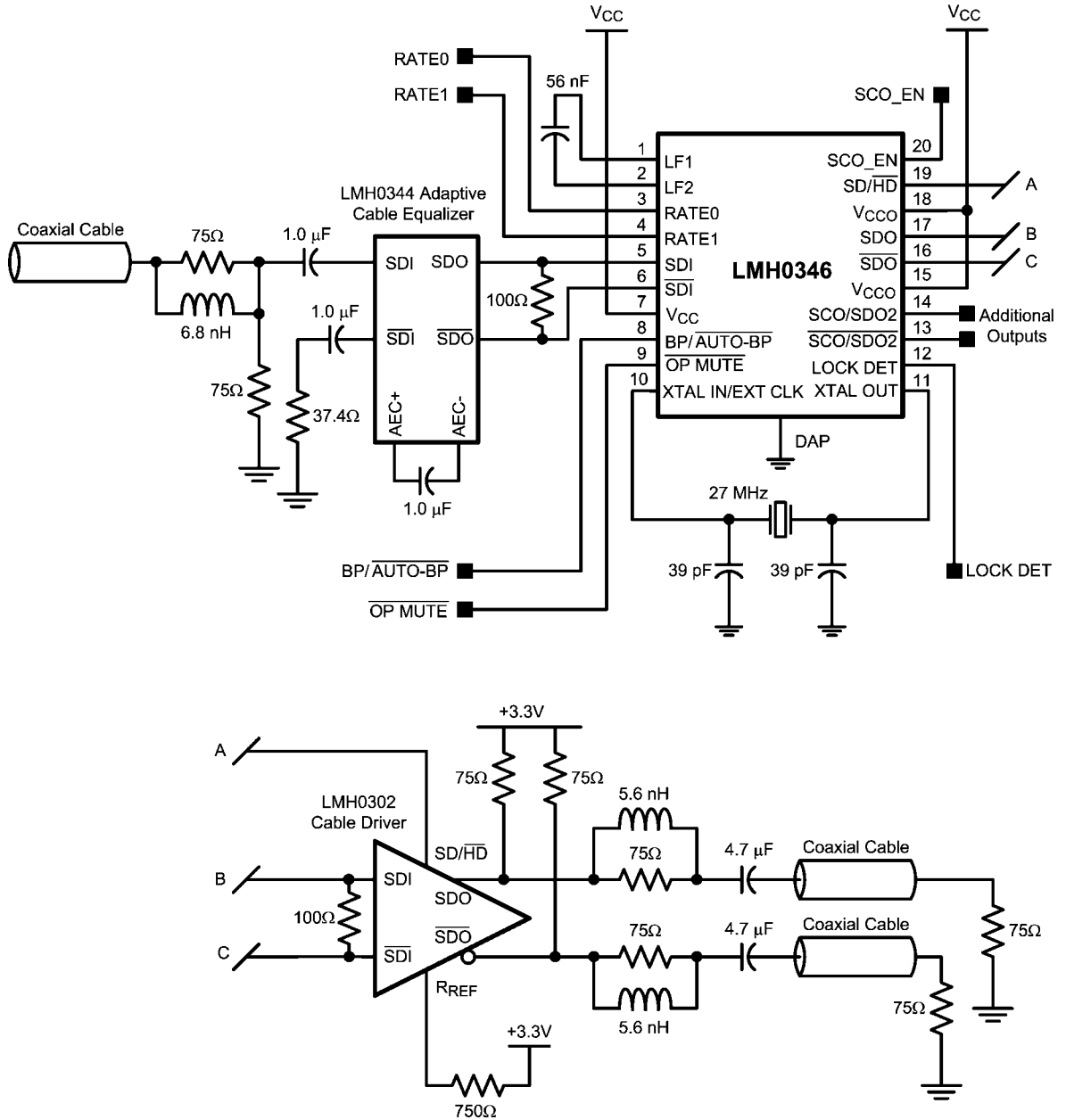
TABLE 3. Crystal Parameters

Parameter	Value
Frequency	27 MHz
Frequency Stability	±50 ppm @ recommended drive level
Operating Mode	Fundamental mode, Parallel Resonant
Load Capacitance	20 pF

Parameter	Value
Shunt Capacitance	7 pF
Series Resistance	40Ω max.
Recommended Drive Level	100 μW
Maximum Drive Level	500 μW
Operating Temperature Range	-10°C to +60°C

Application Information

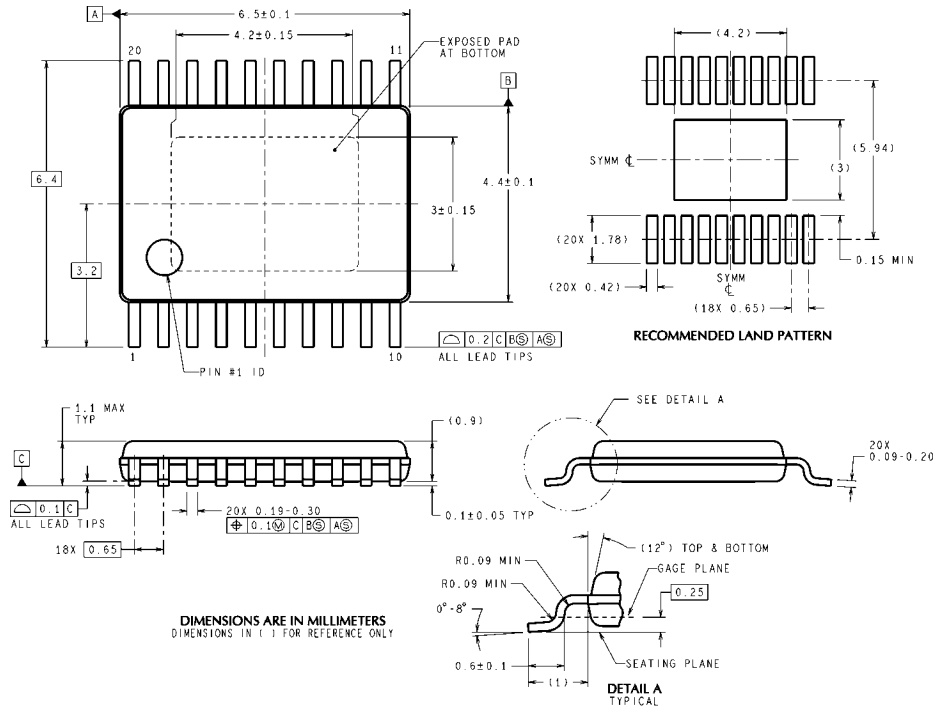
Figure 4 shows an application circuit for the LMH0346 along with the LMH0344 3Gbps HD/SD SDI Adaptive Cable Equalizer and LMH0302 3Gbps HD/SD SDI Cable Driver.



20215004

FIGURE 4. Application Circuit

Physical Dimensions inches (millimeters) unless otherwise noted



20-Pin e-TSSOP
Order Number LMH0346MH
NS Package Number MXA20A

MXA20A (Rev C)

Notes

THE CONTENTS OF THIS DOCUMENT ARE PROVIDED IN CONNECTION WITH NATIONAL SEMICONDUCTOR CORPORATION ("NATIONAL") PRODUCTS. NATIONAL MAKES NO REPRESENTATIONS OR WARRANTIES WITH RESPECT TO THE ACCURACY OR COMPLETENESS OF THE CONTENTS OF THIS PUBLICATION AND RESERVES THE RIGHT TO MAKE CHANGES TO SPECIFICATIONS AND PRODUCT DESCRIPTIONS AT ANY TIME WITHOUT NOTICE. NO LICENSE, WHETHER EXPRESS, IMPLIED, ARISING BY ESTOPPEL OR OTHERWISE, TO ANY INTELLECTUAL PROPERTY RIGHTS IS GRANTED BY THIS DOCUMENT.

TESTING AND OTHER QUALITY CONTROLS ARE USED TO THE EXTENT NATIONAL DEEMS NECESSARY TO SUPPORT NATIONAL'S PRODUCT WARRANTY. EXCEPT WHERE MANDATED BY GOVERNMENT REQUIREMENTS, TESTING OF ALL PARAMETERS OF EACH PRODUCT IS NOT NECESSARILY PERFORMED. NATIONAL ASSUMES NO LIABILITY FOR APPLICATIONS ASSISTANCE OR BUYER PRODUCT DESIGN. BUYERS ARE RESPONSIBLE FOR THEIR PRODUCTS AND APPLICATIONS USING NATIONAL COMPONENTS. PRIOR TO USING OR DISTRIBUTING ANY PRODUCTS THAT INCLUDE NATIONAL COMPONENTS, BUYERS SHOULD PROVIDE ADEQUATE DESIGN, TESTING AND OPERATING SAFEGUARDS.

EXCEPT AS PROVIDED IN NATIONAL'S TERMS AND CONDITIONS OF SALE FOR SUCH PRODUCTS, NATIONAL ASSUMES NO LIABILITY WHATSOEVER, AND NATIONAL DISCLAIMS ANY EXPRESS OR IMPLIED WARRANTY RELATING TO THE SALE AND/OR USE OF NATIONAL PRODUCTS INCLUDING LIABILITY OR WARRANTIES RELATING TO FITNESS FOR A PARTICULAR PURPOSE, MERCHANTABILITY, OR INFRINGEMENT OF ANY PATENT, COPYRIGHT OR OTHER INTELLECTUAL PROPERTY RIGHT.

LIFE SUPPORT POLICY

NATIONAL'S PRODUCTS ARE NOT AUTHORIZED FOR USE AS CRITICAL COMPONENTS IN LIFE SUPPORT DEVICES OR SYSTEMS WITHOUT THE EXPRESS PRIOR WRITTEN APPROVAL OF THE CHIEF EXECUTIVE OFFICER AND GENERAL COUNSEL OF NATIONAL SEMICONDUCTOR CORPORATION. As used herein:

Life support devices or systems are devices which (a) are intended for surgical implant into the body, or (b) support or sustain life and whose failure to perform when properly used in accordance with instructions for use provided in the labeling can be reasonably expected to result in a significant injury to the user. A critical component is any component in a life support device or system whose failure to perform can be reasonably expected to cause the failure of the life support device or system or to affect its safety or effectiveness.

National Semiconductor and the National Semiconductor logo are registered trademarks of National Semiconductor Corporation. All other brand or product names may be trademarks or registered trademarks of their respective holders.

Copyright© 2007 National Semiconductor Corporation

For the most current product information visit us at www.national.com



National Semiconductor Americas Customer Support Center
 Email: new.feedback@nsc.com
 Tel: 1-800-272-9959

National Semiconductor Europe Customer Support Center
 Fax: +49 (0) 180-530-85-86
 Email: europe.support@nsc.com
 Deutsch Tel: +49 (0) 69 9508 6208
 English Tel: +49 (0) 870 24 0 2171
 Français Tel: +33 (0) 1 41 91 8790

National Semiconductor Asia Pacific Customer Support Center
 Email: ap.support@nsc.com

National Semiconductor Japan Customer Support Center
 Fax: 81-3-5639-7507
 Email: jpn.feedback@nsc.com
 Tel: 81-3-5639-7560