

LMH1251

Y_PB_PR to RGB Decoder and 2:1 Video Switch

General Description

The LMH™1251 is a wideband 2:1 analog video switch with an integrated Y_PB_PR to RGB decoder. The device accepts one set of Y_PB_PR inputs and one set of RGB/HSYNC/VSYNC inputs. Based on the input selected, the output will be either a decoded TV or buffered PC video signal.

The LMH1251 has a SYNC separator and processor that is capable of extracting sync timing information from both Standard Definition Television (SDTV) and High Definition Television (HDTV) inputs. It provides bi-level sync, and tri-level sync separation.

The color space conversion from Y_PB_PR to RGB in the LMH1251 is realized with a very high precision fully analog dematrixer that provides chrominance accuracy that is less than 2.5% of amplitude & 1.5° of phase error on a vector-scope. It is equipped with a smart video detection circuit which automatically senses SDTV and HDTV video formats and applies the appropriate color space conversion.

The LMH1251 is capable of handling SDTV, HDTV, XGA, SXGA, and UXGA video formats, which makes it an ideal solution for enhancing value in applications ranging from LCD monitors, to set-top boxes, to projectors. The LMH1251 is available in a TSSOP-24 package.

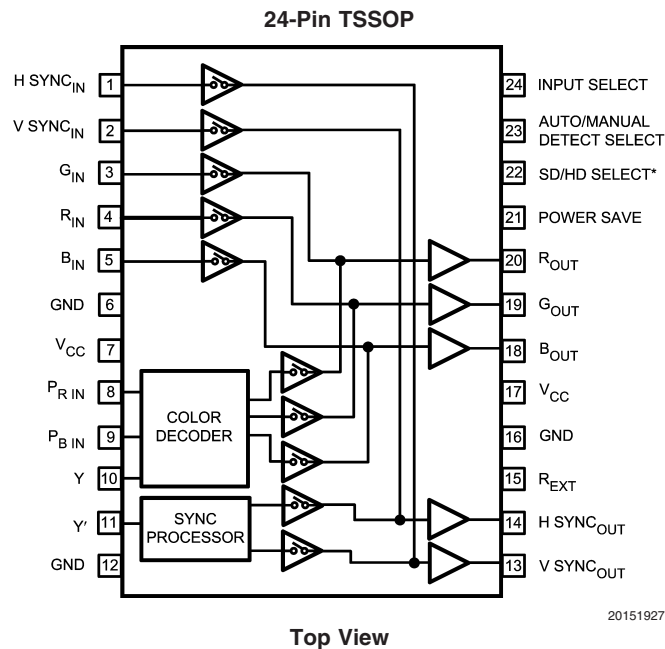
Features

- Y_PB_PR to RGB decoding
- Y_PB_PR path: 70 MHz, -3 dB, 700 mV_{PP} bandwidth
- RGB path: 400 MHz, -3 dB, 700 mV_{PP} bandwidth
- Supports PC video display resolutions up to UXGA (1600 x 1200 @ 75 Hz)
- Supports 480i, 480p, 576i, 576p, 720p, 1080i, and 1080p
- Smart video format detection for SD and HD
- Power save mode

Applications

- TFT LCD monitor
- CRT monitor
- Set-top box
- Display projector

Connection Diagram



LMH™ is a trademark of National Semiconductor Corporation.

Truth Table

TABLE 1. Input Select

Pin 24	OUT
0	RGBhv input Ch
1	Y _P B _P R input Ch

TABLE 2.

Pin 23	Pin 22	SYNC	Format Detection	Decoding Scheme
0	0	Bi-Level	Manual	480p
0	1	Tri-Level	Manual	720p/180i
1	*Outputs 0	Bi-Level	Auto	480p
1	*Outputs 1	Tri-Level	Auto	720p/1080i

Note: * When Pin 23 is set high, the LMH1251 is in Auto Mode, in which it can detect the incoming video format (SD or HD) and apply the appropriate color decoding and sync processing. With Auto Mode, Pin 22 becomes an output pin, and will either output a logic high or low to notify the user of the format that is being detected by the LMH1251. If Pin 23 is set low, the LMH1251 is in Manual Mode, in which the user must specify

the format with Pin 22. With Manual Mode, Pin 22 is an input pin. Since Pin 22 is a bi-directional pin, care must be taken to not apply any voltages to it when it is in the Auto Mode, in which it functions as an output pin. The use of the Auto Mode with Pin 22 left floating is typically recommended.

TABLE 3. Power Save

Pin 21	Low Power Mode
0	Disable
1	Enabled

Ordering Information

Package	Part Number	Package Marking	Transport Media	NSC Drawing
24-Pin TSSOP	LMH1251MT	LMH1251MT	61 Units/Rail	MTC24
	LMH1251MTX		2.5k Units Tape and Reel	

Absolute Maximum Ratings (Notes 1, 3)

If Military/Aerospace specified devices are required, please contact the National Semiconductor Sales Office/Distributors for availability and specifications.

ESD Tolerance	
Susceptibility(Notes 4)	4.0 kV
Machine Model (Note 11)	400V
Supply Voltage V_{CC} , Pins 7 and 17	5.5V
Voltage at any Input Pin (V_{IN})	$V_{CC} - 0.5 \geq V_{IN} \geq 0V$
Video Inputs (pk-pk)	$0.0V \leq V_{IN} \leq 1.2V$
Thermal Resistance to Ambient (θ_{JA})	110°C/W

Thermal Resistance to Case (θ_{JC})	25°C/W
Junction Temperature (T_J)	+150°C
Storage Temperature Range	-65°C to +150°C
Lead Temperature (soldering 10 sec.)	265°C

Operating Ratings (Note 2)

Operating Temperature Range	0°C to +70°C
Supply Voltage (V_{CC})	$4.75V \leq V_{CC} \leq 5.25V$
RGB Video Inputs (pk-pk)	$0.0V \leq V_{IN} \leq 0.7V$
Y Video Inputs (incl. Sync)	$-0.3V \leq V_{IN} \leq 0.7V$
P_{BPR} Video Inputs	$-0.35V \leq V_{IN} \leq 0.35V$

Video Signal Electrical Characteristics

Unless otherwise noted: $T_A = 25^\circ\text{C}$, $V_{CC} = +5.0V$, RGB Video $_{IN} = 0.70$, Y Video $_{IN} = 0.7 V_{PP}$, P_{BPR} Video $_{IN} = \pm 350$ mV, $C_L = 8$ pF, Video Outputs = $0.7 V_{PP}$. See (Note 7) for Min and Max parameters and (Note 6) for typicals.

Symbol	Parameter	Conditions (Note 2)	Min	Typ	Max	Units
$I_{S, RGB}$	Supply Current	No Output Loading, 80 kHz	28	34	41	mA
$I_{S, YP_{BPR}}$	Supply Current	No Output Loading, 480p see (Note 8)	60	70	80	mA
I_{S-PS}	Supply Current, Power Save Mode	Power Save Mode, No Output Loading, 80 kHz, see (Note 8)	4	8	12	mA
I_{OUT}	Output Current			3		mA
V_{O_BLK}	Typical DC Active Video Black Level Output Voltage	No AC Input Signal	1.8	2.1	2.4	VDC
Gain $_{RGB}$	RGB Video Unity Gain	RGB Video $_{IN} = 0.7 V_{PP}$		0.07		dB
Ch-Ch Match $_{RGB}$	RGB Ch to Ch Matching	RGB Video $_{IN} = 0.7 V_{PP}$		0.02		dB
LE $_{RGB}$	RGB Input: Linearity Error	Staircase Input Signal see (Note 9)		0		%

Video Time Domain Response

RGB t_r	RGB Input: Video Rise Time	10% to 90%, AC Input Signal (Note 5)		1.55		ns
RGB OS $_R$	RGB Input: Rising Edge Overshoot	AC Input Signal (Note 5)		3		%
RGB t_f	RGB Input: Video Fall Time	90% to 10%, AC Input Signal (Note 5)		1.55		ns
RGB OS $_F$	RGB Input: Rising Edge Overshoot	AC Input Signal (Note 5)		3		%
SD YP $_{BPR}$ t_r	SD YP $_{BPR}$ Input: Video Rise Time	10% to 90%, AC Input Signal (Note 5)		1.54		ns
RGB OSF	RGB Input: Falling Edge Overshoot	(Note 5), AC Input Signal		3		%
SD YP $_{BPR}$ t_r	SD YP $_{BPR}$ Input: Video Rise Time	10% to 90%, AC Input Signal (Note 5)		15.4		ns
SD YP $_{BPR}$ OS $_R$	SD YP $_{BPR}$ Input: Rising Edge Overshoot	AC Input Signal (Note 5)		3		%
SD YP $_{BPR}$ t_f	SD YP $_{BPR}$: Video Fall Time	90% to 10%, AC Input Signal (Note 5)		15.4		ns
SD YP $_{BPR}$ OS $_F$	SD YP $_{BPR}$: Falling Edge Overshoot	AC Input Signal (Note 5)		3		%

Video Signal Electrical Characteristics (Continued)

Unless otherwise noted: $T_A = 25^\circ\text{C}$, $V_{CC} = +5.0\text{V}$, $\text{RGB Video}_{\text{IN}} = 0.70$, $\text{Y Video}_{\text{IN}} = 0.7 V_{PP}$, $P_{BPR} \text{ Video}_{\text{IN}} = \pm 350 \text{VmV}$, $C_L = 8 \text{pF}$, Video Outputs = $0.7 V_{PP}$. See (Note 7) for Min and Max parameters and (Note 6) for typicals.

Symbol	Parameter	Conditions (Note 2)	Min	Typ	Max	Units
$\text{HD YP}_{BPR} t_r$	HD YP_{BPR} Input: Video Rise Time	10% to 90%, AC Input Signal (Note 5)		8.4		ns
$\text{HD YP}_{BPR} \text{OS}_R$	HD YP_{BPR} Input: Rising Edge Overshoot	AC Input Signal (Note 5)		3		%
$\text{HD YP}_{BPR} t_f$	HD YP_{BPR} : Video Fall Time	90% to 10%, AC Input Signal (Note 5)		8.4		ns
$\text{HD YP}_{BPR} \text{OS}_F$	HD YP_{BPR} : Falling Edge Overshoot	AC Input Signal (Note 5)		3		%

Video Frequency Domain Response

RGB BW	RGB Input: Channel Bandwidth (-3 dB)	Large Signal BW		400		MHz
YP_{BPR} BW	YP_{BPR} Input (SD & HD): Channel Bandwidth (-3 dB)	Large Signal BW		70		MHz
$V_{\text{SEP Ch-Ch}}$ 10 MHz	Video Amplifier 10 MHz Isolation Channel to Channel	(Note 12)		-50		dB
V_{SEP} INPUT-INPUT 10 MHz	Video Amplifier 10 MHz Isolation RGB Input to YP_{BPR} Input	(Note 12)		-55		dB
SNR	Signal to Noise Ratio	AC Input Signal, $C_L = 8 \text{pF}$ (Note 12)		55		dB

Color Decoding Accuracy Unless otherwise noted: $T_A = 25^\circ\text{C}$, $V_{CC} = +5.0\text{V}$, $\text{Y Video}_{\text{IN}} = 0.7 V_{PP}$, $P_{BPR} \text{ Video}_{\text{IN}} = \pm 350 \text{VmV}$, $C_L = 8 \text{pF}$, Video Outputs = $0.7 V_{PP}$. See (Note 7) for Min and Max parameters and (Note 6) for typicals.

Symbol	Parameter	Conditions	Min	Typ	Max	Units
$V_{\text{COLOR ERROR}}$	$ P_{BPR} $ Amplitude (Calculated from RGB Outputs)	YP_{BPR} Video Input, 100% Color Bar (any 3 colors), (Note 13)		± 0.3	± 2.5	%
$\theta_{\text{COLOR ERROR}}$	P_{BPR} Phase Angle Calculated from RGB Outputs)	YP_{BPR} Video Input, 100% Color Bar (any 3 colors), (Note 13)		± 0.2	± 1.5	deg

Sync Signal Electrical Characteristics

Unless otherwise noted: $T_A = 25^\circ\text{C}$, $V_{CC} = +5.0\text{V}$, $\text{Y Video}_{\text{IN}} = 0.7 V_{PP}$, $P_{BPR} \text{ Video}_{\text{IN}} = \pm 350 \text{VmV}$, $C_L = 8 \text{pF}$, Video Outputs = $0.7 V_{PP}$. See (Note 7) for Min and Max parameters and (Note 6) for typicals.

Symbol	Parameter	Conditions	Min	Typ	Max	Units
V_{SYNCL}	H & V SYNC Low Input	Pins 1 & 2	-0.5		1.5	V
V_{SYNCH}	H & V SYNC High Input	Pins 1 & 2	3.0		$V_{CC} + 0.5$	V
$I_{\text{O-SYNCH}}$	H & V SYNC Current Sink/Source Capability	5 k Ω Load		3		mA
$t_{R/F-SYNC}$	H & V SYNC Rise/Fall Time			15		ns
$t_{\text{SYNC-WIDTH}}$	H & V SYNC Width Error Relative to H & V SYNC Input	H & V SYNC Input		5		%
$t_{Y-SYNC-WIDTH}$	H & V SYNC Width Error Relative to Composite SYNCs on Y	Composite SYNC on Y Input		5		%
$t_{\text{SYNC-DELAY}}$	50% of H & V SYNC Input to Output	H & V SYNC Input		40		ns

Sync Signal Electrical Characteristics (Continued)

Unless otherwise noted: $T_A = 25^\circ\text{C}$, $V_{CC} = +5.0\text{V}$, $Y \text{ Video}_{IN} = 0.7 V_{PP}$, $P_B P_R \text{ Video}_{IN} = \pm 350 \text{VmV}$, $C_L = 8 \text{pF}$, $\text{Video Outputs} = 0.7 V_{PP}$. See (Note 7) for Min and Max parameters and (Note 6) for typical.

Symbol	Parameter	Conditions	Min	Typ	Max	Units
$t_{Y\text{-HSYNC-DELAY}}$	50% of H SYNC Input to Output	Composite SYNC on Y Input (Not During Vertical Period)		70		ns

System Interface Signal Characteristics

Unless otherwise noted: $T_A = 25^\circ\text{C}$, $V_{CC} = +5.0\text{V}$, $Y \text{ Video}_{IN} = 0.7 V_{PP}$, $P_B P_R \text{ Video}_{IN} = \pm 350 \text{VmV}$, $C_L = 8 \text{pF}$, $\text{Video Outputs} = 0.7 V_{PP}$. See (Note 7) for Min and Max parameters and (Note 6) for typical.

Symbol	Parameter	Conditions	Min	Typ	Max	Units
V_{IL}	Logic Low Input Voltage (Pins 24, 23, 22, 21)		-0.5		1.5	V
V_{IH}	Logic High Input Voltage (Pins 24, 23, 22, 21)		3.0		$V_{CC} + 0.5$	V
I_L	Logic Low Input Current (Pins 24, 23, 22, 21)	Input Voltage = 0.4V		± 10		μA
I_H	Logic High Input Voltage (Pins 24, 23, 22, 21)	Input Voltage = 0.4V		± 10		μA
V_{OL}	Logic Low Output Voltage (Pins 24, 23, 22, 21)	IO = 3 mA		0.5		V

Note 1: Absolute Maximum Ratings indicate limits beyond which damage to the device may occur. Operating Ratings indicate conditions for which the device is intended to be functional, but specific performance is not guaranteed. For guaranteed specifications, see the Electrical Characteristics tables.

Note 2: Operating Ratings indicate conditions for which the device is functional, but do not guarantee specific performance limits. All video inputs must be properly terminated.

Note 3: All voltages are measured with respect to GND, unless otherwise specified.

Note 4: Human Body Model: 100 pF discharged through a 1.5 k Ω resistor.

Note 5: Input from RGB signal generator: $t_r, t_f = 1.5 \text{ns}$. Input from SDTV Y_{BP_R} signal generator: $t_r, t_f = 15 \text{ns}$. Input from HDTV Y_{BP_R} signal generator: $t_r, t_f = 8 \text{ns}$.

Note 6: Typical specifications are specified at $+25^\circ\text{C}$ and represent the most likely parametric norm.

Note 7: Datasheet min/max specification limits are guaranteed by design, test, or statistical analysis. The guaranteed specifications apply only for the test conditions listed. Some performance characteristics may change when the device is not operated under the listed test conditions.

Note 8: The supply current specified is the quiescent current for V_{CC} and 5V with $R_L = \infty$. Load resistors are not required and are not used in the test circuit; therefore, all the supply current is used by the device.

Note 9: Linearity Error is the maximum variation in step height of a 16 step staircase input signal waveform with a $0.7 V_{PP}$ level at the input. All 16 are steps equal, with each at least 100 ns in duration.

Note 10: ΔA_V track is a measure of the ability of any two amplifiers to track each other and quantifies the matching of the three gain stages. It is the difference in gain change between any two amplifiers with the contrast set to $A_V C-50\%$ and measured relative to the A_V max condition. For example, at A_V max the three amplifiers' gains might be 12.1 dB, 11.9 dB, and 11.8 dB and change to 2.2 dB, 1.9 dB and 1.7 dB respectively for contrast set to $A_V C-50\%$. This yields a typical gain change of 10.0 dB with a tracking change of $\pm 0.2 \text{dB}$.

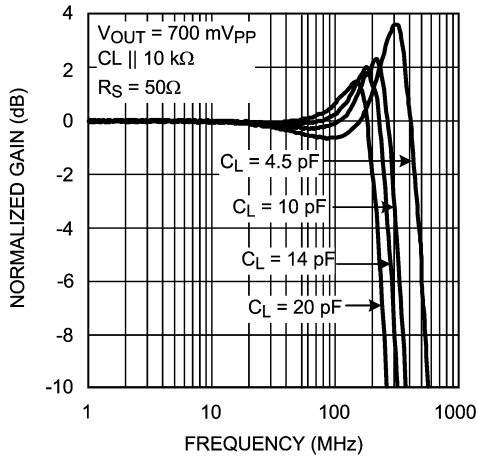
Note 11: The Machine Model ESD test is covered by specification EIAJ IC-121-1981. A 200 pF cap is charged to the specific voltage, then discharged directly into the IC with no external series resistor (resistance of discharge path must be under 50 Ω).

Note 12: Measure output levels of the other two undriven amplifiers relative to the driven amplifier to determine channel separation. Terminate the undriven amplifier inputs to simulate generator loading. Repeat test at $f_N = 10 \text{MHz}$ for $V_{SEP} 10 \text{MHz}$.

Note 13: Any three color bar signals can be used as test signals. The RGB outputs shall be used to calculate the amplitudes and phases of the chrominance results. These should fall within the limits specified.

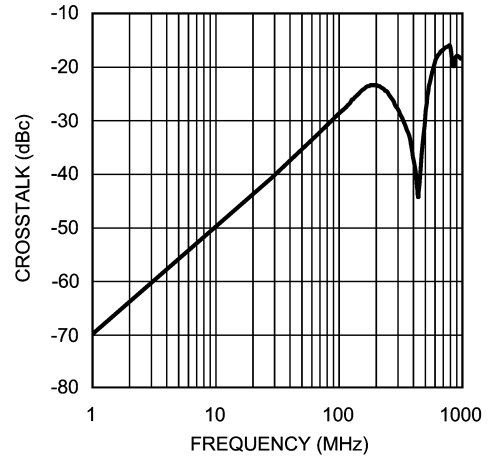
Typical Performance Characteristics Unless otherwise noted: $T_A = 25^\circ\text{C}$, $V_{CC} = +5.0\text{V}$, RGB Video_{IN} = 0.70, Y Video_{IN} = 0.7 V_{PP}, P_BP_R Video_{IN} = $\pm 350\text{ mV}$, $C_L = 8\text{ pF}$, Video Outputs = 0.7 V_{PP}. See (Note 7) for Min and Max parameters and (Note 6) for typicals.

Large Signal Frequency Response



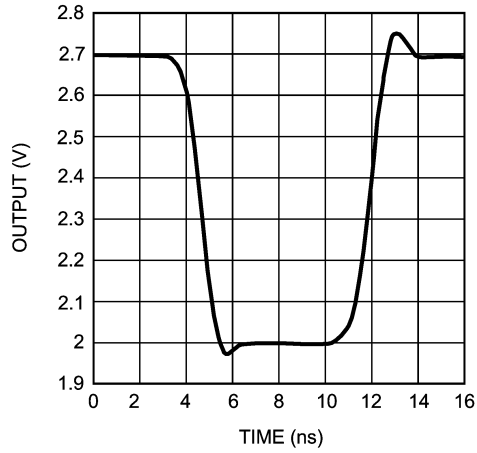
20151903

Crosstalk vs. Frequency



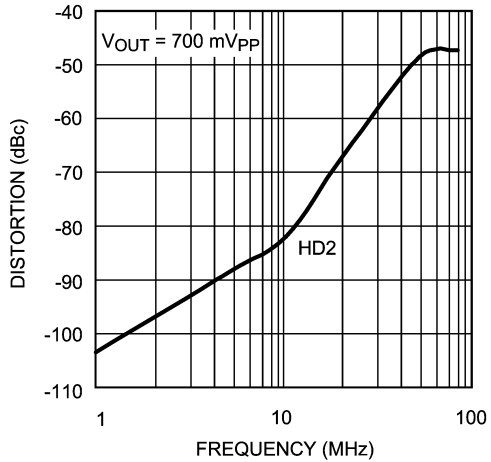
20151904

Pulse Response



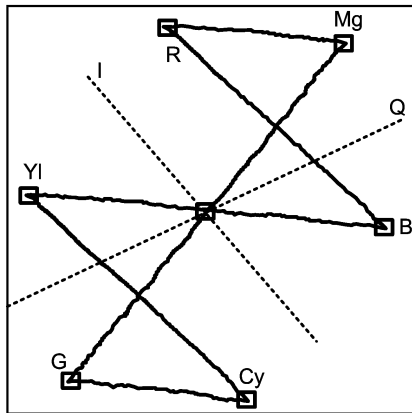
20151901

Harmonic Distortion vs. Frequency



20151902

720p Color Bar Vectorscope



20151906

Application Notes

GENERAL INFORMATION

The LMH1251 is a high-speed triple 2:1 video multiplexer with an integrated sync processor and color space converter. One input channel accepts standard RGBHV PC graphics video and the second input channel accepts $Y_{B}P_{R}$ component video. If the first input of the MUX is selected, the device will output the RGBHV video from the input with unity gain. If the second input of the MUX is selected, sync processing and color space conversion will be performed on the $Y_{B}P_{R}$ component signals to provide an equivalent RGBHV signal at the output.

$Y_{B}P_{R}$ to RGBHV PROCESSING

The LMH1251 is capable of processing 480i, 480p, 576i, 576p, 720p, 1080i, and 1080p/60 $Y_{B}P_{R}$ component video signals only. S-Video, composite NTSC, or composite PAL video will not be decoded by the LMH1251. For High Definition, 720p and 1080i video, the LMH1251 will decode the luminance and color difference signals into primary RGB signals according to the linear arithmetic formula specified in the EIA/CEA-770.3-C Standard for High Definition Analog Component TV. For Standard Definition video, the LMH1251 will perform the decoding according to the linear arithmetic formula specified in the EIA/CEA-770.2-C Standard for Standard Definition Analog Component TV. The advanced analog architecture that is employed to perform the color space conversion is precise to within 2.5% of amplitude & 1.5° of phase error on a vectorscope with a color bar test signal. This is illustrated with a vectorscope plot of a decoded color bar signal in the 720p format show in the Typical Performance Characteristics section.

Note that although 480i/576i component video is supported by the LMH1251, most PC Display Monitors cannot handle such line rates. Typically, only 480p, 576p, 720p, and 1080i/1080p are within the displayable line rate range of LCD and CRT monitors. Furthermore, the scaler in LCD monitor systems must include a de-interlacer for it to display interlaced video such as with 1080i.

Component Video Formats supported by the LMH1251

480i
480p
576i
576p
720p
1080i23/25/30
1080p50/59/60

AUTO/MANUAL FORMAT DETECTION

The LMH1251 can either automatically detect the input format of the component video source, or it can be put in a

manual mode where the MCU has the flexibility to specify which $Y_{B}P_{R}$ to RGBHV processing scheme for the device to apply depending on the input format. If a logic high is applied to Pin 23, the LMH1251 will be in the AUTO detection mode, which is typically recommended. In this mode, the device will appropriately use the correct $Y_{B}P_{R}$ to RGBHV processing scheme based on its input format detection. If a logic high is applied to Pin 23, the LMH1251 will be in the Manual detection mode. In this mode, the MCU must apply a logic low to Pin 22 if the processing scheme is for SD Video formats, and a logic high if the processing scheme is for HD Video formats.

Note that in the AUTO mode, Pin 22 becomes an output pin, and outputs a logic low if a SD video input is detected and a logic high if a HD video input is detected, as notification to the MCU.

MACROVISION COMPATIBILITY

The on-chip sync processor of the LMH1251 is fully compatible with DVD video sources which are embedded with Macrovision copyright protection. The LMH1251 will output Horizontal Sync pulses with consistent periodicity even during the "Macrovision Sync" pulse period.

POWER SAVE MODE

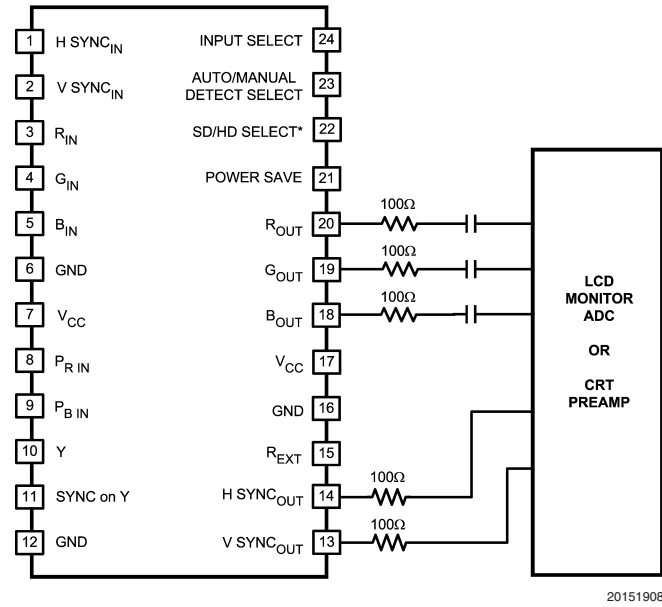
The LMH1251 is equipped with a power saving mode which is controlled by Pin 21. This pin is a logic level input. The device will enter a low power mode when the power save pin is applied with a logic high by the MCU. Under these conditions, the IC reduces its current consumption to a minimum as specified in the Electrical Characteristics section. However, the sync processor and switch will always remain active. During power save mode, the RGB video outputs are held to the blank level, while the sync signals are allowed to continue to be processed and/or passed through. Based on the absence or presence of sync signals at the output of the LMH1251, the MCU can determine whether to bring the system to a low power consumption state.

OUTPUT DRIVE CHARACTERISTICS

The LMH1251 is designed to interface with an ADC or preamplifier through an AC coupling capacitor as shown below in *Figure 1*. The RGB outputs of the LMH1251 are 700 mV_{PP} video signals with the black level at approximately 2V, which is the chip's internal voltage reference level. The H Sync and V Sync outputs are CMOS logic outputs that swing from 0 to 5V. These RGBHV outputs do not have any current drive capability and should not have any load on them. The PCB trace length at the output should be kept as short as possible to minimize resistive and capacitive loading.

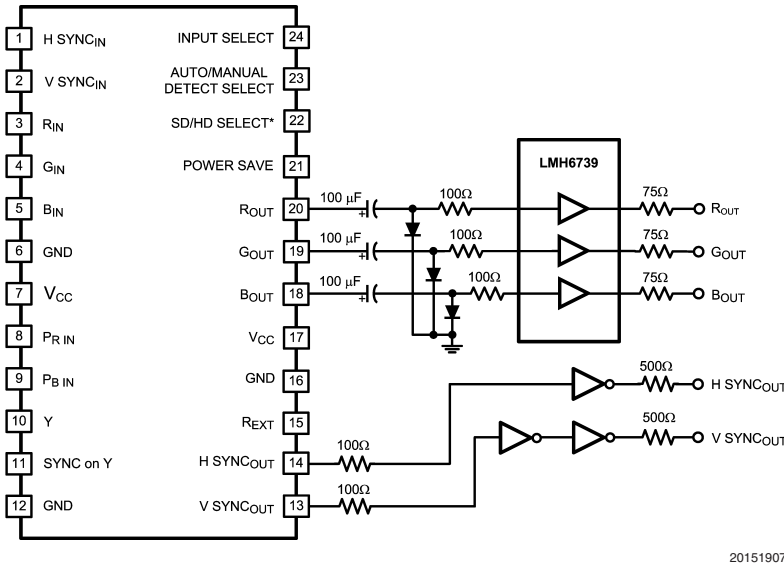
If the LMH1251 is to be designed into a stand-alone converter box application, the configuration in *Figure 2* is recommended. The LMH6739, triple op amp with an internally set gain of 2, can be used to drive RGB video over the VGA cable out to a display monitor. Logic inverters are used for driving the sync signals over the VGA cable.

Application Notes (Continued)



20151908

FIGURE 1. Typical LMH1251 Application



20151907

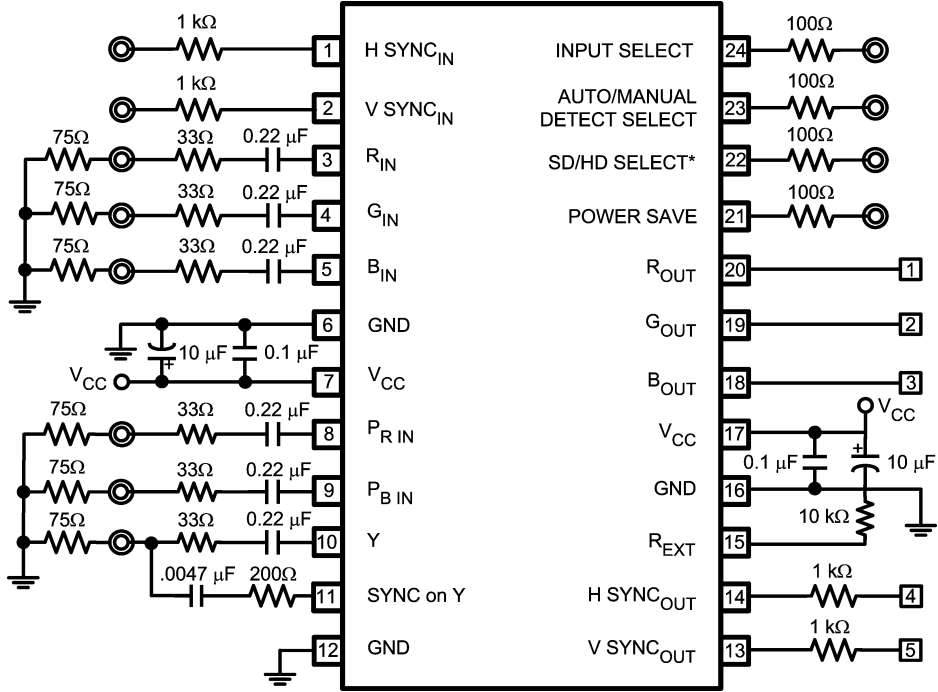
FIGURE 2. Simplified Application Diagram for Driving a VGA Cable

LAYOUT CONSIDERATIONS

The most important point to note regarding the layout of the LMH1251 on a PCB is that the trace length between the output pins of the LMH1251 and the input AC coupling capacitors of the next stage ADC or preamplifier must be as minimal as possible. The trace lengths of the H Sync and V Sync outputs should also be minimized, as the capacitive loading on these outputs must not exceed 6 pF. For long

signal paths leading up to the input of the LMH1251, controlled impedance lines should be used, along with impedance matching elements. Bypass capacitors should be placed as close as possible to the supply pins of the device. The larger electrolytic bypass capacitor can be located farther from the device. The 10K external resistor should also be placed as close as possible to the R_EXT pin.

Test Circuit

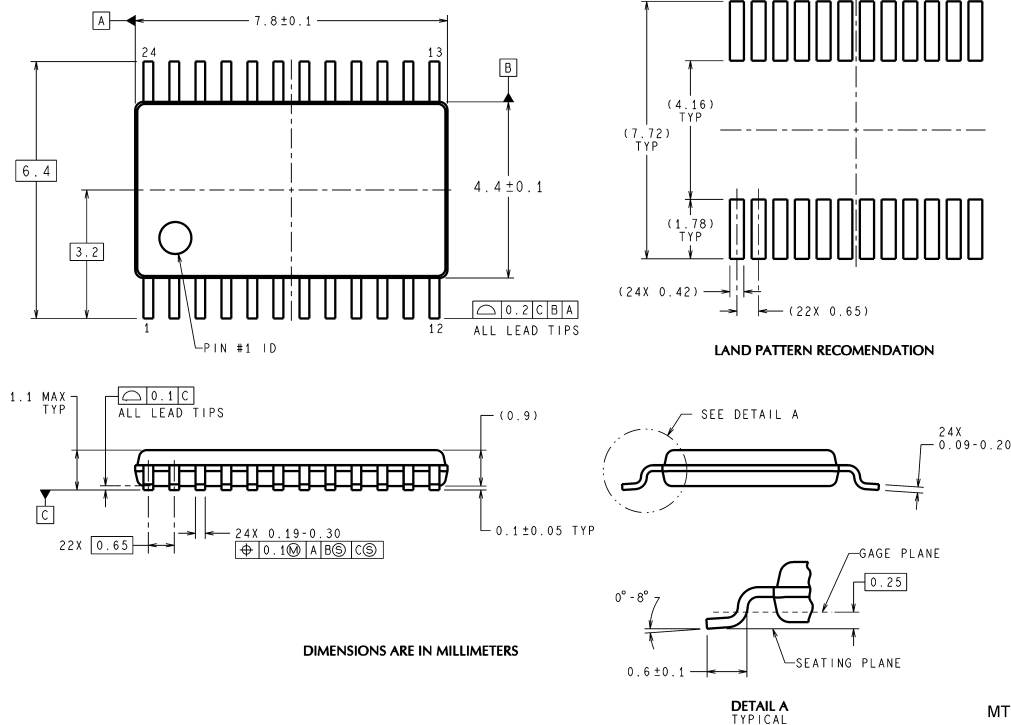


20151928

FIGURE 3. Test Circuit

Physical Dimensions inches (millimeters)

unless otherwise noted



MTC24 (Rev E)

National does not assume any responsibility for use of any circuitry described, no circuit patent licenses are implied and National reserves the right at any time without notice to change said circuitry and specifications.

For the most current product information visit us at www.national.com.

LIFE SUPPORT POLICY

NATIONAL'S PRODUCTS ARE NOT AUTHORIZED FOR USE AS CRITICAL COMPONENTS IN LIFE SUPPORT DEVICES OR SYSTEMS WITHOUT THE EXPRESS WRITTEN APPROVAL OF THE PRESIDENT AND GENERAL COUNSEL OF NATIONAL SEMICONDUCTOR CORPORATION. As used herein:

1. Life support devices or systems are devices or systems which, (a) are intended for surgical implant into the body, or (b) support or sustain life, and whose failure to perform when properly used in accordance with instructions for use provided in the labeling, can be reasonably expected to result in a significant injury to the user.
2. A critical component is any component of a life support device or system whose failure to perform can be reasonably expected to cause the failure of the life support device or system, or to affect its safety or effectiveness.

BANNED SUBSTANCE COMPLIANCE

National Semiconductor manufactures products and uses packing materials that meet the provisions of the Customer Products Stewardship Specification (CSP-9-111C2) and the Banned Substances and Materials of Interest Specification (CSP-9-111S2) and contain no "Banned Substances" as defined in CSP-9-111S2.

Leadfree products are RoHS compliant.



National Semiconductor
Americas Customer
Support Center
Email: new.feedback@nsc.com
Tel: 1-800-272-9959

National Semiconductor
Europe Customer Support Center
Fax: +49 (0) 180-530 85 86
Email: europe.support@nsc.com
Deutsch Tel: +49 (0) 69 9508 6208
English Tel: +44 (0) 870 24 0 2171
Français Tel: +33 (0) 1 41 91 8790

National Semiconductor
Asia Pacific Customer
Support Center
Email: ap.support@nsc.com

National Semiconductor
Japan Customer Support Center
Fax: 81-3-5639-7507
Email: jpn.feedback@nsc.com
Tel: 81-3-5639-7560