



深圳市拓普微科技开发有限公司

SHENZHEN TOPWAY TECHNOLOGY CO., LTD.

LMT035DNAFWU-1

LCD Module User Manual

Prepared by: Yang Date: 2013-03-04	Checked by: Date:	Approved by: Date:
---	----------------------------------	-----------------------------------

Rev.	Descriptions	Release Date
0.1	Preliminary New release	2007-09-29
0.2	Typing correction on General Specification	2010-08-10
0.3	Update Cover Sheet and General Specification	2011-03-22
0.4	Add 7.3 Data Transaction Timing	2013-03-04

Table of Content

1. APPLICATIONS	3
2. General Specification	3
3. Block Diagram	3
4. Terminal Function (Input Terminal)	4
5. Absolute Maximum Ratings	5
6. Electrical Characteristics	5
6.1 DC Characteristics	5
6.2 LED Backlight Circuit Characteristics.....	5
7. AC Characteristics	6
7.1 Pixel Timing.....	6
7.2 SPI Interface Timing.....	7
7.3 Optical Characteristics	9
8. Precautions of using LCD Modules	10
9. Appendix A <Inspection items and criteria for appearance defect>	11

1. APPLICATIONS

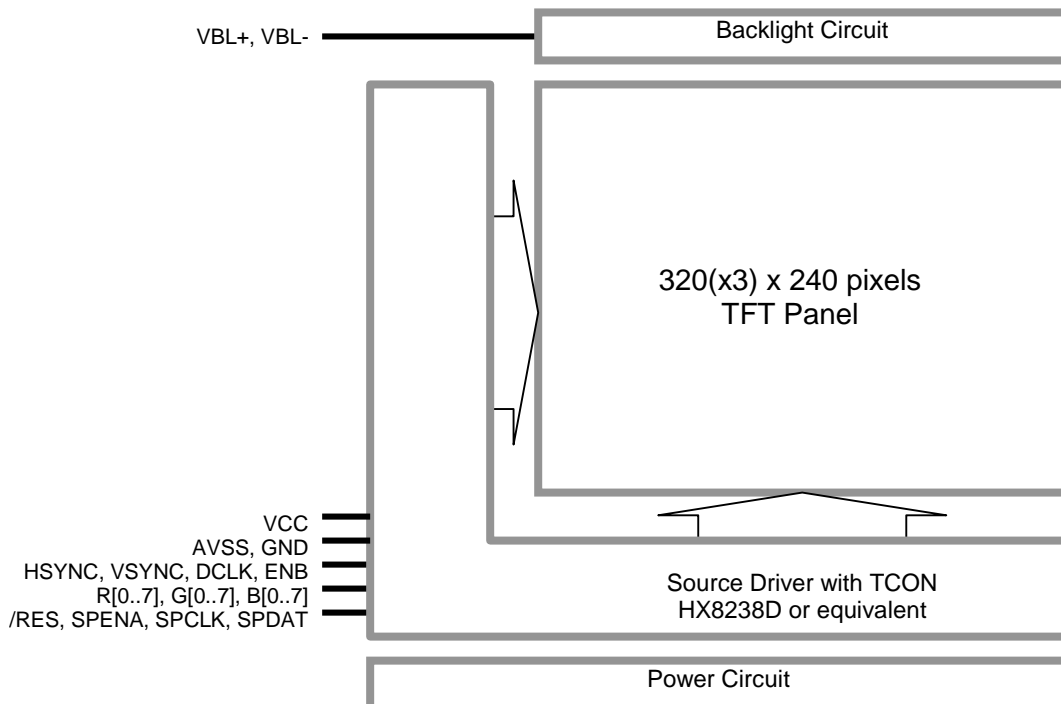
This Module is designed for potable DVD, GPS car TV & PMP(portable multimedia player) application which require high quality flat panel displays. It is also a good substitute for many outmoded CSTN module in the industrial application.

This product is composed of a TFT-LCD panel, driver ICs, FPC and LED backlight unit.

2. General Specification

Signal Interface :	Digital 24-bits RGB
Display Technology :	a-Si TFT active matrix
Display Mode :	TN Type Full Color / Transmissive / Normal White
Screen Size(Diagonal) :	3.5"
Outline Dimension :	76.9 x 63.9 x 3.7 (mm) (see attached drawing for details)
Active Area :	70.08 x 52.56 (mm)
Number of dots :	320 x 3 (RGB) x 240
Pixel Pitch :	0.219 x 0.219 (mm)
Pixel Configuration :	RGB Stripe
Backlight :	LED
Surface Treatment :	Anti-Glare Treatment
Viewing Direction :	12 o'clock
Operating Temperature :	-20 ~ +70°C
Storage Temperature :	-30 ~ +80°C

3. Block Diagram



4. Terminal Function (Input Terminal)

Pin No.	Pin Name	IO	Descriptions
1	VBL-	Power	Negative Backlight Power Supply
2	VBL-		
3	VBL+		
4	VBL+		
5	NC	-	No Connection
:	:		
7	NC		
8	/RES	Input	Hardware Reset
9	SPENA	Input	Serial port Enable (*1)
10	SPCLK	Input	Serial port clock (*1)
11	SPDAT	Input	Serial port Data input (*1)
12	B0	Input	8bit Data for Blue
:	:		
19	B7		
20	G0	Input	8bit Data for Green
:	:		
27	G7		
28	R0	Input	8bit Data for Red
:	:		
35	R7		
36	HSYNC	Input	Horizontal Sync Input
37	VSYNC	Input	Vertical Sync Input
38	DCLK	Input	Clock Signal for RGB data Latching at the rising edge
39	NC	-	No Connection
40	NC		
41	VCC		
42	VCC	Power	Digital Power Supply
43	NC		
:	:		
51	NC	-	No connection
52	ENB		
53	GND		
54	AVSS	Power	Power GND (0V)

Note:

*1 The SPI terminal is for Gamma and internal configuration.

*2 For digital RGB input data format, both SYNC mode and DE+SYNC mode are supported.
If ENB signal is fixed low, SYNC mode is used. Otherwise, DE+SYNC is used.

5. Absolute Maximum Ratings

GND, V_{SS}=0V, T_{OP}=25°C

Items	Symbol	Min.	Max.	Unit	Condition
Supply Voltage for Source Driver	V _{CC}	-0.3	+4.0	V	V _{SS} = 0V
Digital Input Voltage	V _{IN}	-0.3	V _{DD} +0.3	V	V _{SS} = 0V
Operating Temperature	T _{OP}	-20	70	°C	No Condensation
Storage Temperature	T _{ST}	-30	80	°C	No Condensation

Note:

- *1. This rating applies to all parts of the module. And should not be exceeded.
- *2. Maximum wet-bulb temperature is 39 . Condensation of dew must be avoided.
- *3. The operating temperature only guarantees operation of the circuit. The contrast, response speed, and the other specification related to electro-optical display quality is determined at the room temperature, Ta=25.
- *4. Ambient temperature when the backlight is lit (reference value)
- *5 Any Stresses exceeding the Absolute Maximum Ratings may cause substantial damage to the device. Functional operation of this device at other conditions beyond those listed in the specification is not implied and prolonged exposure to extreme conditions may affect device reliability.

6. Electrical Characteristics

6.1 DC Characteristics

GND, V_{SS}=0V, V_{CC}=3.3V, T_{OP}=25°C

Items	Symbol	MIN.	TYP.	MAX.	Unit
Digital Supply Voltage	V _{CC}	3.0	3.3	3.6	V
Digital Operating Current	I _{CC}	-	7.5	-	mA
Signal Input Voltage High	V _{SIG-H}	0.8xV _{CC}	-	V _{CC}	V
Signal Input Voltage Low	V _{SIG-L}	0	-	0.2xV _{CC}	V
Frame Frequency	F _{FRAME}	-	60	-	Hz
Dot Data Clock	D _{CLK}	-	6.5	-	MHz

Note:

- *1. V_{COMH}& V_{COML} is for adjusting the color with gamma data

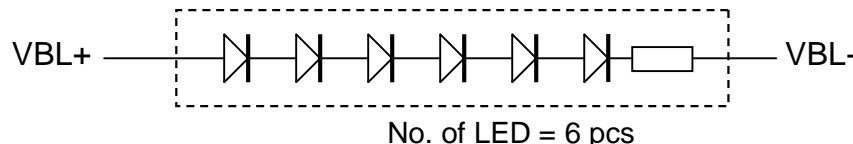
6.2 LED Backlight Circuit Characteristics

V_{BL-}= 0V, I_{fBL+}=20mA, T_{OP}=25°C

Items	Symbol	MIN.	TYP.	MAX.	Unit	Note
Forward Voltage	V _{fBLA}	-	20.0	-	V	
Forward Current	I _{fBLA}	-	20.0	22.0	mA	
Life Time	-	-	50000	-	hr	

Cautions:

Exceeding the recommended driving current could cause substantial damage to the backlight and shorten its lifetime.



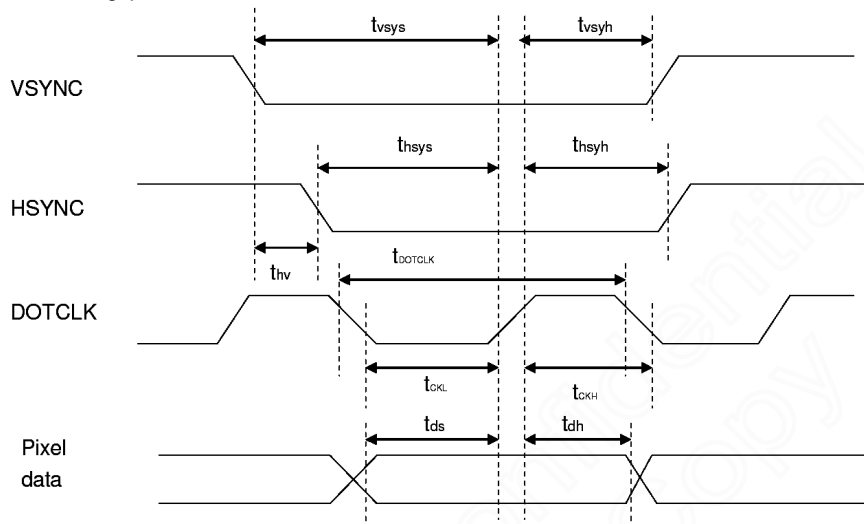
7. AC Characteristics

7.1 Pixel Timing

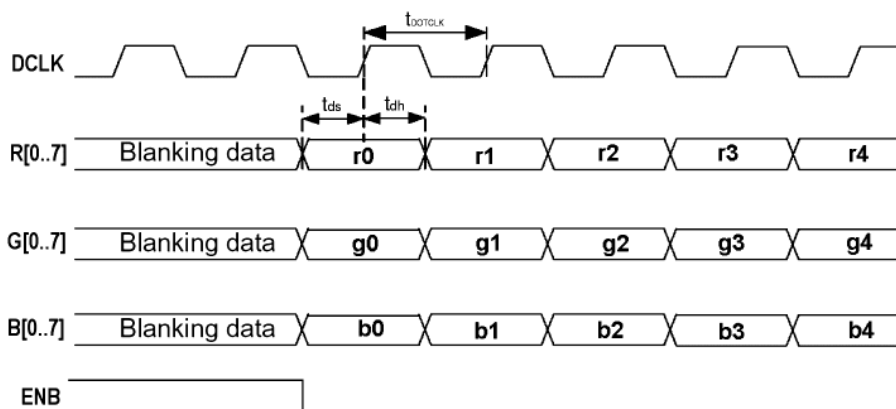
GND, V_{SS}=0V, V_{CC}=3.3V, T_{OP}=25°C

Item	Symbol	MIN.		TYP.		MAX.		Unit
		24bit	8bit	24bit	8bit	24bit	8bit	
DOTCLK Freq	tdotclk	-	-	6.5	19.5	10	30	MHz
DOTCLK Period	tdotclk	100	33.3	154	51.3	-	-	ns
Vertical Sync Setup Time	tvsys	20	10	-	-	-	-	ns
Vertical Sync Hold Time	tvsyh	20	10	-	-	-	-	ns
Horizontal Sync Setup Time	thsys	20	10	-	-	-	-	ns
Horizontal Sync Hold Time	thsyh	20	10	-	-	-	-	ns
Phase difference of Sync Signal(falling edge)	thv	-		-		240		tdotclk
DOTCLK Low Period	tclk	50	15	-	-	-	-	ns
DOTCLK High Period	tckh	50	15	-	-	-	-	ns
Data Setup Time	tsutdh	12	10	-	-	-	-	ns
Data Hold Time	thd	12	10	-	-	-	-	ns
Reset Pulse width	tres	10		-		-		ns

Note: For the details of the timing, please see the Driver IC data sheet.



HSYNC / VSYNC / DCLK Timing Diagram



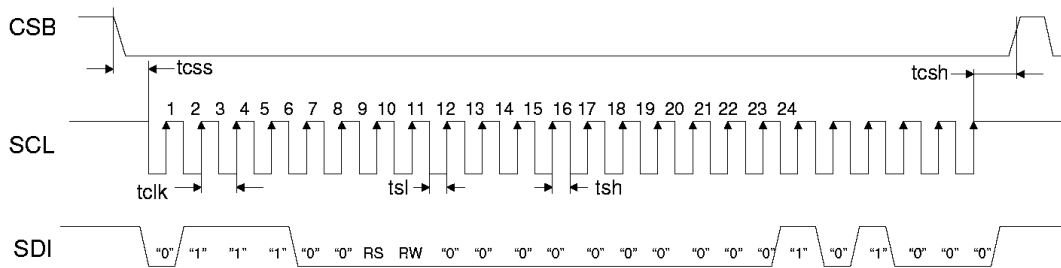
RGB / DCLK / ENB Timing Diagram

7.2 SPI Interface Timing

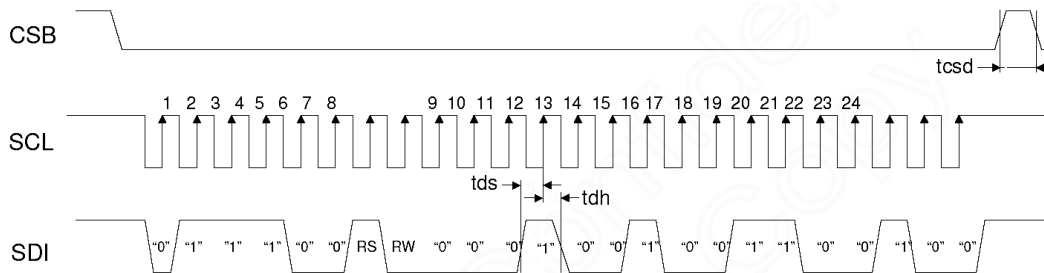
GND, V_{SS}=0V, V_{CC}=3.3V, T_{OP}=25°C

Item	Symbol	MIN.	TYP.	MAX.	Unit
Serial Clock Freq	fclk	-	-	20	MHz
Serial Clock Cycle Time	tclk	50	-	-	ns
Clock Low Width	tsl	25	-	-	ns
Clock High Width	tsh	25	-	-	ns
Chip Select Setup Time	tcss	0	-	-	ns
Chip Select Hold Time	tsch	10	-	-	ns
Chip Select High Delay Time	tscd	20	-	-	ns
Data Setup Time	tds	5	-	-	ns
Data Hold Time	tdh	10	-	-	ns

Note: the example below is transferring "1264h" into register "28h"



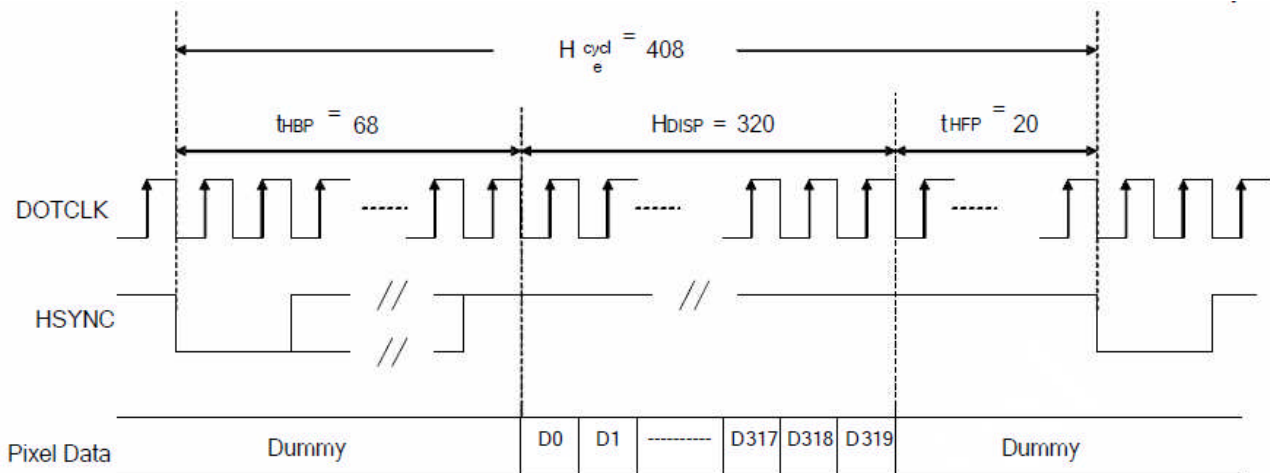
SPI Data Transfer (1st data)



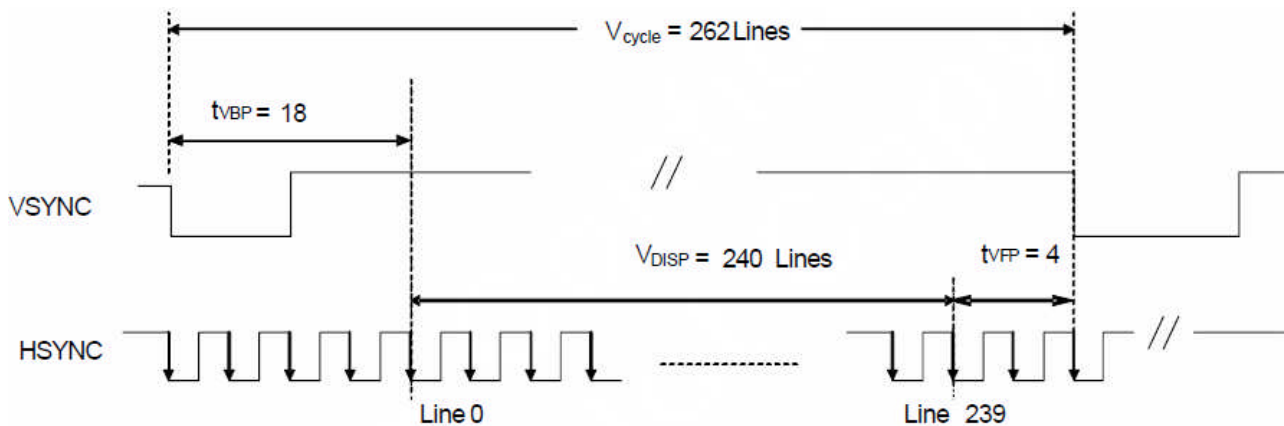
SPI Data Transfer (2nd data)

7.3 Data Transaction Timing

Characteristics	Symbol	MIN.	TYP.	MAX.	Unit
DOTCLK Frequency	fDOTCLK	-	6.5	10	MHz
DOTCLK Period	tDOTCLK	100	154	-	ns
Vertical Frequency (Refresh)	fV	-	60	75	Hz
Horizontal Back Porch	tHBP	-	68	-	tDOTCLK
Horizontal Front Porch	tHFP	-	20	-	tDOTCLK
Horizontal Display Area	HDISP	-	320	-	tDOTCLK
Horizontal Cycle	Hcycle	-	408	450	tDOTCLK
Vertical Back Porch	tVBP	-	18	-	Lines
Vertical Front Porch	tVFP	-	4	-	Lines
VS pulse width	tWV	-	4	-	Lines
Vertical Cycle (NTSC)	Vcycle	-	262	350	Lines



Horizontal Data Transaction Timing



Vertical Data Transaction Timing

8. Optical Characteristics

$I_f=20mA, V_L=19.2V, T_a=25C$

Item	Symbol	MIN.	TYP.	MAX.	UNIT	Note.
Contrast Ratio	CR	(250)	(300)	-		*1, $\theta=0$
Luminance	Y_L	(200)	(250)	-	Cd/m ²	$\theta=0$
Uniformity	L_U	(70)	(75)	-	%	*4, $\theta=0$
Response Time Rise	T_R	-	(10)	(20)	ms	*3, $\theta=0$
Response Time Fall	T_F	-	(15)	(30)	ms	*3, $\theta=0$
Viewing Angle	θ_l	(50)	(60)	-	deg	*2
Viewing Angle	θ_r	(50)	(60)	-	deg	*2
Viewing Angle	θ_u	(40)	(50)	-	deg	*2
Viewing Angle	θ_d	(40)	(60)	-	deg	*2
Color Chromaticity (White)	X	-	0.30	-	-	
	Y	-	0.32	-	-	
Color Chromaticity (Red)	X	-	0.62	-	-	
	Y	-	0.36	-	-	
Color Chromaticity (Green)	X	-	0.33	-	-	
	Y	-	0.59	-	-	
Color Chromaticity (Blue)	X	-	0.14	-	-	
	Y	-	0.09	-	-	

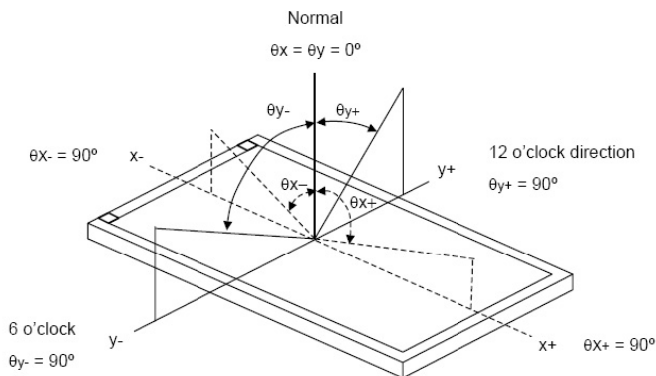
Note:

*1. Definition of Contrast Ratio

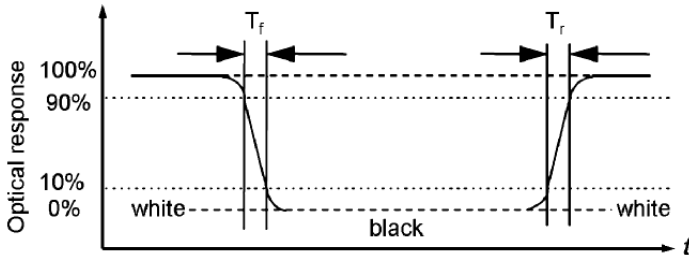
The contrast ratio could be calculate by the following expression:

Contrast Ratio (CR) = Luminanc with all pixels white / Luminance with all pixels black

*2 Definition of Viewing Angle



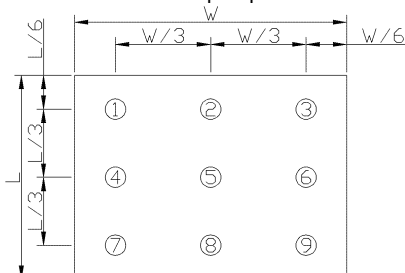
*3 Definition of response time



Definition of Luminance Uniformity

Luminance uniformity (Lu)=

Min. Luminance form pt1~pt9 / Max Luminance form Pt1~pt9



9. Precautions of using LCD Modules

Mounting

- Mounting must use holes arranged in four corners or four sides.
- The mounting structure so provide even force on to LCD module. Uneven force (ex. Twisted stress) should not applied to the module. And the case on which a module is mounted should have sufficient strength so that external force is not transmitted directly to the module.
- It is suggested to attach a transparent protective plate to the surface in order to protect the polarizer. It should have sufficient strength in order to the resist external force.
- The housing should adopt radiation structure to satisfy the temperature specification.
- Acetic acid type and chlorine type materials for the cover case are not desirable because the former generates corrosive gas of attacking the polarizer at high temperature and the latter causes circuit break by electro-chemical reaction.
- Do not touch, push or rub the exposed polarizers with glass, tweezers or anything harder than HB pencil lead. Never rub with dust clothes with chemical treatment. Do not touch the surface of polarizer for bare hand or greasy cloth.(Some cosmetics deteriorate the polarizer.)
- When the surface becomes dusty, please wipe gently with absorbent cotton or other soft materials like chamois soaks with petroleum benzine. Normal-hexane is recommended for cleaning the adhesives used to attach front / rear polarizers. Do not use acetone, toluene and alcohol because they cause chemical damage to the polarizer.
- Wipe off saliva or water drops as soon as possible. Their long time contact with polarizer

Operating

- The spike noise causes the mis-operation of circuits. It should be within the $\pm 200\text{mV}$ level (Over and under shoot voltage)
- Response time depends on the temperature.(In lower temperature, it becomes longer.)
- Brightness depends on the temperature. (In lower temperature, it becomes lower.) And in lower temperature, response time(required time that brightness is stable after turned on) becomes longer.
- Be careful for condensation at sudden temperature change. Condensation makes damage to polarizer or electrical contacted parts. And after fading condensation, smear or spot will occur.
- When fixed patterns are displayed for a long time, remnant image is likely to occur.
- Module has high frequency circuits. Sufficient suppression to the electromagnetic interference shall be done by system manufacturers. Grounding and shielding methods may be important to minimized the interference

Electrostatic Discharge Control

Since a module is composed of electronic circuits, it is not strong to electrostatic discharge. Make certain that treatment persons are connected to ground through wrist band etc. And don't touch interface pin directly.

Strong Light Exposure

Strong light exposure causes degradation of polarizer and color filter.

Storage

When storing modules as spares for a long time, the following precautions are necessary.

- Store them in a dark place. Do not expose the module to sunlight or fluorescent light. Keep the temperature between 5°C and 35°C at normal humidity.
- The polarizer surface should not come in contact with any other object. It is recommended that they be stored in the container in which they were shipped.

Protection Film

- When the protection film is peeled off, static electricity is generated between the film and polarizer. This should be peeled off slowly and carefully by people who are electrically grounded and with well ion-blown equipment or in such a condition, etc.
- The protection film is attached to the polarizer with a small amount of glue. If some stress is applied to rub the protection film against the polarizer during the time you peel off the film, the glue is apt to be main on the polarizer. Please carefully peel off the protection film without rubbing it against the polarizer.
- When the module with protection film attached is stored for a long time, sometimes there remains a very small amount of glue still on the polarizer after the protection film is peeled off.
- You can remove the glue easily. When the glue remains on the polarizer surface or its vestige is recognized, please wipe them off with absorbent cotton waste or other soft material like chamois soaked with normal-hexane.

Transportation

The LCD modules should be no falling and violent shocking during transportation, and also should avoid excessive press, water, damp and sunshine.

10. Appendix A <Inspection items and criteria for appearance defect>

Items	Criteria			
Open Segment or Common	Not permitted			
Short	Not permitted			
Wrong Viewing Angle	Not permitted			
Decliners	Not permitted			
Contrast Ration Uneven	According to the limit specimen			
Crosstalk	According to the limit specimen			
White spots	X>1 pixel	A-area	Not permitted	Max 6 spots allowed
		B-area	Max. 1 allowed	
	1/2 pixel<X≤1 pixel	A-area	Not permitted	
		B-area	Max. 2 allowed	
	X≤1/2 pixel	A-area	Max. 1 allowed	
		B-area	Max. 4 allowed	
Black Sport	X>1 pixel	A-area	Not permitted	
		B-area	Max. 2 allowed	
	X≤1/2 pixel	A-area	Max. 1 allowed	
		B-area	Max. 4 allowed	
Line Defect	Apparent vertical horizontal line defects are not permitted			

Note:

1. On Pixel include 3 dots (RedDot + GreenDot + BlueDot)
2. Definition of Panel "A-area" and "B-area"

