



LMT104DNEFWU-NLA

LCD Module User Manual

Prepared by: Sun Ouyang Date: 2016-09-10	Checked by: Date:	Approved by: Date:
---	----------------------------------	-----------------------------------

Rev.	Descriptions	Release Date
0.1	New release	2016-09-10

Table of Content

1. General Specification	3
2. Block Diagram.....	3
3. Terminal Function.....	4
3.1 K1 Terminal(DVI Right angle connector).....	4
4. Absolute Maximum Ratings	4
5. Electrical Characteristics	5
5.1 DC Characteristics	5
5.2 DC Characteristics(LVDS)	5
5.3 POWER ON/OFF SEQUENCE	5
6. AC Characteristics.....	6
6.1 AC Characteristics(LVDS).....	6
6.2 AC Characteristics(TFT)	7
7. Optical Characteristics	8
8. Precautions for Use of LCD Modules	9
8.1 Handling Precautions	9
8.2 Storage precautions	9
8.3 Transportation Precautions	9

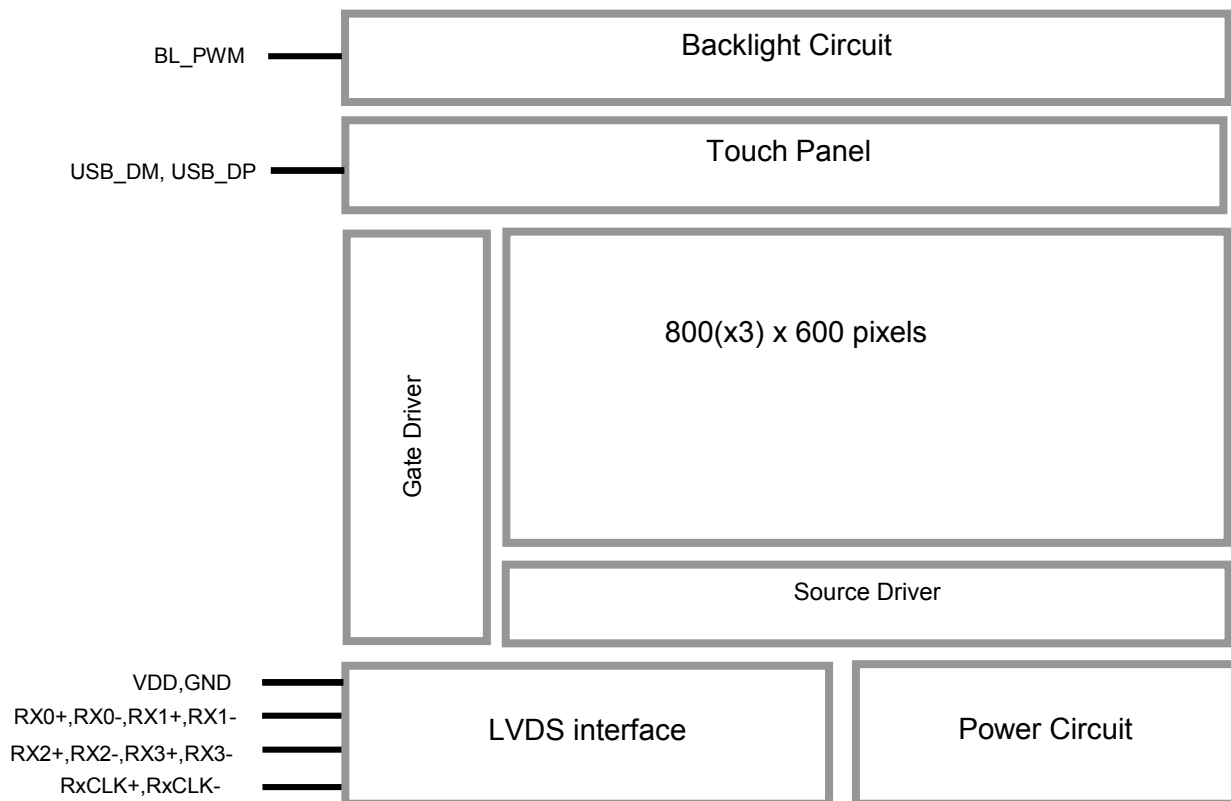
1. General Specification

Signal Interface :	LVDS (JEIDA 24 bits)
Display Mode :	Transmissive with Normally White
Screen Size :	10.4 inch
Outline Dimension :	247.8 x 205.6 x 23.4(mm) (see outline drawing for details)
Active Area :	211.20x 158.40(mm)
Number of dots :	800x 3 (RGB) x 600
Dot Pitch :	0.264x0.264 (mm)
Pixel Configuration :	R.G.B. Vertical Stripe
Backlight :	White LED
Viewing Direction :	6 o'clock (Gray scale Inversion) (*1) 12 o'clock (*2)
Operating Temperature :	-20 ~ +70°C
Storage Temperature :	-30 ~ +80°C

Note:

- *1. For saturated color display content (eg. pure-red, pure-green, pure-blue or pure-colors -combinations).
- *2. For “color scales” display content.
- *3. Color tone may slightly change by temperature and driving condition.

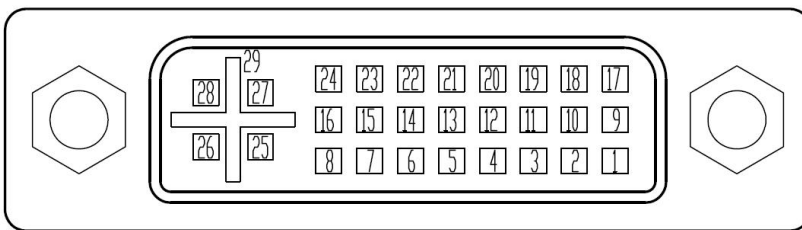
2. Block Diagram



3. Terminal Function

3.1 K1 Terminal(DVI Right angle connector)

Pin No.	Pin Name	IO	Descriptions
1	RX2-	Input	LVDS receiver negative signal channel 2
2	RX2+	Input	LVDS receiver positive signal channel 2
3	GND	Power	Ground
4	BL_PWM	Input	Backlight dimming control(High actives) PWM may be used to adjust the output brightness
5	NC	-	No connection
6	VDD	Power	Positive Power Supply(5.0V)
7	VDD	Power	Positive Power Supply(5.0V)
8	VDD	Power	Positive Power Supply(5.0V)
9	RX1-	Input	LVDS receiver negative signal channel 1
10	RX1+	Input	LVDS receiver positive signal channel 1
11	GND	Power	Ground
12	RX3-	Input	LVDS receiver negative signal channel 3
13	RX3+	Input	LVDS receiver positive signal channel 3
14	VDD	Power	Positive Power Supply(5.0V)
15	GND	Power	Ground
16	GND	Power	Ground
17	RX0-	Input	LVDS receiver negative signal channel 0
18	RX0+	Input	LVDS receiver positive signal channel 0
19	GND	Power	Ground
20	USB_DM	I/O	USB D- signal
21	USB_DP	I/O	USB D+ signal
22	GND	Power	Ground
23	RXCLK+	Input	LVDS receiver positive signal clock
24	RXCLK-	Input	LVDS receiver negative signal clock
25	VDD	Power	Positive Power Supply(5.0V)
26	VDD	Power	Positive Power Supply(5.0V)
27	NC	-	No connection
28	NC	-	No connection
29	GND	Power	Ground



4. Absolute Maximum Ratings

Items	Symbol	Min.	Max.	Unit	Condition
Power Supply voltage	VDD	-0.3	5.5	V	
Operating Temperature	T _{OP}	-20	70	°C	No Condensation
Storage Temperature	T _{ST}	-30	80	°C	No Condensation

Note:

- *1. This rating applies to all parts of the module. And should not be exceeded.
- *2. The operating temperature only guarantees operation of the circuit. The contrast, response speed, and the other specification related to electro-optical display quality is determined at the room temperature, T_{OP}=25°C
- *3. Any Stresses exceeding the Absolute Maximum Ratings may cause substantial damage to the device. Functional operation of this device at other conditions beyond those listed in the specification is not implied and prolonged exposure to extreme conditions may affect device reliability.

5. Electrical Characteristics

5.1 DC Characteristics

VDD=5.0V,GND=0V,T_a=25°C

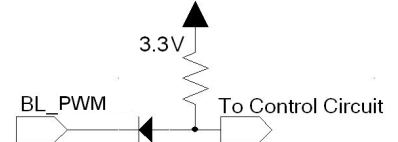
Items	Symbol	MIN.	TYP.	MAX.	Unit	Note
Supply Voltage	VDD	4.7	5.0	5.3	V	
VDD Power Consumption	I _{dd}	--	0.79	1.58	A	*1
Input High Voltage	V _{IH}	3.0	3.3	-	V	BL_PWM
Input Low Voltage	V _{IL}	GND	-	0.3	V	BL_PWM

Note1:

*1. BL_PWM=Hi;

*2. Recommended BL_PWM PWM Freq. is 3kHz.

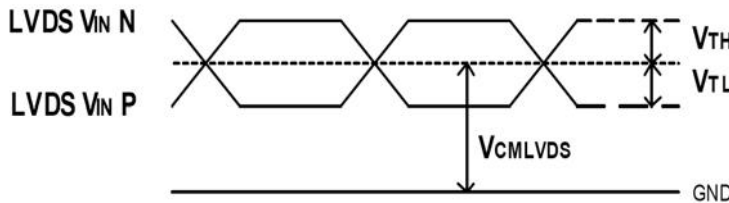
*3. Terminal circuit.



5.2 DC Characteristics(LVDS)

VDD=5.0V,GND=0V,T_a=25°C

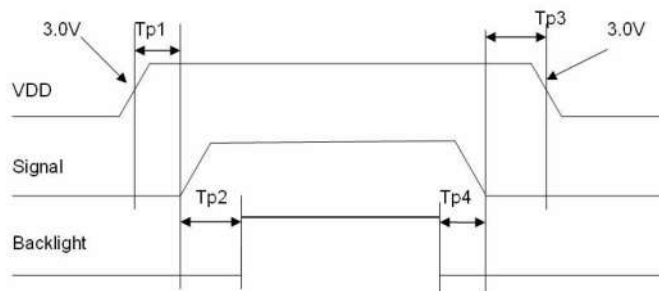
Items	Symbol	MIN.	TYP.	MAX.	Unit	Note
Differential Input High Threshold	V _{TH}	-	-	100	mV	
Differential Input Low Threshold	V _{TL}	-100	-	-	mV	
Input Current	I _{IN}			±10	uA	
Differential Input common Mode voltage	V _{CMLVDS}	1.65	-	2.1	V	



LVDS DC timing diagram

5.3 POWER ON/OFF SEQUENCE

Parameter	Symbol	MIN.	TYP.	MAX.	Unit	Note
VDD 5.0V to signal starting	Tp1	0	-	50	ms	
Signal starting to backlight on	Tp2	150	-	-	ms	
Signal off to VDD 3.0V	Tp3	0	-	50	ms	
Backlight off to signal off	Tp4	150	-	-	ms	



Interface Power On/Off Sequence

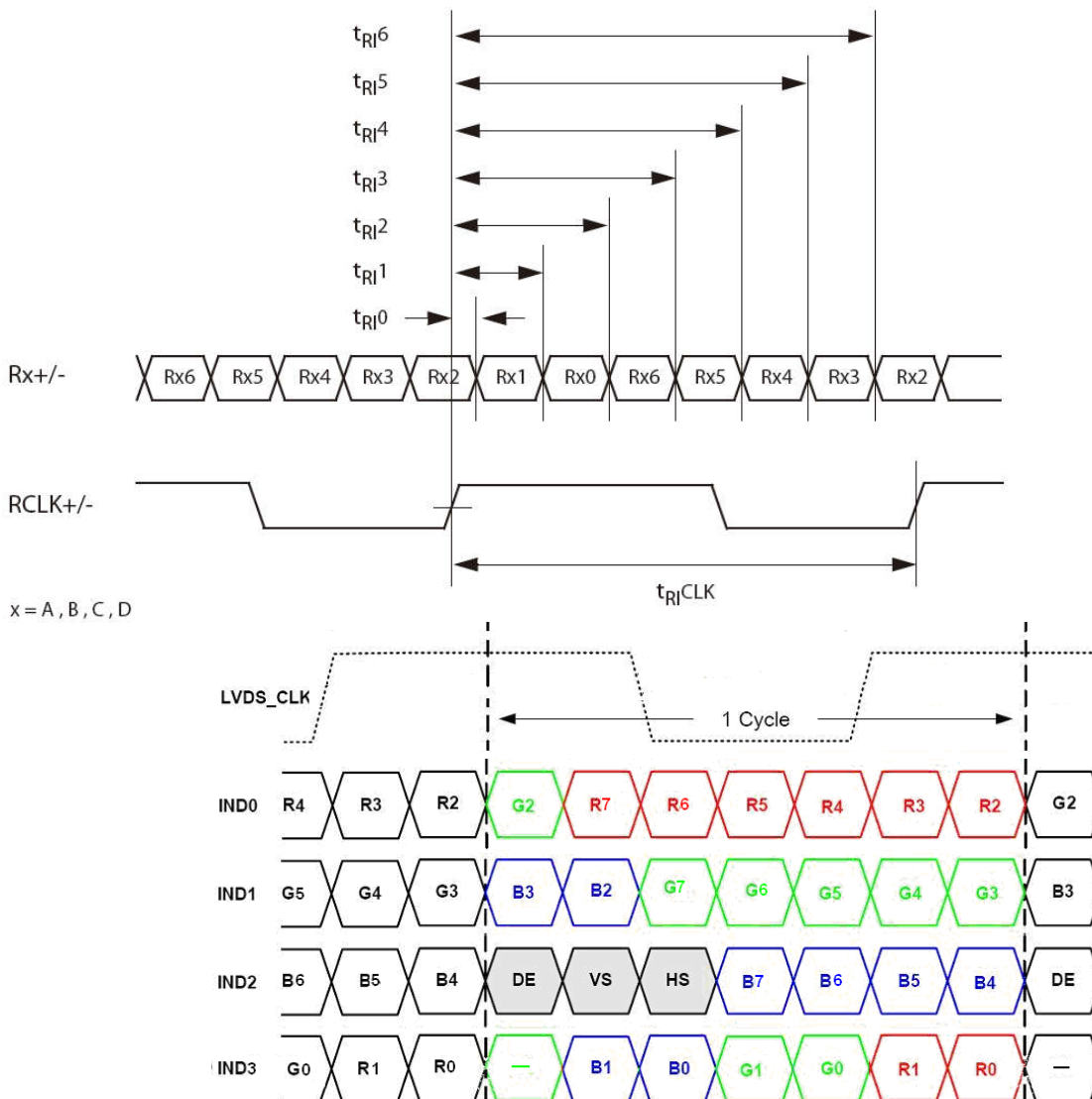
6. AC Characteristics

6.1 AC Characteristics(LVDS)

VDD=5.0V,GND=0V,T_a=25°C

Item	Symbol	MIN.	TYP.	MAX.	Unit	Condition
Input CLK period	t _{RI} CLK	8.9	-	50	ns	
Input Data Position 0 (t _{RI} CLK = 8.9ns)	t _{RI} 0	-0.3	-	+0.3	ns	
Input Data Position 1 (t _{RI} CLK = 8.9ns)	t _{RI} 1	t _{RI} CLK/7-0.3	t _{RI} CLK/7	t _{RI} CLK/7+0.3	ns	
Input Data Position 2 (t _{RI} CLK = 8.9ns)	t _{RI} 2	2t _{RI} CLK/7-0.3	2t _{RI} CLK/7	2t _{RI} CLK/7+0.3	ns	
Input Data Position 3 (t _{RI} CLK = 8.9ns)	t _{RI} 3	3t _{RI} CLK/7-0.3	3t _{RI} CLK/7	3t _{RI} CLK/7+0.3	ns	
Input Data Position 4 (t _{RI} CLK = 8.9ns)	t _{RI} 4	4t _{RI} CLK/7-0.3	4t _{RI} CLK/7	4t _{RI} CLK/7+0.3	ns	
Input Data Position 5 (t _{RI} CLK = 8.9ns)	t _{RI} 5	5t _{RI} CLK/7-0.3	5t _{RI} CLK/7	5t _{RI} CLK/7+0.3	ns	
Input Data Position 6 (t _{RI} CLK = 8.9ns)	t _{RI} 6	6t _{RI} CLK/7-0.3	6t _{RI} CLK/7	6t _{RI} CLK/7+0.3	ns	

Input Clock and Data timing Diagram:



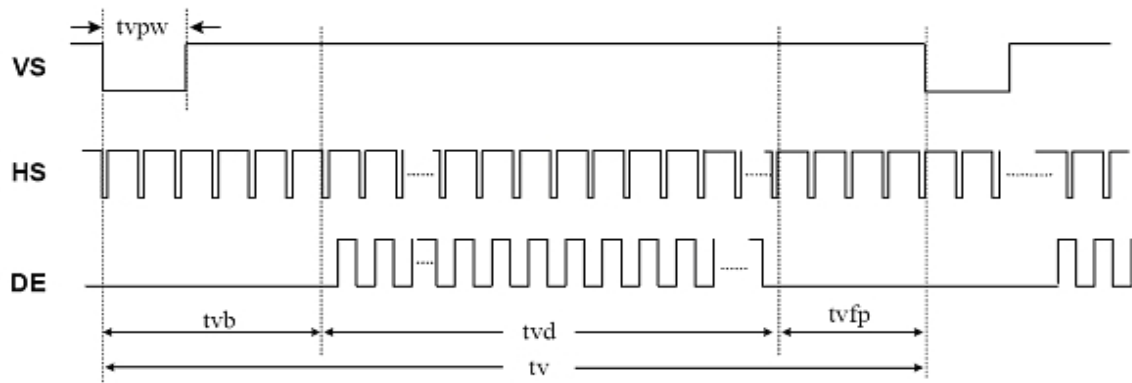
6.2 AC Characteristics(TFT)

● **HV SYNC MODE**

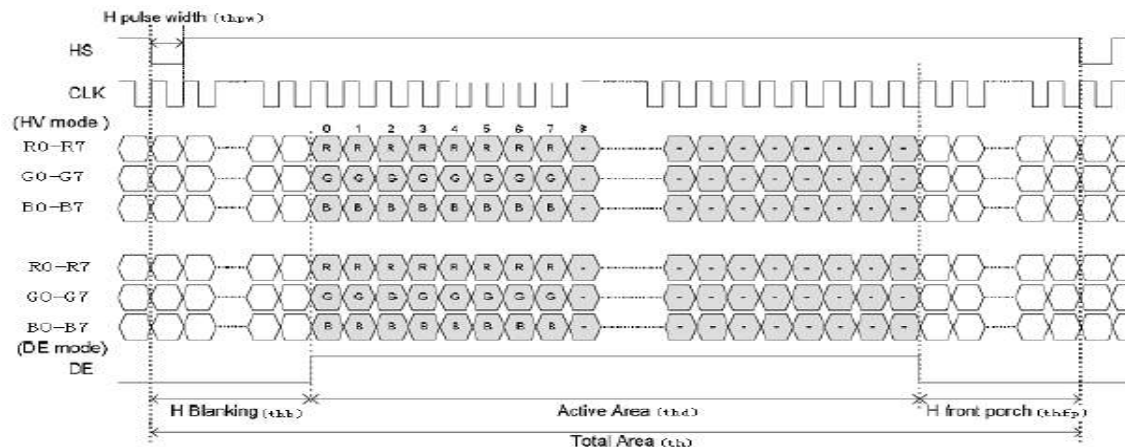
Item	Symbol	MIN.	TYP.	MAX.	Unit	Remark
DCLK Frequency	fclk	35.4	39.6	50.4	MHz	
Horizontal Display Area	thd	800			DCLK	
One Horizontal Line	th	900	1000	1200	DCLK	
HS pulse width	thpw	1	-	40	DCLK	
Back Porch	thb	88			DCLK	
HS Front Porch	thfp	12	112	312	DCLK	
Vertical Display Area	tvd	-	600	-	TH	
VS period time	tv	604	628	800	TH	
VS pulse width	tvpw	1	-	20	TH	
VS Blanking	tvb	39			TH	
VS Front Porch	tvfp	1	21	61	TH	

● **DE MODE (Default)**

Item	Symbol	Values			Unit	Remark
		MIN.	TYP.	MAX.		
DCLK Frequency	fclk	32.6	39.6	62.4	MHz	
HSD	th	890	1000	1300	DCLK	
	thd	800			DCLK	
	thb+thfp	90	200	500	DCLK	
VSD	tv	610	660	800	TH	
	tvd	600			TH	
	tvb+tvfp	10	60	200	TH	



Vertical timing



Horizontal timing

7. Optical Characteristics

Item	Symbol	Condition	MIN.	TYP.	MAX.	UNIT	Note.
Viewing angle (CR≥10)	θ_L	9 o'clock	60	70	-	degree	*2
	θ_R	3 o'clock	60	70	-		
	θ_T	12 o'clock	50	60	-		
	θ_B	6 o'clock	60	70	-		
Response Time	T_f	Normal $\theta=0^\circ$	-	10	15	msec	*3
	T_r		-	15	25	msec	
Contrast Ratio	CR		400	500	-	-	*1
Color Chromaticity	W_x		0.259	0.309	0.359	-	
	W_y		0.284	0.334	0.384	-	
Luminance	L		280				cd/m ²
Luminance uniformity	U	75	80	-	%	*4	

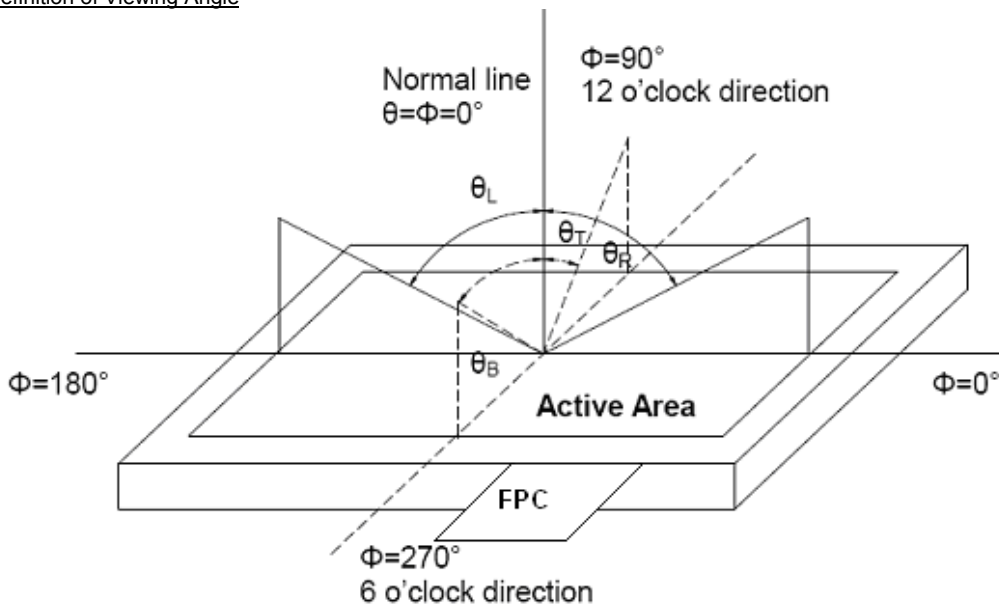
Note:

*1. Definition of Contrast Ratio

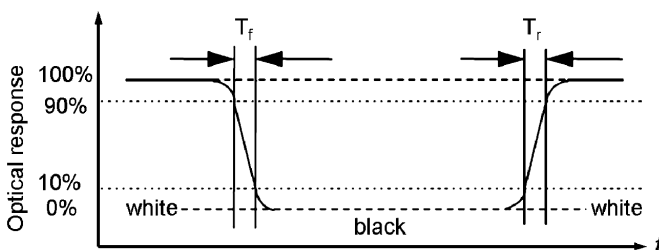
The contrast ratio could be calculate by the following expression:

Contrast Ratio (CR) = Luminanc with all pixels white / Luminance with all pixels black

*2 Definition of Viewing Angle



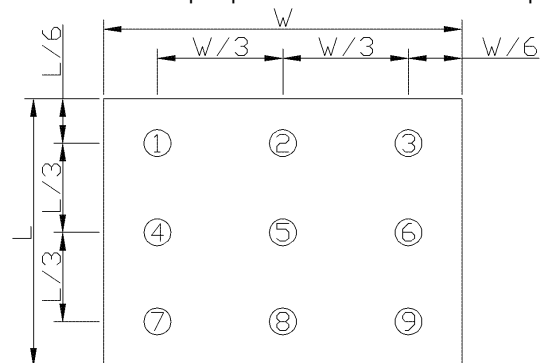
*3 Definition of response time



*4 Definition of Luminance Uniformity

Luminance uniformity (Lu)=

Min. Luminance form pt1~pt9 / Max Luminance form Pt1~pt9



8. Precautions for Use of LCD Modules

8.1 Handling Precautions

- 8.1.1 The display panel is made of glass. Do not subject it to a mechanical shock by dropping it from a high place, etc.
- 8.1.2 If the display panel is damaged and the liquid crystal substance inside it leaks out, be sure not to get any in your mouth, if the substance comes into contact with your skin or clothes, promptly wash it off using soap and water.
- 8.1.3 Do not apply excessive force to the display surface or the adjoining areas since this may cause the color tone to vary.
- 8.1.4 The polarizer covering the display surface of the LCD module is soft and easily scratched. Handle this polarizer carefully.
- 8.1.5 If the display surface is contaminated, breathe on the surface and gently wipe it with a soft dry cloth. If still not completely clear, moisten cloth with one of the following solvents:
 - Isopropyl alcohol
 - Ethyl alcoholSolvents other than those mentioned above may damage the polarizer. Especially, do not use the following:
 - Water
 - Ketone
 - Aromatic solvents
- 8.1.6 Do not attempt to disassemble the LCD Module.
- 8.1.7 If the logic circuit power is off, do not apply the input signals.
- 8.1.8 To prevent destruction of the elements by static electricity, be careful to maintain an optimum work environment.
 - 8.1.8.1 Be sure to ground the body when handling the LCD Modules.
 - 8.1.8.2 Tools required for assembly, such as soldering irons, must be properly ground.
 - 8.1.8.3 To reduce the amount of static electricity generated, do not conduct assembly and other work under dry conditions.
 - 8.1.8.4 The LCD Module is coated with a film to protect the display surface. Be care when peeling off this protective film since static electricity may be generated.

8.2 Storage precautions

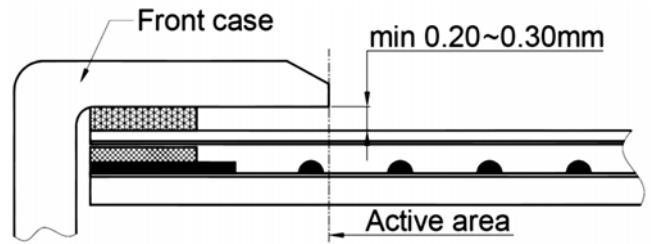
- 8.2.1 When storing the LCD modules, avoid exposure to direct sunlight or to the light of fluorescent lamps.
- 8.2.2 The LCD modules should be stored under the storage temperature range. If the LCD modules will be stored for a long time, the recommend condition is:
Temperature : 0°C ~ 40°C Relatively humidity: ≤80%
- 8.2.3 The LCD modules should be stored in the room without acid, alkali and harmful gas.

8.3 Transportation Precautions

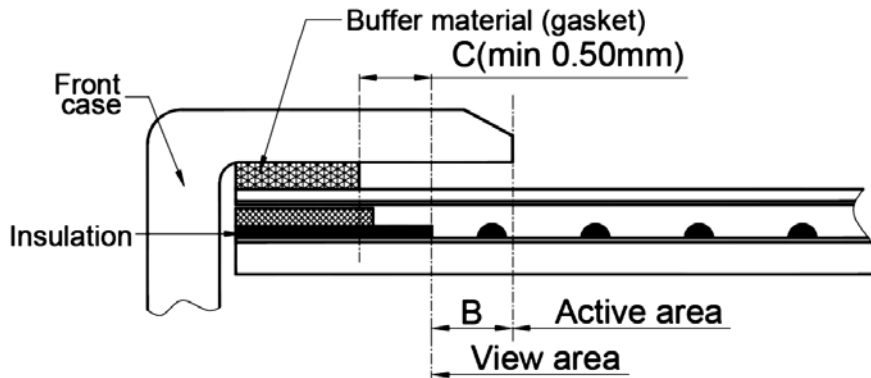
The LCD modules should be no falling and violent shocking during transportation, and also should avoid excessive press, water, damp and sunshine.

附录: Touch panel Design Precautions

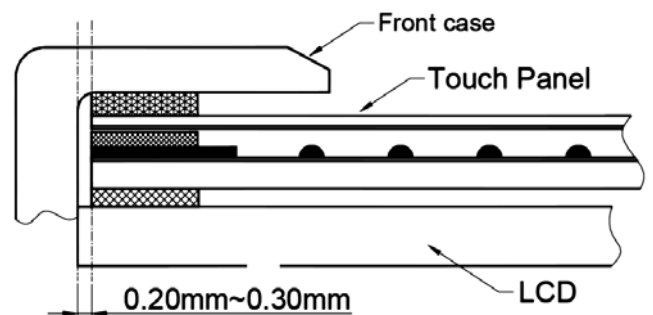
1. It should prevent front case touching the touch panel Active Area (A.A.) to prevent abnormal touch.
It should left gab (e.g. 0.2~0.3mm) in between.



2. Outer case design should take care about the area outside the A.A.
Those areas contain circuit wires which is having different thickness. Touching those areas could deform the ITO film. As a result case the ITO cold be damaged and shorten its lifetime.
It is suggested to protect those areas with gasket (between the front case and the touch panel).
The suggested figures are $B \geq 0.50\text{mm}$; $C \geq 0.50\text{mm}$.



3. The front case side wall should keep space (e.g. 0.2 ~ 0.3mm) from the touch panel.



4. In general design,
touch panel V.A. should be bigger than the LCD V.A.
and touch panel A.A. should be bigger than the LCD A.A.

