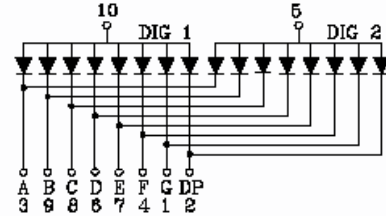
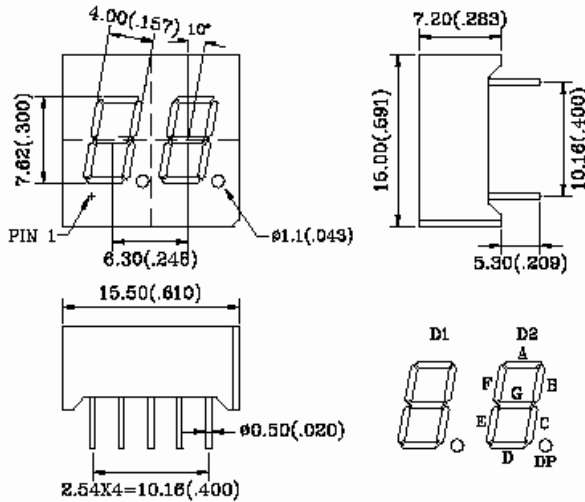
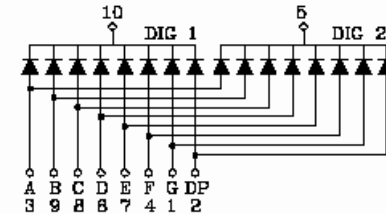


SEVEN SEGMENT DISPLAY – 7.6 mm (0.3 INCH), Dual

DATA SHEET 3555 REV.



(a) Common Anode



(b) Common Cathode

Notes: All dimensions are in mm, tolerance is ± 0.25 mm (0.01") unless otherwise specified

Absolute Maximum Ratings $T_a=25^\circ\text{C}$

Parameter	Green	Unit
Power dissipation per segment	60	mw
Peak forward current per segment*	80	mA
Continuous forward current per segment	15	mA
Reverse voltage per segment	5	V
Operating temperature range	-35~85	$^\circ\text{C}$
Storage temperature range	-35~85	$^\circ\text{C}$
Solder temperature 1/16 inch below seating plane for 3 seconds at 260°C		

* 1/10 duty cycle 10 ms pulse width

Electro-optical Characteristic: ($T_a=25^\circ\text{C}$)

Part No.		Chip Material	Color	Wavelength (nm)	Iv (mcd) Typ. 20mA	Note
Common Anode	Common Cathode					
LN2003-G-AG	LN2003-G-CG	GaP	Green	572	5	
LN2003-RE-AG	LN2003-RE-CG	GaAsP	Red	635	5	
LN2003-RS-AG	LN2003-RS-CG	GaAlAs	Red	660	10	

Features

- 0.3 inch digit height, Gray surface
- Uniformly illuminated segments
- Wide viewing angle
- Easy mounting on PCB or socket

Description

LN2003 series display is fully compatible with industry standard 0.3" package with options of low current (-xxL), common anode (-Axx) and common cathode (-Cxx).

SENSITRON

SEMICONDUCTOR

DISCLAIMER:

1- The information given herein, including the specifications and dimensions, is subject to change without prior notice to improve product characteristics. Before ordering, purchasers are advised to contact the Sensitron Semiconductor sales department for the latest version of the datasheet(s).

2- In cases where extremely high reliability is required (such as use in nuclear power control, aerospace and aviation, traffic equipment, medical equipment, and safety equipment), safety should be ensured by using semiconductor devices that feature assured safety or by means of users' fail-safe precautions or other arrangement.

3- In no event shall Sensitron Semiconductor be liable for any damages that may result from an accident or any other cause during operation of the user's units according to the datasheet(s). Sensitron Semiconductor assumes no responsibility for any intellectual property claims or any other problems that may result from applications of information, products or circuits described in the datasheets.

4- In no event shall Sensitron Semiconductor be liable for any failure in a semiconductor device or any secondary damage resulting from use at a value exceeding the absolute maximum rating.

5- No license is granted by the datasheet(s) under any patents or other rights of any third party or Sensitron Semiconductor.

6- The datasheet(s) may not be reproduced or duplicated, in any form, in whole or part, without the expressed written permission of Sensitron Semiconductor.

7- The products (technologies) described in the datasheet(s) are not to be provided to any party whose purpose in their application will hinder maintenance of international peace and safety nor are they to be applied to that purpose by their direct purchasers or any third party. When exporting these products (technologies), the necessary procedures are to be taken in accordance with related laws and regulations.