

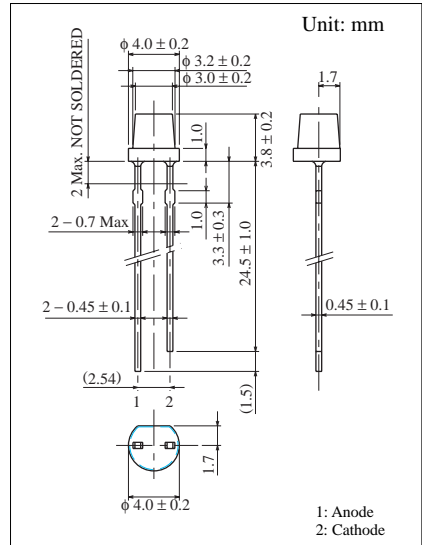
丸形 Round Type  
φ 3.0 mm Series

Conventional Part No. Global Part No. Lighting Color  
 LN277WALX ..... LNG277WKA ..... Red  
 LN277CALX ..... LNG277CKA ..... Red

■ 絶対最大定格 Absolute Maximum Ratings ( $T_a = 25^\circ\text{C}$ )

| Lighting Color | $P_D$ (mW) | $I_F$ (mA) | $I_{FP}$ (mA)* | $V_R$ (V) | $T_{opr}$ ( $^\circ\text{C}$ ) | $T_{stg}$ ( $^\circ\text{C}$ ) |
|----------------|------------|------------|----------------|-----------|--------------------------------|--------------------------------|
| Red            | 60         | 30         | 150            | 3         | -25 ~ +85                      | -30 ~ +100                     |

$I_{FP}$ の条件は duty 10% Pulse width 1 msec. The condition of  $I_{FP}$  is duty 10%, Pulse width 1 msec



■ 電気的光学的特性 Electro-Optical Characteristics ( $T_a = 25^\circ\text{C}$ )

| Conventional Part No. | Lighting Color | Lens Color     | $I_O$ |     | $I_F$ | $V_F$ |     | $\lambda_P$ | $\Delta\lambda$ | $I_F$ | $I_R$         |       |
|-----------------------|----------------|----------------|-------|-----|-------|-------|-----|-------------|-----------------|-------|---------------|-------|
|                       |                |                | Typ   | Min |       | Typ   | Max |             |                 |       | Max           | $V_R$ |
| LN277WALX             | Red            | White Diffused | 4.0   | 1.5 | 20    | 1.8   | 2.6 | 665         | 20              | 20    | 100           | 3     |
| LN277CALX             | Red            | Clear          | 5.0   | 2.0 | 20    | 1.8   | 2.6 | 665         | 20              | 20    | 100           | 3     |
| Unit                  | —              | —              | mcd   | mcd | mA    | V     | V   | nm          | nm              | mA    | $\mu\text{A}$ | V     |

