

Round Type

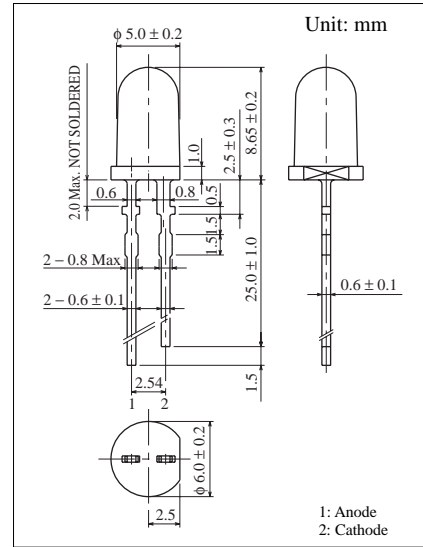
φ 5.0 mm Series

Conventional Part No.	Global Part No.	Lighting Color
LN31GPH	LNG301GFG	Green
LN31YPH	LNG301YFG	Green
LN31GCPH	LNG301MFG	Green
LN31YCPH	LNG301NFG	Green

■ Absolute Maximum Ratings (T_a = 25°C)

Lighting Color	P _D (mW)	I _F (mA)	I _{FP} (mA)*	V _R (V)	T _{opr} (°C)	T _{stg} (°C)
Green	90	30	150	4	-25 ~ +80	-30 ~ +100

I_{FP}の条件は duty 10% Pulse width 1 msec. The condition of I_{FP} is duty 10%, Pulse width 1 msec



■ Electro-Optical Characteristics (T_a = 25°C)

Conventional Part No.	Lighting Color	Lens Color	I _O		I _F	V _F		λ _P	Δλ	I _F	I _R	
			Typ	Min		Typ	Max				Max	V _R
LN31GPH	Green	Green Diffused	15.0	3.0	20	2.2	2.8	565	30	20	10	4
LN31YPH	Green	Yellow Diffused	25.0	10.0	20	2.2	2.8	568	30	20	10	4
LN31GCPH	Green	Green Clear	20.0	7.5	20	2.2	2.8	565	30	20	10	4
LN31YCPH	Green	Yellow Clear	56.0	22.0	20	2.2	2.8	563	30	20	10	4
Unit	—	—	mcd	mcd	mA	V	V	nm	nm	mA	μA	V

