

# Round Type

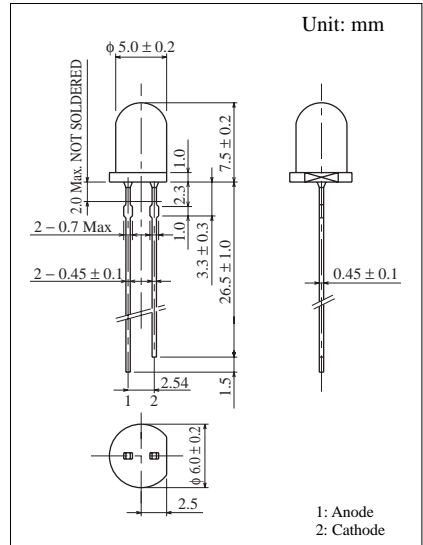
## φ 5.0 mm Series

| Conventional Part No. | Global Part No. | Lighting Color |
|-----------------------|-----------------|----------------|
| LN21RPSLX             | LN21LRKR        | Red            |
| LN31GPSLX             | LN31LGKG        | Green          |
| LN41YPSLX             | LN41LYKX        | Amber          |

### Absolute Maximum Ratings (T<sub>a</sub> = 25°C)

| Lighting Color | P <sub>D</sub> (mW) | I <sub>F</sub> (mA) | I <sub>FP</sub> (mA)* | V <sub>R</sub> (V) | T <sub>opr</sub> (°C) | T <sub>stg</sub> (°C) |
|----------------|---------------------|---------------------|-----------------------|--------------------|-----------------------|-----------------------|
| Red            | 70                  | 25                  | 150                   | 4                  | -25 ~ +85             | -30 ~ +100            |
| Green          | 90                  | 30                  | 150                   | 4                  | -25 ~ +85             | -30 ~ +100            |
| Amber          | 90                  | 30                  | 150                   | 4                  | -25 ~ +85             | -30 ~ +100            |

I<sub>FP</sub>の条件は duty 10% , Pulse width 1 msec. The condition of I<sub>FP</sub> is duty 10%, Pulse width 1 msec



### Electro-Optical Characteristics (T<sub>a</sub> = 25°C)

| Conventional Part No. | Lighting Color | Lens Color     | I <sub>O</sub> |     | I <sub>F</sub> | V <sub>F</sub> |     | λ <sub>P</sub> | Δλ  | I <sub>F</sub> | I <sub>R</sub> |                |
|-----------------------|----------------|----------------|----------------|-----|----------------|----------------|-----|----------------|-----|----------------|----------------|----------------|
|                       |                |                | Typ            | Min |                | Typ            | Max |                |     |                | Max            | V <sub>R</sub> |
| LN21RPSLX             | Red            | Red Diffused   | 3.0            | 1.0 | 15             | 2.2            | 2.8 | 700            | 100 | 20             | 5              | 4              |
| LN31GPSLX             | Green          | Green Diffused | 15.0           | 3.0 | 20             | 2.2            | 2.8 | 565            | 30  | 20             | 10             | 4              |
| LN41YPSLX             | Amber          | Amber Diffused | 8.0            | 3.0 | 20             | 2.2            | 2.8 | 590            | 30  | 20             | 10             | 4              |
| Unit                  | —              | —              | mcd            | mcd | mA             | V              | V   | nm             | nm  | mA             | μA             | V              |

