

# Square Type

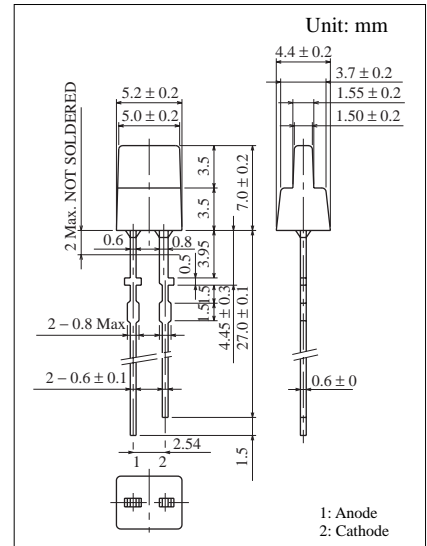
## 5.0 mm × 1.5 mm Series

Conventional Part No.	Global Part No.	Lighting Color
LN229RPH	LNG229RFR	Red
LN329GPH	LNG329GFG	Green
LN429YPH	LNG429YFX	Amber

### ■ Absolute Maximum Ratings ( $T_a = 25^\circ\text{C}$ )

Lighting Color	$P_D$ (mW)	$I_F$ (mA)	$I_{FP}$ (mA)*	$V_R$ (V)	$T_{opr}$ ( $^\circ\text{C}$ )	$T_{stg}$ ( $^\circ\text{C}$ )
Red	70	25	150	4	-25 ~ +85	-30 ~ +100
Green	90	30	150	4	-25 ~ +85	-30 ~ +100
Amber	90	30	150	4	-25 ~ +85	-30 ~ +100

$I_{FP}$ の条件は  $duty$  10% Pulse width 1 msec. The condition of  $I_{FP}$  is duty 10%, Pulse width 1 msec



### ■ Electro-Optical Characteristics ( $T_a = 25^\circ\text{C}$ )

Conventional Part No.	Lighting Color	Lens Color	$I_O$		$I_F$	$V_F$		$\lambda_p$	$\Delta\lambda$	$I_F$	$I_R$	
			Typ	Min		Typ	Max				Typ	Max
LN229RPH	Red	Red Diffused	0.5	0.2	15	2.2	2.8	700	100	20	5	4
LN329GPH	Green	Green Diffused	1.5	0.5	20	2.2	2.8	565	30	20	10	4
LN429YPH	Amber	Amber Diffused	1.5	0.5	20	2.2	2.8	590	30	20	10	4
Unit	—	—	mcd	mcd	mA	V	V	nm	nm	mA	$\mu\text{A}$	V

