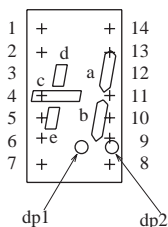


Numeric Display

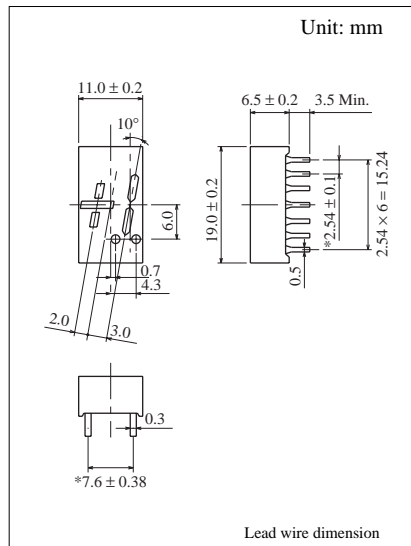
11.0 mm (.4") Series

Conventional Part No. Global Part No. Lighting Color
 LN504R LNM274ZA01 Red
 LN504G LNM374ZA01 Green
 LN504Y LNM474ZA01 Amber

Terminal Connection



| Pin No. | Assignment |
|---------|------------------------|
| 1 | Cathode d |
| 2 | Anode d |
| 3 | — |
| 4 | Cathode c |
| 5 | Cathode e |
| 6 | Anode e |
| 7 | Anode c |
| 8 | Anode ^{dp1} |
| 9 | Cathode ^{dp2} |
| 10 | Cathode b |
| 11 | Cathode a |
| 12 | — |
| 13 | Anode a |
| 14 | Anode b |



■ Absolute Maximum Ratings (T_a = 25°C)

| Lighting Color | P _D (mW) | I _F (mA) | I _{FP} (mA)* | V _R (V) | T _{opr} (°C) | T _{stg} (°C) |
|----------------|---------------------|---------------------|-----------------------|--------------------|-----------------------|-----------------------|
| Red | 60 | 20 | 100 | 5 | -25 ~ +80 | -30 ~ +85 |
| Green | 60 | 20 | 100 | 5 | -25 ~ +80 | -30 ~ +85 |
| Amber | 60 | 20 | 100 | 5 | -25 ~ +80 | -30 ~ +85 |

I_{FP}の条件は μ duty 10% ,Pulse width 1 msec. The condition of I_{FP} is duty 10%, Pulse width 1 msec

■ Electro-Optical Characteristics (T_a = 25°C)

| Conventional Part No. | Lighting Color | Common | I _O / seg | | I _F | V _F | | λ_p | $\Delta\lambda$ | I _F | I _R | | |
|-----------------------|----------------|--------|----------------------|----------|----------------|----------------|-----|-------------|-----------------|----------------|----------------|----------------|---|
| | | | Typ | Min | | Typ | Typ | | | | Max | V _R | |
| LN504R | Red | — | 450 | 150 | 150 | 5 | 2.2 | 2.8 | 700 | 100 | 20 | 10 | 5 |
| LN504G | Green | — | 1500 | 500 | 500 | 10 | 2.2 | 2.8 | 565 | 30 | 20 | 10 | 5 |
| LN504Y | Amber | — | 600 | 200 | 200 | 10 | 2.2 | 2.8 | 590 | 30 | 20 | 10 | 5 |
| Unit | — | — | μ cd | μ cd | μ cd | mA | V | V | nm | nm | mA | μ A | V |

