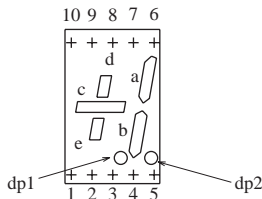


Numeric Display

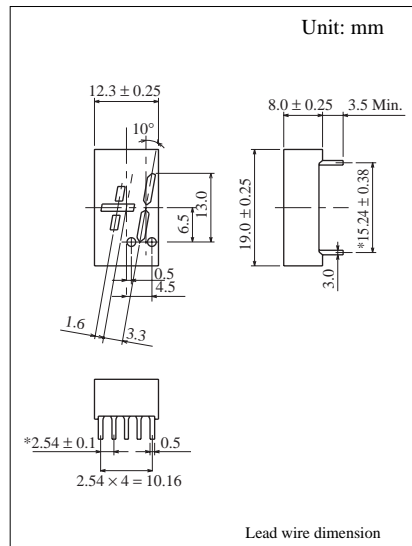
14.4 mm (.6") Series

Conventional Part No.	Global Part No.	Lighting Color
LN506YA	LNM476AA01	Amber
LN506YK	LNM476KA01	Amber
LN506OA	LNM876AA01	Orange
LN506OK	LNM876KA01	Orange

Terminal Connection



Pin No.	Assignment	Assignment
1	Cathode e	Anode e
2	Common Anode c, d, e	Common Cathode c, d, e
3	Cathode b	Anode b
4	Common Anode a, b, dp1, dp2	Common Cathode a, b, dp1, dp2
5	Cathode dp1, dp2	Anode dp1, dp2
6	Cathode a	Anode a
7	Common Anode a, b, dp1, dp2	Common Cathode a, b, dp1, dp2
8	Common Anode c, d, e	Common Cathode c, d, e
9	Cathode d	Anode d
10	Cathode c	Anode c



■ Absolute Maximum Ratings (T_a = 25°C)

Lighting Color	P _D (mW)	I _F (mA)	I _{FP} (mA)*	V _R (V)	T _{opr} (°C)	T _{stg} (°C)
Amber	60	20	100	5	-25 ~ +80	-30 ~ +85
Orange	60	20	100	3	-25 ~ +80	-30 ~ +85

I_{FP}の条件は duty 10% ,Pulse width 1 msec. The condition of I_{FP} is duty 10%, Pulse width 1 msec

■ Electro-Optical Characteristics (T_a = 25°C)

Conventional Part No.	Lighting Color	Common	I _O / seg		I _F	V _F		λ _P	Δλ	I _F	I _R		
			Typ	Min		Typ	Typ				Max	V _R	
LN506YA	Amber	Anode	800	300	300	10	2.2	2.8	590	30	20	10	5
LN506YK	Amber	Cathode	800	300	300	10	2.2	2.8	590	30	20	10	5
LN506OA	Orange	Anode	1200	300	500	10	2.1	2.8	630	40	20	10	3
LN506OK	Orange	Cathode	1200	300	500	10	2.1	2.8	630	40	20	10	3
Unit	—	—	μcd	μcd	μcd	mA	V	V	nm	nm	mA	μA	V

