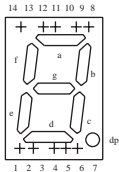


Numeric Display

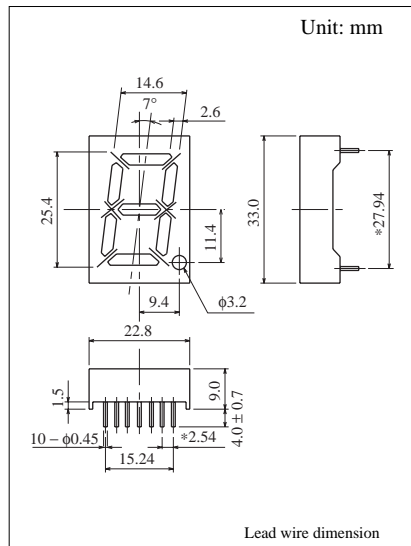
1 Digit 25.4 mm (1.0") Series

Conventional Part No. Global Part No. Lighting Color
 LN5110GAMW LNM311AP03 Green
 LN5110GKMW LNM311KP03 Green
 LN5110OAMW LNM811AA03 Orange
 LN5110OKMW LNM811KA03 Orange

Terminal Connection



Pin No.	Assignment	Assignment
1	Cathode e	Anode e
2	Cathode d	Anode d
3		
4	Common Anode	Common Cathode
5	Cathode c	Anode c
6	Cathode dp	Anode dp
7		
8	Cathode b	Anode b
9	Cathode a	Anode a
10		
11	Common Anode	Common Cathode
12	Cathode f	Anode f
13		
14	Cathode g	Anode g



■ Absolute Maximum Ratings ($T_a = 25^\circ\text{C}$)

Lighting Color	P_D (mW)	I_F (mA)	I_{FP} (mA)*	V_R (V)	T_{opr} ($^\circ\text{C}$)	T_{stg} ($^\circ\text{C}$)
Green	110	20	100	5	-25 ~ +80	-30 ~ +85
Orange	110	20	100	3	-25 ~ +80	-30 ~ +85

I_{FP} の条件は $\text{duty } 10\%$, Pulse width 1 msec. The condition of I_{FP} is duty 10%, Pulse width 1 msec

■ Electro-Optical Characteristics ($T_a = 25^\circ\text{C}$)

Conventional Part No.	Lighting Color	Common	I_O / seg		I_F	V_F		λ_P	$\Delta\lambda$	I_F	I_R		
			Typ	Min		Typ	Typ				Max	Max	V_R
LN5110GAMW	Green	Anode	3.5	1.4	1.2	10	4.4	5.6	565	30	20	10	10
LN5110GKMW	Green	Cathode	3.5	1.4	1.2	10	4.4	5.6	565	30	20	10	10
LN5110OAMW	Orange	Anode	3.0	1.2	1.0	10	4.2	5.6	630	40	20	10	6
LN5110OKMW	Orange	Cathode	3.0	1.2	1.0	10	4.2	5.6	630	40	20	10	6
Unit	—	—	μcd	μcd	μcd	mA	V	V	nm	nm	mA	μA	V

