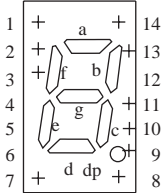


# Numeric Display

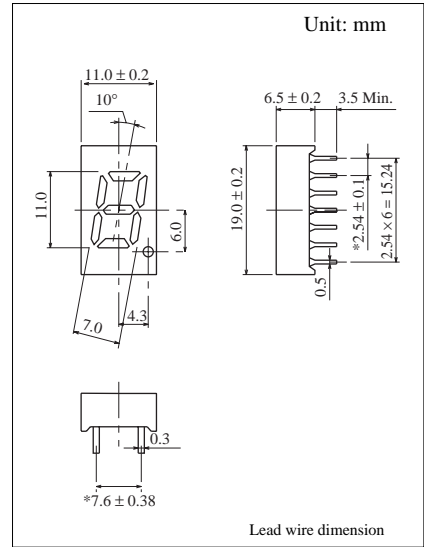
## 1 Digit 11.0 mm (.4") Series

Conventional Part No.	Global Part No.	Lighting Color
LN514RA .....	LNM214AA01 .....	Red
LN514RK .....	LNM214KA01 .....	Red
LN514GA .....	LNM314AA01 .....	Green
LN514GK .....	LNM314KA01 .....	Green

### Terminal Connection



Pin No.	Assignment	Assignment
1	Cathode a	Anode a
2	Cathode f	Anode f
3	Common Anode	Common Cathode
4	_____	_____
5	_____	_____
6	_____	_____
7	Cathode e	Anode e
8	Cathode d	Anode d
9	Cathode dp	Anode dp
10	Cathode c	Anode c
11	Cathode g	Anode g
12	_____	_____
13	Cathode b	Anode b
14	Common Anode	Common Cathode



### ■ Absolute Maximum Ratings ( $T_a = 25^\circ\text{C}$ )

Lighting Color	$P_D$ (mW)	$I_F$ (mA)	$I_{FP}$ (mA)*	$V_R$ (V)	$T_{opr}$ ( $^\circ\text{C}$ )	$T_{stg}$ ( $^\circ\text{C}$ )
Red	60	20	100	5	-25 ~ +80	-30 ~ +85
Green	60	20	100	5	-25 ~ +80	-30 ~ +85

$I_{FP}$ の条件は、duty 10%、Pulse width 1 msec. The condition of  $I_{FP}$  is duty 10%, Pulse width 1 msec

### ■ Electro-Optical Characteristics ( $T_a = 25^\circ\text{C}$ )

Conventional Part No.	Lighting Color	Common	$I_O$ / seg		$I_O$ / d.p	$I_F$	$V_F$		$\lambda_p$	$\Delta\lambda$	$I_F$	$I_R$	
			Typ	Min			Typ	Typ				Max	Max
LN514RA	Red	Anode	450	150	150	5	2.2	2.8	700	100	20	10	5
LN514RK	Red	Cathode	450	150	150	5	2.2	2.8	700	100	20	10	5
LN514GA	Green	Anode	1500	500	500	10	2.2	2.8	565	30	20	10	5
LN514GK	Green	Cathode	1500	500	500	10	2.2	2.8	565	30	20	10	5
Unit	—	—	$\mu\text{cd}$	$\mu\text{cd}$	$\mu\text{cd}$	mA	V	V	nm	nm	mA	$\mu\text{A}$	V

