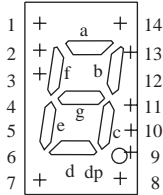


Numeric Display

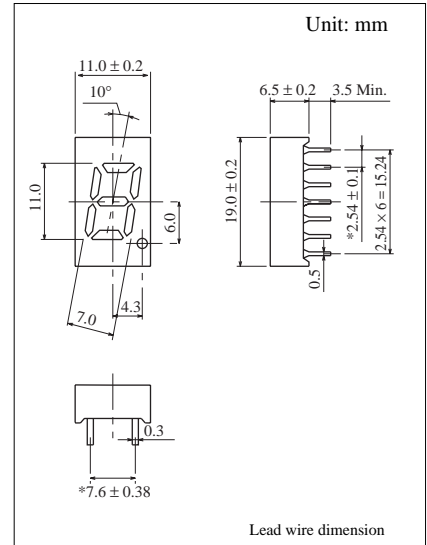
1 Digit 11.0 mm (.4") Series

Conventional Part No.	Global Part No.	Lighting Color
LN514YA	LNM414AA01	Amber
LN514YK	LNM414KA01	Amber
LN514OA	LNM814AA01	Orange
LN514OK	LNM814KA01	Orange

Terminal Connection



Pin No.	Assignment	Assignment
1	Cathode a	Anode a
2	Cathode f	Anode f
3	Common Anode	Common Cathode
4	—	—
5	—	—
6	—	—
7	Cathode e	Anode e
8	Cathode d	Anode d
9	Cathode dp	Anode dp
10	Cathode c	Anode c
11	Cathode g	Anode g
12	—	—
13	Cathode b	Anode b
14	Common Anode	Common Cathode



■ Absolute Maximum Ratings ($T_a = 25^\circ\text{C}$)

Lighting Color	P_D (mW)	I_F (mA)	I_{FP} (mA)*	V_R (V)	T_{opr} ($^\circ\text{C}$)	T_{stg} ($^\circ\text{C}$)
Amber	60	20	100	5	-25 ~ +80	-30 ~ +85
Orange	60	20	100	3	-25 ~ +80	-30 ~ +85

I_{FP} の条件は duty 10% ,Pulse width 1 msec. The condition of I_{FP} is duty 10%, Pulse width 1 msec

■ Electro-Optical Characteristics ($T_a = 25^\circ\text{C}$)

Conventional Part No.	Lighting Color	Common	I_O / seg		I_O / d.p	I_F	V_F		λ_P	$\Delta\lambda$	I_F	I_R	
			Typ	Min			Typ	Typ				Max	Max
LN514YA	Amber	Anode	600	200	200	10	2.2	2.8	590	30	20	10	5
LN514YK	Amber	Cathode	600	200	200	10	2.2	2.8	590	30	20	10	5
LN514OA	Orange	Anode	1200	300	500	10	2.1	2.8	630	40	20	10	3
LN514OK	Orange	Cathode	1200	300	500	10	2.1	2.8	630	40	20	10	3
Unit	—	—	μcd	μcd	μcd	mA	V	V	nm	nm	mA	μA	V

