

# Round Type

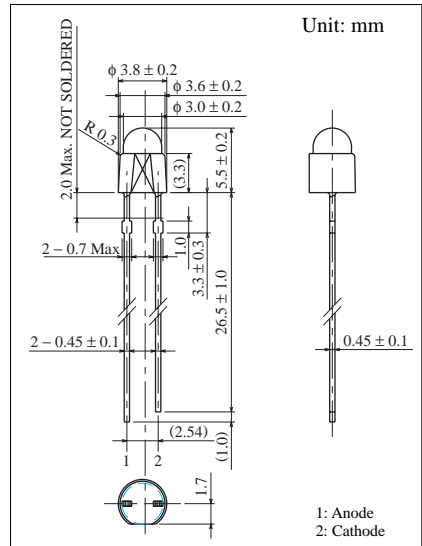
## φ 3.0 mm InGaAlP

Conventional Part No.      Global Part No.      Lighting Color  
 LNG897CK8 ..... LNG897CK8 ..... Orange  
 LNG497CK4 ..... LNG497CK4 ..... Amber

### Absolute Maximum Ratings (T<sub>a</sub> = 25°C)

Lighting Color	P <sub>D</sub> (mW)	I <sub>F</sub> (mA)	V <sub>R</sub> (V)	T <sub>opr</sub> (°C)	T <sub>stg</sub> (°C)
Orange	120	50	4	-25 ~ +85	-30 ~ +100
Amber	120	50	4	-25 ~ +85	-30 ~ +100

I<sub>FP</sub>の条件は duty 10% ,Pulse width 1 msec. The condition of I<sub>FP</sub> is duty 10%, Pulse width 1 msec



### Electro-Optical Characteristics (T<sub>a</sub> = 25°C)

Conventional Part No.	Lighting Color	Lens Color	I <sub>O</sub>		I <sub>F</sub>	V <sub>F</sub>		λ <sub>P</sub>	Δλ	I <sub>F</sub>	I <sub>R</sub>	
			Typ	Min		Typ	Max	Typ	Typ		Max	V <sub>R</sub>
LNG897CK8	Orange	Clear	200	110	20	2.0	2.4	620	17	20	100	4
LNG497CK4	Amber	Clear	260	130	20	2.1	2.4	595	15	20	100	4
Unit	—	—	mcd	mcd	mA	V	V	nm	nm	mA	μA	V

