

Ultra High Bright Surface Mounting Chip

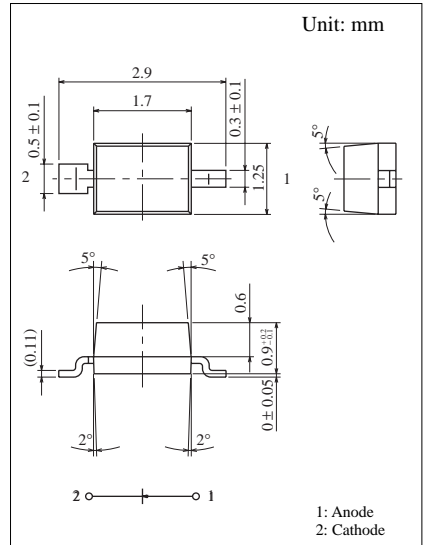
InGaAlP S-GW Type

Conventional Part No. Global Part No. Lighting Color
 LNJ416K54RW LNJ416K54RW Amber
 LNJ806R58RW LNJ806R58RW Orange

■ Absolute Maximum Ratings ($T_a = 25^\circ\text{C}$)

Lighting Color	P_D (mW)	I_F (mA)	I_{FP} (mA)*	V_R (V)	T_{opr} ($^\circ\text{C}$)	T_{stg} ($^\circ\text{C}$)
Amber	50	20	60	4	-25 ~ +85	-30 ~ +100
Orange	50	20	60	4	-25 ~ +85	-30 ~ +100

I_{FP} の条件は duty 10% Pulse width 1 msec. The condition of I_{FP} is duty 10%, Pulse width 1 msec



■ Electro-Optical Characteristics ($T_a = 25^\circ\text{C}$)

Conventional Part No.	Lighting Color	Lens Color	I_O			V_F		λ_P	$\Delta\lambda$	I_F	I_R	
			Typ	Min	I_F	Typ	Max	Typ	Typ		Max	V_R
LNJ406K54RW	Amber	Yellow Diffused	8.5	3.5	10	2.0	2.3	595	15	10	100	4
LNJ806R58RW	Orange	Red Diffused	5.0	2.0	10	1.9	2.3	620	17	10	100	4
Unit	—	—	mcd	mcd	mA	V	V	nm	nm	mA	μA	V

