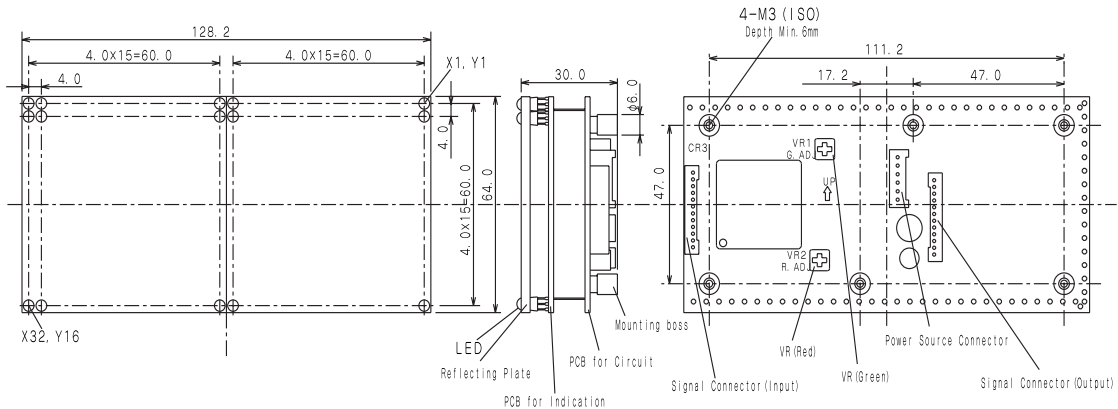


PANEL DISPLAY UNITS

128 × 64 mm

φ 3 mm 32 × 16 Dots LNP173011

Outline Drawing



Absolute Maximum Ratings (Ta = 25°C)

Item	Symbol	Rated	Unit
Supply Voltage for Logic	V _{CC}	- 0.3 ~ + 6.0	V
Supply Voltage for LED	V _{LED}	Max 5.5	V
Input Voltage	V _{in}	- 0.3 ~ V _{CC} + 0.3	V
Operating Ambient Temperature	T _{opr}	- 10 ~ + 45	°C
Storage Temperature	T _{stg}	- 25 ~ + 85	°C

Main Specifications (Ta = 25°C)

Item	Symbol	Rated	Unit
Display Colors		Red, Green, Amber	
Dot Diameter		φ 3.0	mm
Dots Pitch		4.0	mm
Dot Total Number		512 (32 × 16)	
Display Surface Size		128 × 64	mm
Brightness (when lighting all lamps)	B	Red : 100 Green : 100 Controllable	cd/m ²
Operating Method		1/16(Duty) Dynamic lighting	
Clock Frequency	CLK	Max 20	MHz
for Logic	Supply Voltage	V _{CC}	5.0 ± 0.5 V
	Supply Current	I _{CC}	Max 100 mA
for LED	Supply Voltage	V _{LED}	5.0 ± 0.2 V
	Supply Current	I _{LED}	Max 6.5 when two colors are all turned "ON"
Weight		180	g