

10/100Base PC Card Lan Magnetic Modules

Link-PP Int'l Technology

- ※Low profile package
- ※Isolation voltage: 1500 Vrms
- ※For RoHS part add suffix NL*
- ※RoHS NL peak solder rating 235°C



Electrical Specifications@25°C---Operating Temperature 0°C to 70°C

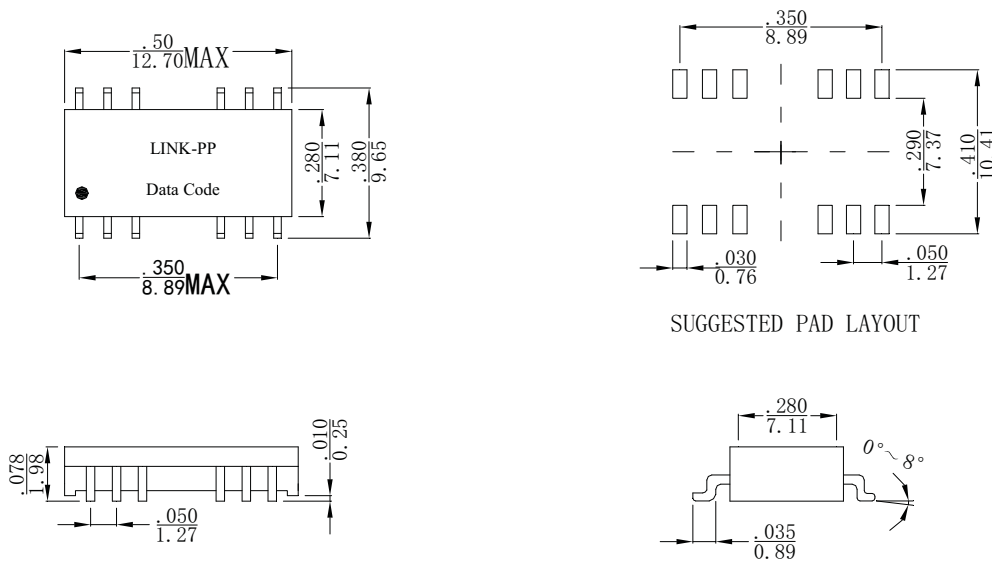
Part Number	Turn Ratio		Insertion Loss (dB Max) 100KHz—100MHz	Return Loss(dB Min)			DCMR(dB Min)			Crosstalk(dB Min)			HI-POT
	TX	RX		30MHz	60MHz	80MHz	30MHz	50MHz	100MHz	30MHz	62MHz	100MHz	
LP0013	1:1	1:1	-0.9	-16	-12	-11	-35	-33	-20	-50	-45	-37	1500V
LP41604	1:1	1:1	-1.1	-20	-14	-11.5	-42	-37	-33	-45	-40	-35	1500V

*.Add suffix NL for RoHS compliant, eg:LP0013 changes to LP0013NL

*.Operating temperature-40°C to +85°C

Mechanicals

LP0013, LP41604

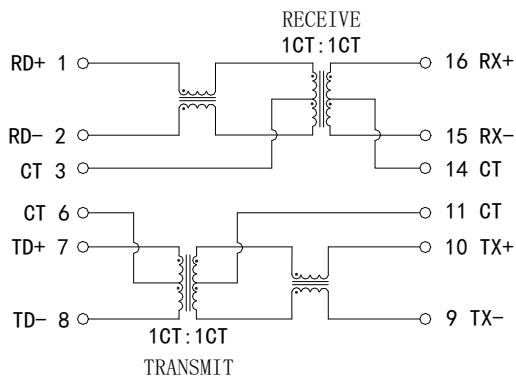


SUGGESTED PAD LAYOUT

Dimensions: $\frac{\text{Inches}}{\text{mm}}$
 Unless otherwise specified,
 all tolerances are ± 0.25

Schematics

LP0013



LP41604

