

10/100Base-T Single Port Transformer Modules

Link-PP Int'l Technology

- ✳️ 1:1 transmits turns ratios compatible with various IC manufacturers.
- ✳️ Meets all IEEE standards including 350 μ H OCL with 8 mA bias
- ✳️ For RoHS compliant parts add suffix NL
- ✳️ RoHS NL peak solder rating 235°C



Electrical Specifications @25°C --- Operating Temperature 0°C to 70°C

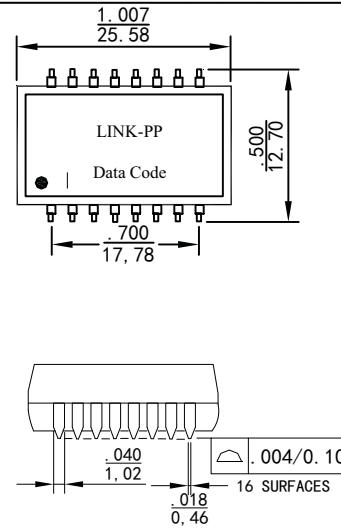
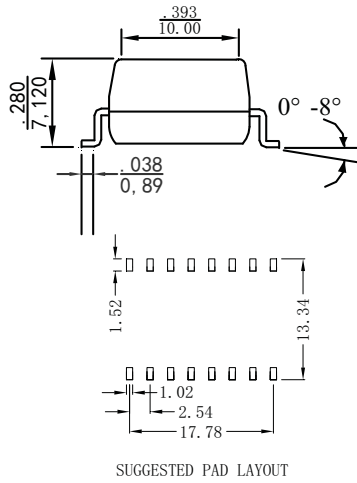
Part Number	Insertion Loss (dB MAX)	Return Loss (dB MIN @ 100 Ω)					Differential to Common Mode Rejection (dB MIN)			Crosstalk (dB TYP)			Hipot (Vrms MIN)
		0.1-100MHz	1-30 MHz	40MHz	50 MHz	60-80	30MHz	60 MHz	100 MHz	30MHz	60 MHz	100 MHz	
LP1012	-1.0	-20	-20	-18	-14	-42	-36	-33	-50	-40	-40	1500	
LP1012P	-1.0	-20	-20	-18	-14	-42	-36	-33	-50	-40	-40	1500	
LP1019	-1.0	-20	-18	-18	-14	-45	-40	-35	-45	-40	-35	1500	
LP1086 ¹	-1.0	-22	-20	-18	-12	-45	-40	-35	-50	-40	-40	1500	
LP1042	-1.0	-16	-13.5	-11.5	-10	-45	-40	-35	-40	-38	-35	1500	
LP1089	-1.0	-22	-20	-18	-12	-42	-38	-32	-50	-40	-40	1500	
LP1117	-1.0	-22	-20	-18	-12	-45	-40	-35	-50	-40	-40	1500	
LP1138	-0.8	-18	-16	-14	-12	-42	-37	-33	-50	-40	-40	1500	
LP1148 ²	-1.5	-18	-13.5	-11.5	-10	-42	-37	-33	-50	-40	-40	1500	
LP1178 ²	-1.5	-18	-13.5	-11.5	-10	-42	-37	-33	-50	-40	-40	1500	
LP88515	-1.0	-18	-18	-16	-12	-50	-45	-40	-55	-50	-50	1500	
LP88517	-1.0	-18	-16	-15	-12	-45	-40	-35	-50	-40	-40	1500	

1.*.Add suffix NL for RoHS compliant, eg: LP1012 changes to LP1012NL

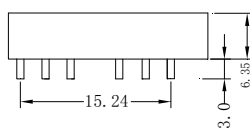
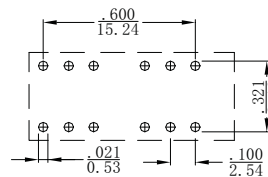
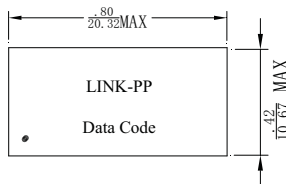
*.Operating temperature -40°C to +85°C

Mechanicals

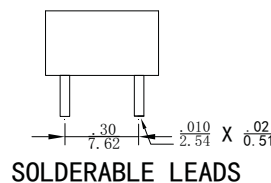
LPXXXX



LP1012P



Dimensions: $\frac{\text{Inches}}{\text{mm}}$
 Unless otherwise specified,
 all tolerances are ± 0.25



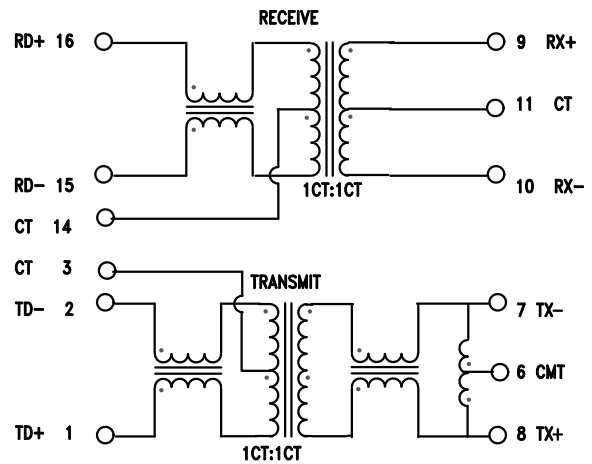
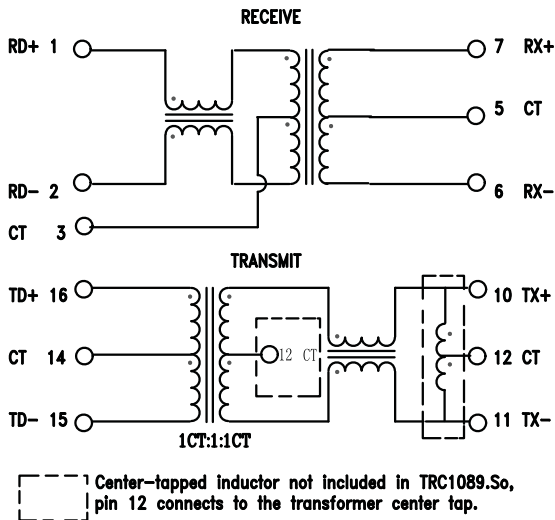
10/100Base-T Single Port Transformer Modules

Link-PP Int'l Technology

Schematics

LP88515, LP1012, LP1012P, LP1086,
LP1089, LP1148, LP1138

LP88517,
LP1019



LP1117, LP1178

LP1042

