

# SPECIFICATION FOR APPROVAL

- ( ) Preliminary Specification
- ( ) Final Specification

Title	10.1" WSVGA TFT LCD
-------	---------------------

Customer	
MODEL	LP101WS1-TLB1

SUPPLIER	LG Display Co., Ltd.
*MODEL	LP101WS1
Suffix	TLB1

\*When you obtain standard approval,  
please use the above model name without suffix

APPROVED BY	SIGNATURE
/	_____
/	_____
/	_____

Please return 1 copy for your confirmation with your signature and comments.

APPROVED BY	SIGNATURE
<b>G. J. Kwon / Manager</b>	_____
<b>REVIEWED BY</b>	
<b>C. J. Jun / Manager</b>	_____
<b>PREPARED BY</b>	
<b>P. A. Choi / Engineer</b>	_____

**Products Engineering Dept.  
LG Display Co., Ltd**

## Product Specification

Contents

No	ITEM	Page
	COVER	1
	CONTENTS	2
	RECORD OF REVISIONS	3
1	GENERAL DESCRIPTION	4
2	ABSOLUTE MAXIMUM RATINGS	5
3	ELECTRICAL SPECIFICATIONS	
3-1	ELECTRICAL CHARACTERISTICS	6
3-2	INTERFACE CONNECTION	7
3-3	LVDS SIGNAL TIMING SPECIFICATIONS	8
3-4	SIGNAL TIMING SPECIFICATIONS	10
3-5	SIGNAL TIMING WAVEFORMS	10
3-6	COLOR INPUT DATA REFERENCE	11
3-7	POWER SEQUENCE	12
4	OPTICAL SPECIFICATIONS	13
5	MECHANICAL CHARACTERISTICS	16
6	RELIABILITY	20
7	INTERNATIONAL STANDARDS	
7-1	SAFETY	21
7-2	EMC	21
8	PACKING	
8-1	DESIGNATION OF LOT MARK	22
8-2	PACKING FORM	22
9	PRECAUTIONS	23
A	APPENDIX. Enhanced Extended Display Identification Data	25

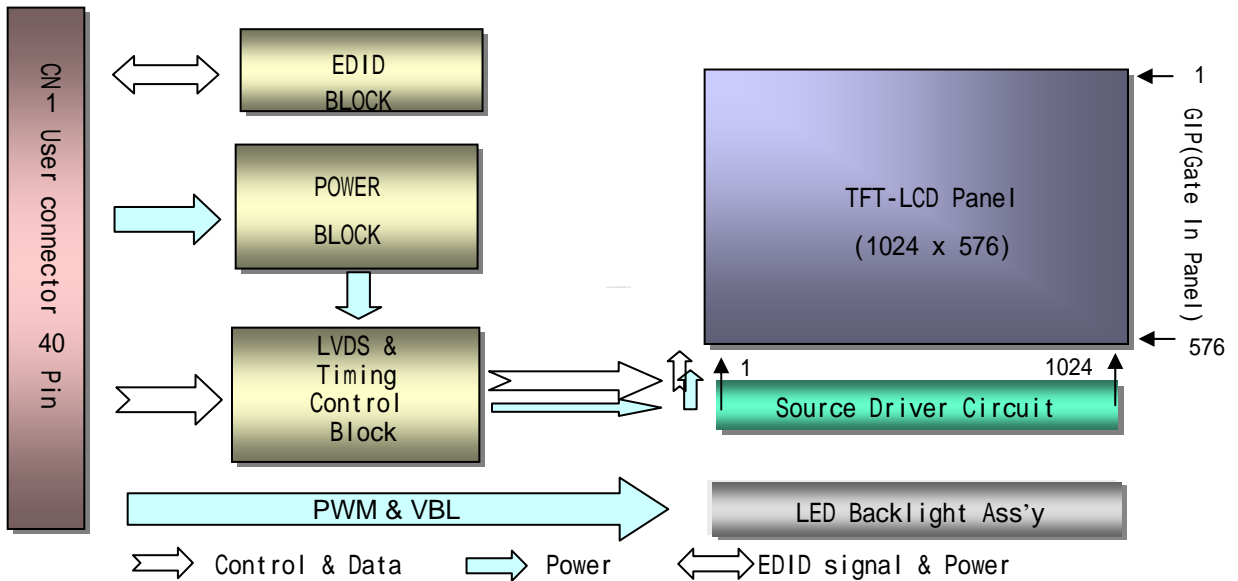


## 1. General Description

The LP101WS1 is a Color Active Matrix Liquid Crystal Display with an integral LED backlight system. The matrix employs a-Si Thin Film Transistor as the active element. It is a transmissive type display operating in the normally white mode. This TFT-LCD has 10.1 inches diagonally measured active display area with WSVGA resolution(1024 horizontal by 576 vertical pixel array). Each pixel is divided into Red, Green and Blue sub-pixels or dots which are arranged in vertical stripes. Gray scale or the brightness of the sub-pixel color is determined with a 6-bit gray scale signal for each dot, thus, presenting a palette of more than 262,144 colors.

The LP101WS1 has been designed to apply the interface method that enables low power, high speed, low EMI.

The LP101WS1 is intended to support applications where thin thickness, low power are critical factors and graphic displays are important. In combination with the vertical arrangement of the sub-pixels, the LP101WS1 characteristics provide an excellent flat display for office automation products such as Notebook PC.



## General Features

Active Screen Size	10.1 inches diagonal
Outline Dimension	235(H) × 143(V) × .52(D,Max.) [mm]
Pixel Pitch	0.2175mm × 0.2175 mm
Pixel Format	1024 horiz. By 576 vert. Pixels RGB strip arrangement
Color Depth	6-bit, 262,144 colors
Luminance, White	200 cd/m <sup>2</sup> (Typ.5 point)
Power Consumption	TBD
Weight	190g (Max.)
Display Operating Mode	Transmissive mode, normally white
Surface Treatment	Anti-glare treatment of the front polarizer
RoHS Comply	Yes

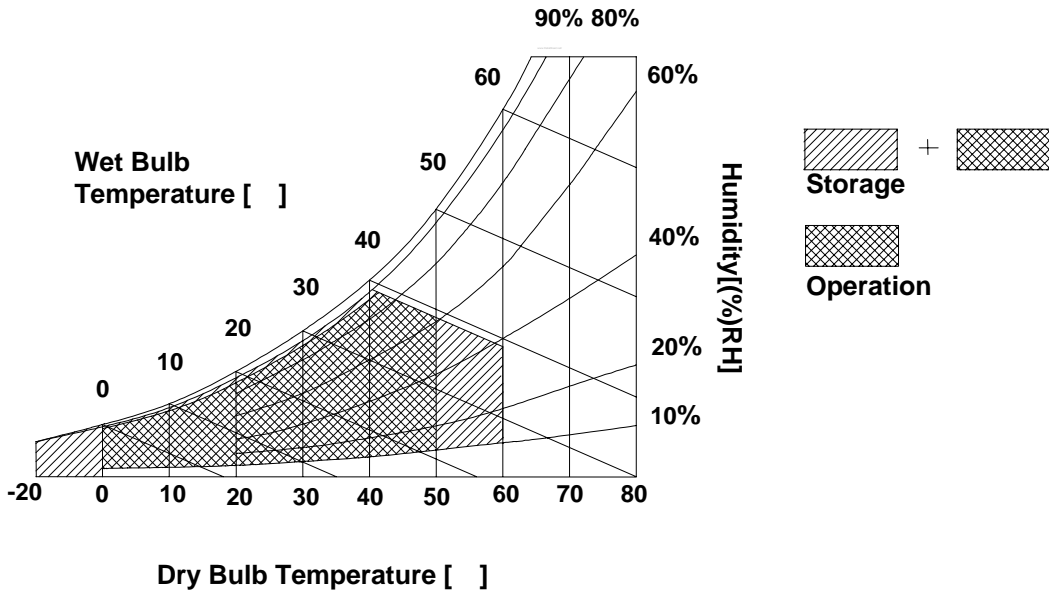
## 2. Absolute Maximum Ratings

The following are maximum values which, if exceeded, may cause faulty operation or damage to the unit.

**Table 1. ABSOLUTE MAXIMUM RATINGS**

Parameter	Symbol	Values		Units	Notes
		Min	Max		
Power Input Voltage	VCC	-0.3	4.0	Vdc	at 25 ± 5°C
Operating Temperature	TOP	0	50	°C	1
Storage Temperature	HST	-20	60	°C	1
Operating Ambient Humidity	HOP	10	90	%RH	1
Storage Humidity	HST	10	90	%RH	1

Note : 1. Temperature and relative humidity range are shown in the figure below.  
Wet bulb temperature should be 39°C Max, and no condensation of water.



### 3. Electrical Specifications

#### 3-1. Electrical Characteristics

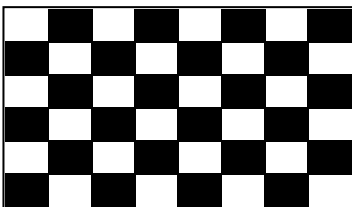
The LP101WS1 requires two power inputs. One is employed to power the LCD electronics and to drive the TFT array and liquid crystal. The second input which powers the LED BL.

**Table 2. ELECTRICAL CHARACTERISTICS**

Parameter	Symbol	Values			Unit	Notes
		Min	Typ	Max		
MODULE :						
Power Supply Input Voltage	VCC				V <sub>DC</sub>	
Power Supply Input Current	I <sub>CC</sub>		TBD		mA	1
Power Consumption	P <sub>c</sub>				Watt	1
Differential Impedance	Z <sub>m</sub>	90	100	110	Ohm	2
LED Backlight ( With LED Driver ) :						
LED Driver ( @5V )	P <sub>DRIVER</sub>				Watt	
Operating Voltage	V <sub>LED</sub>				V	
Operating Current per string	I <sub>LED</sub>		TBD		mA	3
Power Consumption	P <sub>BL</sub>				Watt	4
Life Time					Hrs	5

Note)

1. The specified current and power consumption are under the V<sub>cc</sub> = 3.3V , 25 °C , f<sub>v</sub> = 60Hz condition whereas Mosaic pattern is displayed and f<sub>v</sub> is the frame frequency.




2. This impedance value is needed to proper display and measured from LVDS Tx to the mating connector.
3. The typical operating current is for the typical surface luminance (L<sub>WH</sub>) in optical characteristics.  
I<sub>LED</sub> is the current of each LED's string, LED backlight has 6 strings on it.
4. The LED power consumption shown above does not include power of external LED driver circuit for typical current condition.
5. The life time is determined as the time at which brightness of LED is 50% compare to that of initial value at the typical LED current.

## Product Specification

### 3-2. Interface Connection

This LCD employs one interface connection, a 40 pin connector is used for the module electronics interface. The electronics interface connector is a model 20455-040E-0\* manufactured by I-PEX.

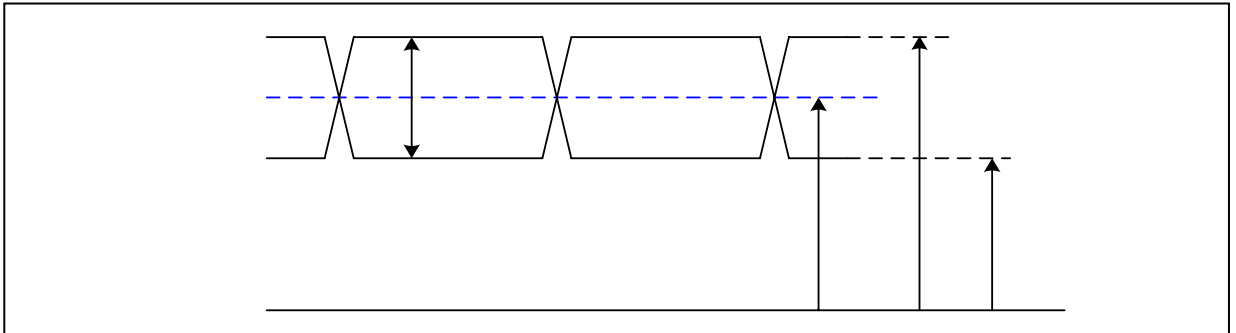
**Table 3. MODULE CONNECTOR PIN CONFIGURATION (CN1)**

Pin	Symbol	Description	Notes
1	CT1/NC	Connector Test/No Connection(Reserved)	1, Interface chips 1.1 LCD : SiW, 1port including LVDS Receiver 1.2 System : * Pin to Pin compatible with LVDS  2. Connector 2.1 LCD : I-PEX 20455-040E-0* (Locking type) or equivalent  2.2 Mating : <b>TBD</b> 2.3 Connector pin arrangement   [LCD Module Rear View]
2	VDD	+3.3V Power Supply	
3	VDD	+3.3V Power Supply	
4	V <sub>EDID</sub>	+3.3V EDID Power	
5	NC	No Connection	
6	CLK <sub>EDID</sub>	EDID Clock Input	
7	DATA <sub>EDID</sub>	EDID Data Input	
8	RxIN0-	LVDS differential data input	
9	RxIN0+	LVDS differential data input	
10	GND	Ground	
11	RxIN1-	LVDS differential data input	
12	RxIN1+	LVDS differential data input	
13	GND	Ground	
14	RxIN2-	LVDS differential data input	
15	RxIN2+	LVDS differential data input	
16	GND	Ground	
17	RxCLKIN-	LVDS differential clock input	
18	RxCLKIN+	LVDS differential clock input	
19	GND	Ground	
20	NC	No Connection	
21	NC	No Connection	
22	GND	Ground	
23	NC	No Connection	
24	NC	No Connection	
25	GND	Ground	
26	NC	No Connection	
27	NC	No Connection	
28	GND	Ground	
29	NC	No Connection	
30	NC	No Connection	
31	VLED_GND	LED Ground	
32	VLED_GND	LED Ground	
33	VLED_GND	LED Ground	
34	CT2/NC	Connector Test/No Connection(Reserved)	
35	S_PWMIN	System PWM signal input	
36	BL_ON or NC	LED Enable or No Connection[Note 1]	
37	NC	No Connection	
38	VLED	+6V~+18V LED Power Supply	
39	VLED	+6V~+18V LED Power Supply	
40	VLED	+6V~+18V LED Power Supply	

[Note 1]  
 Let this pin NC if this pin is not used.  
 (On: 2.0V ,Off:0~0.4V)

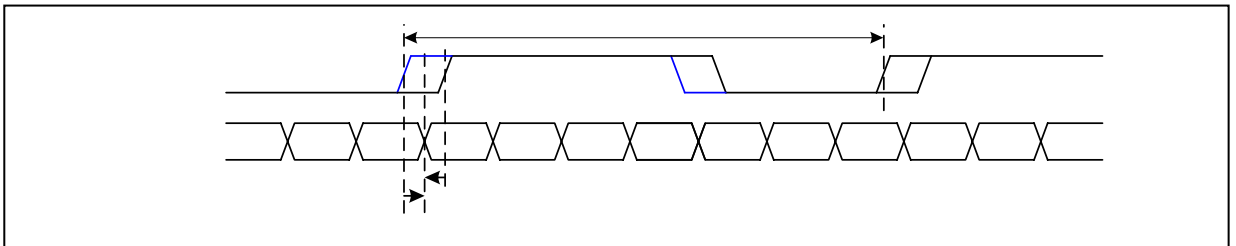
### 3-3. LVDS Signal Timing Specifications

#### 3-3-1. DC Specification



Description	Symbol	Min	Max	Unit	Notes
LVDS Differential Voltage	$ V_{ID} $	100	600	mV	-
LVDS Common mode Voltage	$V_{CM}$	0.6	1.8	V	-
LVDS Input Voltage Range	$V_{IN}$	0.3	2.1	V	-

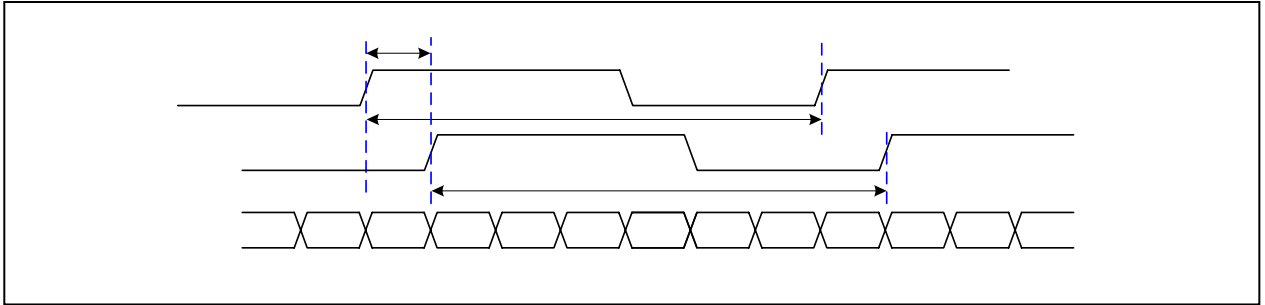
#### 3-3-2. AC Specification



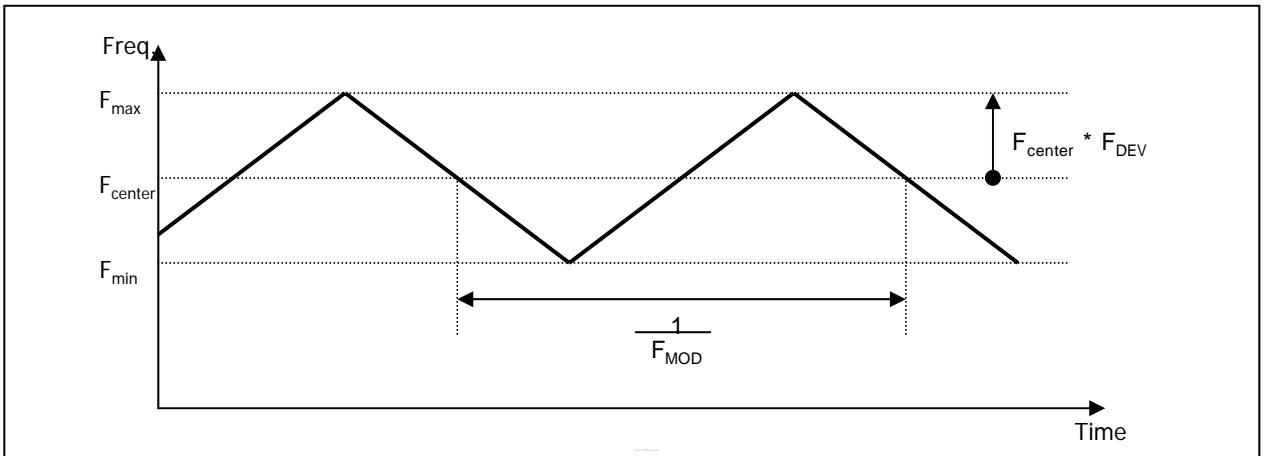
Description	Symbol	Min	Max	Unit	Notes
LVDS Clock to Data Skew Margin	$t_{SKEW}$	- 400	+ 400	ps	65MHz > Eclk 65MHz
	$t_{SKEW}$	- 600	+ 600	ps	65MHz > Fclk 25MHz
LVDS Clock to Clock Skew Margin (Even to Odd)	$t_{SKEW\_EO}$	- 1/7	+ 1/7	$T_{clk}$	-
Maximum deviation of input clock frequency during SSC	$F_{DEV}$	-	$\pm 3$	%	-
Maximum modulation frequency of input clock during SSC	$F_{MOD}$	-	200	KHz	-



Product Specification



< Clock skew margin between channel >

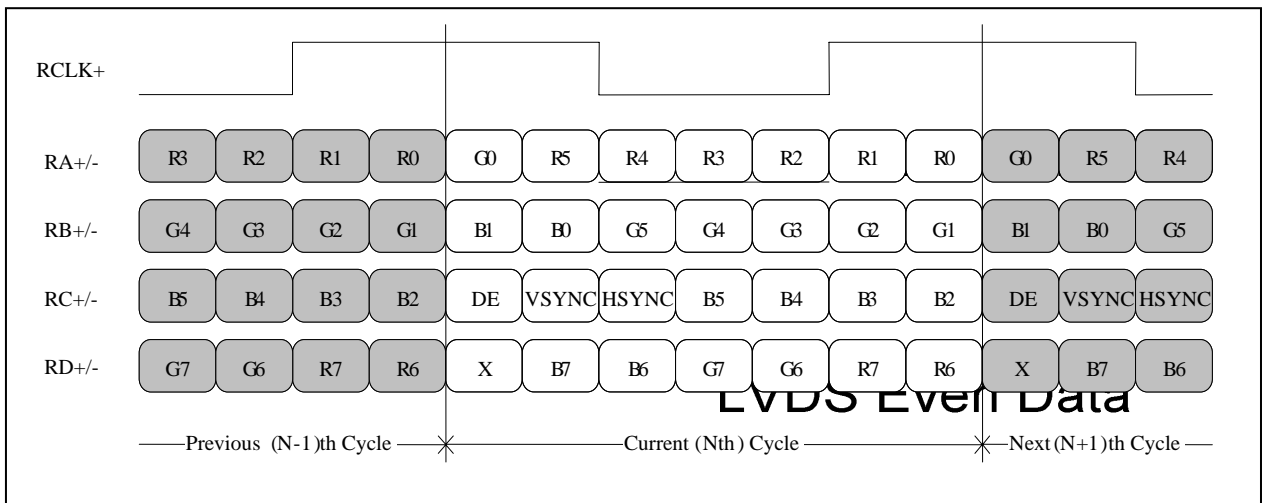


< Spread Spectrum >

3-3-3. Data Format

- LVDS 1 Port

LVDS Odd Clock



< LVDS Data Format >

### 3-4. Signal Timing Specifications

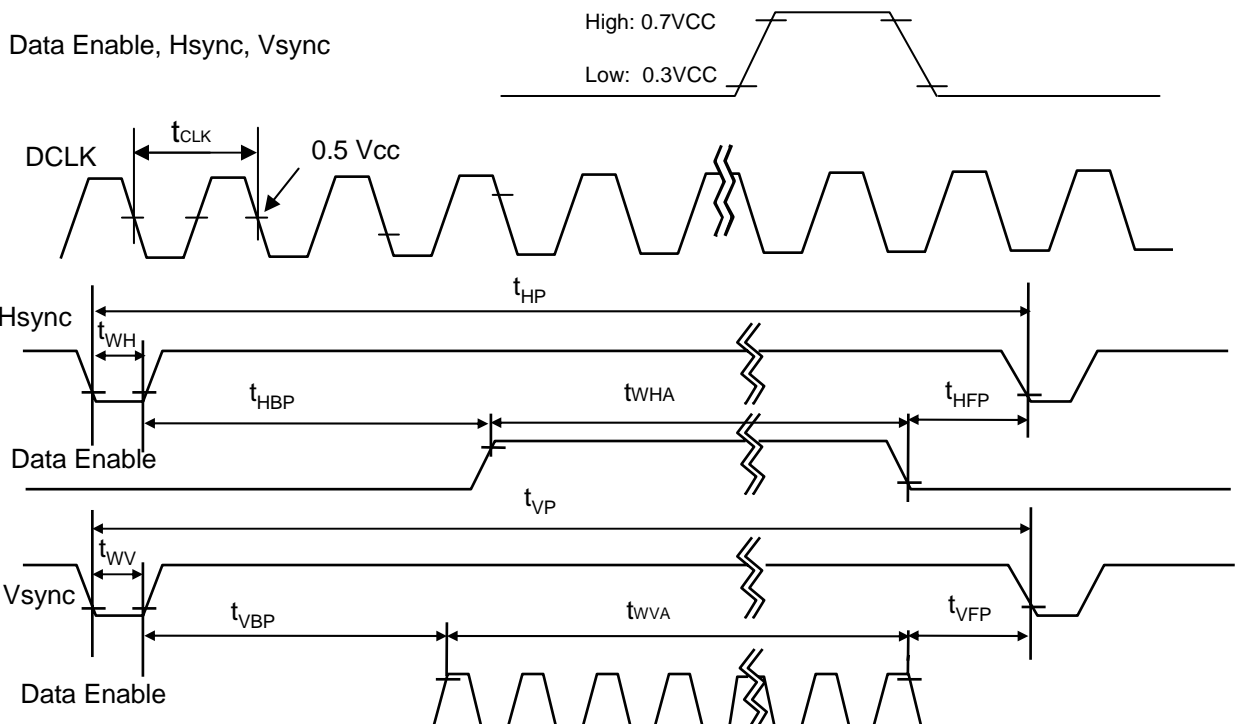
This is the signal timing required at the input of the User connector. All of the interface signal timing should be satisfied with the following specifications and specifications of LVDS Tx/Rx for its proper operation.

**Table 5. TIMING TABLE**

ITEM	Symbol		Min	Typ	Max	Unit	Note
DCLK	Frequency	$f_{CLK}$				MHz	
Hsync	Period	$T_{hp}$				tCLK	
	Width	$t_{WH}$					
	Width-Active	$t_{WHA}$					
Vsync	Period	$t_{VP}$				tHP	
	Width	$t_{WV}$		TBD			
	Width-Active	$t_{WVA}$					
Data Enable	Horizontal back porch	$t_{HBP}$				tCLK	
	Horizontal front porch	$t_{HFP}$					
	Vertical back porch	$t_{VBP}$				tHP	
	Vertical front porch	$t_{VFP}$					

### 3-5. Signal Timing Waveforms

Condition : VCC = 3.3V



## Product Specification

### 3-6. Color Input Data Reference

The brightness of each primary color (red, green and blue) is based on the 6-bit gray scale data input for the color ; the higher the binary input, the brighter the color. The table below provides a reference for color versus data input.

**Table 7. COLOR DATA REFERENCE**

Color		Input Color Data																	
		RED						GREEN						BLUE					
		MSB			LSB			MSB			LSB			MSB			LSB		
		R 5	R 4	R 3	R 2	R 1	R 0	G 5	G 4	G 3	G 2	G 1	G 0	B 5	B 4	B 3	B 2	B 1	B 0
Basic Color	Black	0	0	0	0	0	0	0	0	0	0	0	0	0	0	0	0	0	0
	Red	1	1	1	1	1	1	0	0	0	0	0	0	0	0	0	0	0	0
	Green	0	0	0	0	0	0	1	1	1	1	1	1	0	0	0	0	0	0
	Blue	0	0	0	0	0	0	0	0	0	0	0	0	1	1	1	1	1	1
	Cyan	0	0	0	0	0	0	1	1	1	1	1	1	1	1	1	1	1	1
	Magenta	1	1	1	1	1	1	0	0	0	0	0	0	1	1	1	1	1	1
	Yellow	1	1	1	1	1	1	1	1	1	1	1	1	0	0	0	0	0	0
	White	1	1	1	1	1	1	1	1	1	1	1	1	1	1	1	1	1	1
RED	RED (00)	0	0	0	0	0	0	0	0	0	0	0	0	0	0	0	0	0	0
	RED (01)	0	0	0	0	0	1	0	0	0	0	0	0	0	0	0	0	0	0
	...	...						...						...					
	RED (62)	1	1	1	1	1	0	0	0	0	0	0	0	0	0	0	0	0	0
	RED (63)	1	1	1	1	1	1	0	0	0	0	0	0	0	0	0	0	0	0
GREEN	GREEN (00)	0	0	0	0	0	0	0	0	0	0	0	0	0	0	0	0	0	0
	GREEN (01)	0	0	0	0	0	0	0	0	0	0	0	1	0	0	0	0	0	0
	...	...						...						...					
	GREEN (62)	0	0	0	0	0	0	1	1	1	1	1	0	0	0	0	0	0	0
	GREEN (63)	0	0	0	0	0	0	1	1	1	1	1	1	0	0	0	0	0	0
BLUE	BLUE (00)	0	0	0	0	0	0	0	0	0	0	0	0	0	0	0	0	0	0
	BLUE (01)	0	0	0	0	0	0	0	0	0	0	0	0	0	0	0	0	0	1
	...	...						...						...					
	BLUE (62)	0	0	0	0	0	0	0	0	0	0	0	0	1	1	1	1	1	0
	BLUE (63)	0	0	0	0	0	0	0	0	0	0	0	0	1	1	1	1	1	1

### 3-7. Power Sequence

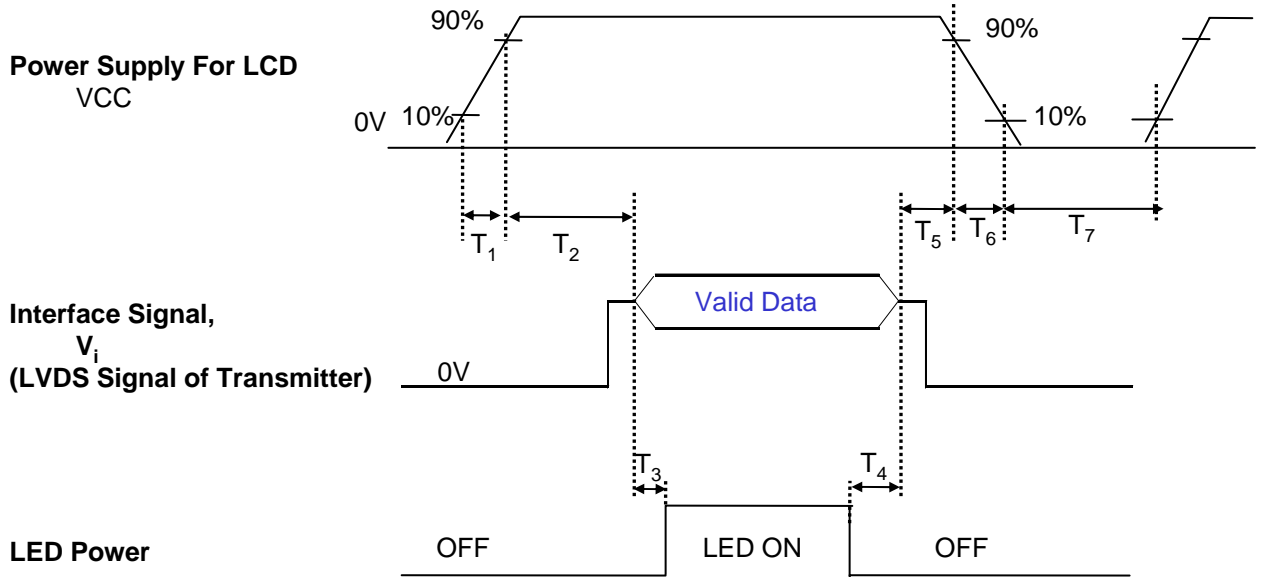


Table 7. POWER SEQUENCE TABLE

Parameter	Value			Units
	Min.	Typ.	Max.	
T <sub>1</sub>	0.5	-	10	(ms)
T <sub>2</sub>	0	-	50	(ms)
T <sub>3</sub>	200	-	-	(ms)
T <sub>4</sub>	200	-	-	(ms)
T <sub>5</sub>	0	-	50	(ms)
T <sub>6</sub>	0	-	10	(ms)
T <sub>7</sub>	400	-	-	(ms)

Note)

1. Valid Data is Data to meet "3-3. LVDS Signal Timing Specifications"
2. Please avoid floating state of interface signal at invalid period.
3. When the interface signal is invalid, be sure to pull down the power supply for LCD VCC to 0V.
4. LED power must be turn on after power supply for LCD and interface signal are valid.

### 4. Optical Specification

Optical characteristics are determined after the unit has been 'ON' and stable for approximately 30 minutes in a dark environment at 25°C. The values specified are at an approximate distance 50cm from the LCD surface at a viewing angle of  $\Phi$  and  $\Theta$  equal to 0°.

FIG. 1 presents additional information concerning the measurement equipment and method.

FIG. 1 Optical Characteristic Measurement Equipment and Method

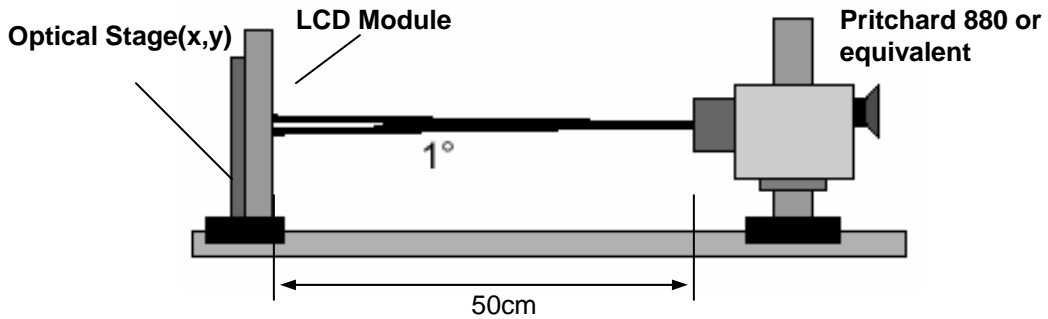


Table 8. OPTICAL CHARACTERISTICS

Ta=25°C, VCC=3.3V, fv=60Hz, fCLK= 69.3MHz, IBL= 17 mA

Parameter	Symbol	Values			Units	Notes
		Min	Typ	Max		
Contrast Ratio	CR		TBD			1
Surface Luminance, white	L <sub>WH</sub>		200	-	cd/m <sup>2</sup>	2
Luminance Variation	$\delta_{\text{WHITE}}$	-	1.4	1.6		3
Response Time	Tr <sub>R</sub> + Tr <sub>D</sub>	-	16	25	ms	4
Color Coordinates						
RED	RX		TBD			
GREEN	GX		TBD			
BLUE	BX		TBD			
WHITE	WX	0.283	0.313	0.343		
WHITE	WY	0.299	0.329	0.359		
Viewing Angle						5
x axis, right( $\Phi=0^\circ$ )	$\Theta_r$	30	-	-	degree	
x axis, left ( $\Phi=180^\circ$ )	$\Theta_l$	30	-	-	degree	
y axis, up ( $\Phi=90^\circ$ )	$\Theta_u$	10	-	-	degree	
y axis, down ( $\Phi=270^\circ$ )	$\Theta_d$	20	-	-	degree	
Gray Scale			2.2			6

Product Specification

Note)

1. Contrast Ratio(CR) is defined mathematically as

$$\text{Contrast Ratio} = \frac{\text{Surface Luminance with all white pixels}}{\text{Surface Luminance with all black pixels}}$$

2. Surface luminance is the average of 5 point across the LCD surface 50cm from the surface with all pixels displaying white. For more information see FIG 1.

$$L_{WH} = \text{Average}(L_1, L_2, \dots L_5)$$

3. The variation in surface luminance , The panel total variation ( $\delta_{WHITE}$ ) is determined by measuring  $L_N$  at each test position 1 through 13 and then defined as followed numerical formula.  
For more information see FIG 2.

$$\delta_{WHITE} = \frac{\text{Maximum}(L_1, L_2, \dots L_{13})}{\text{Minimum}(L_1, L_2, \dots L_{13})}$$

4. Response time is the time required for the display to transition from white to black (rise time,  $Tr_R$ ) and from black to white(Decay Time,  $Tr_D$ ). For additional information see FIG 3.

5. Viewing angle is the angle at which the contrast ratio is greater than 10. The angles are determined for the horizontal or x axis and the vertical or y axis with respect to the z axis which is normal to the LCD surface. For more information see FIG 4.

6. Gray scale specification

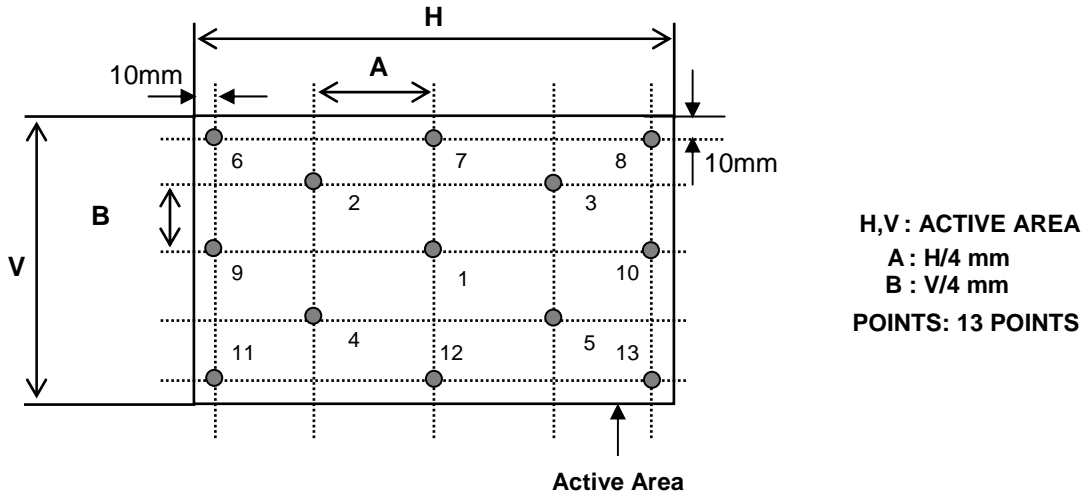
\*  $f_V = 60\text{Hz}$

Gray Level	Luminance [%] (Typ)
L0	<b>TBD</b>
L7	
L15	
L23	
L31	
L39	
L47	
L55	
L63	

Product Specification

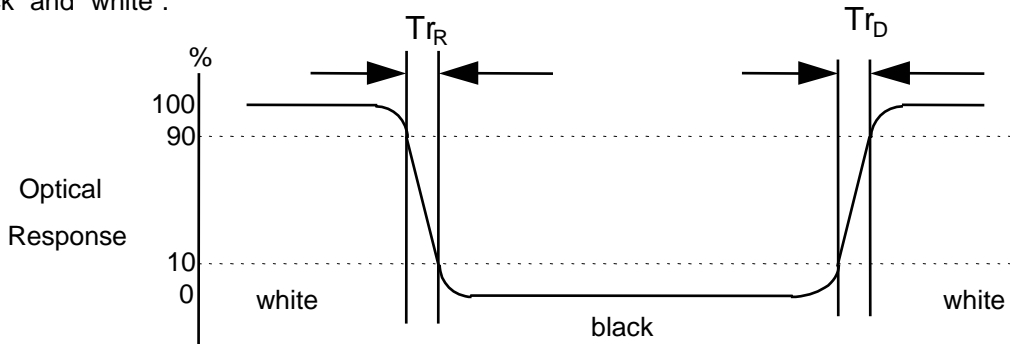
**FIG. 2 Luminance**

<measuring point for surface luminance & measuring point for luminance variation>

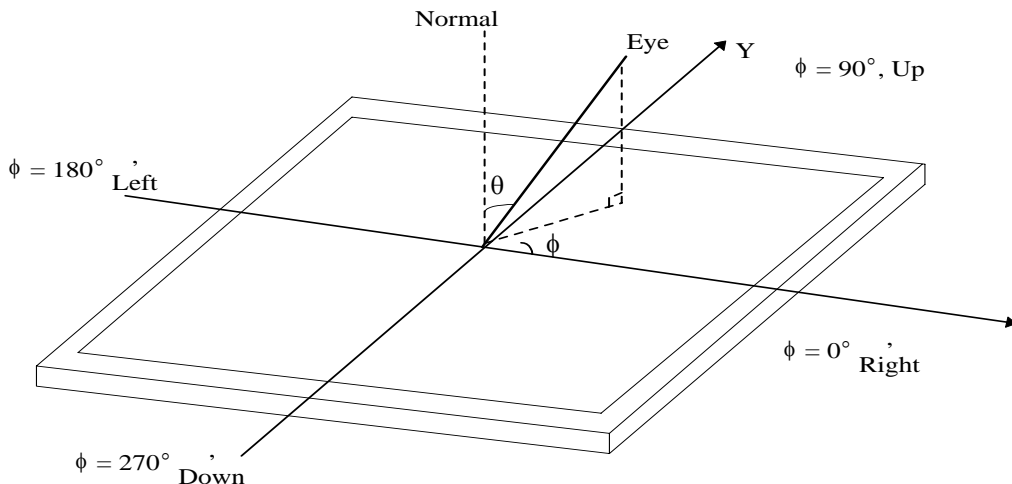


**FIG. 3 Response Time**

The response time is defined as the following figure and shall be measured by switching the input signal for "black" and "white".



**FIG. 4 Viewing angle**



Product Specification

### 5. Mechanical Characteristics

The contents provide general mechanical characteristics for the model LP101WS1. In addition the figures in the next page are detailed mechanical drawing of the LCD.

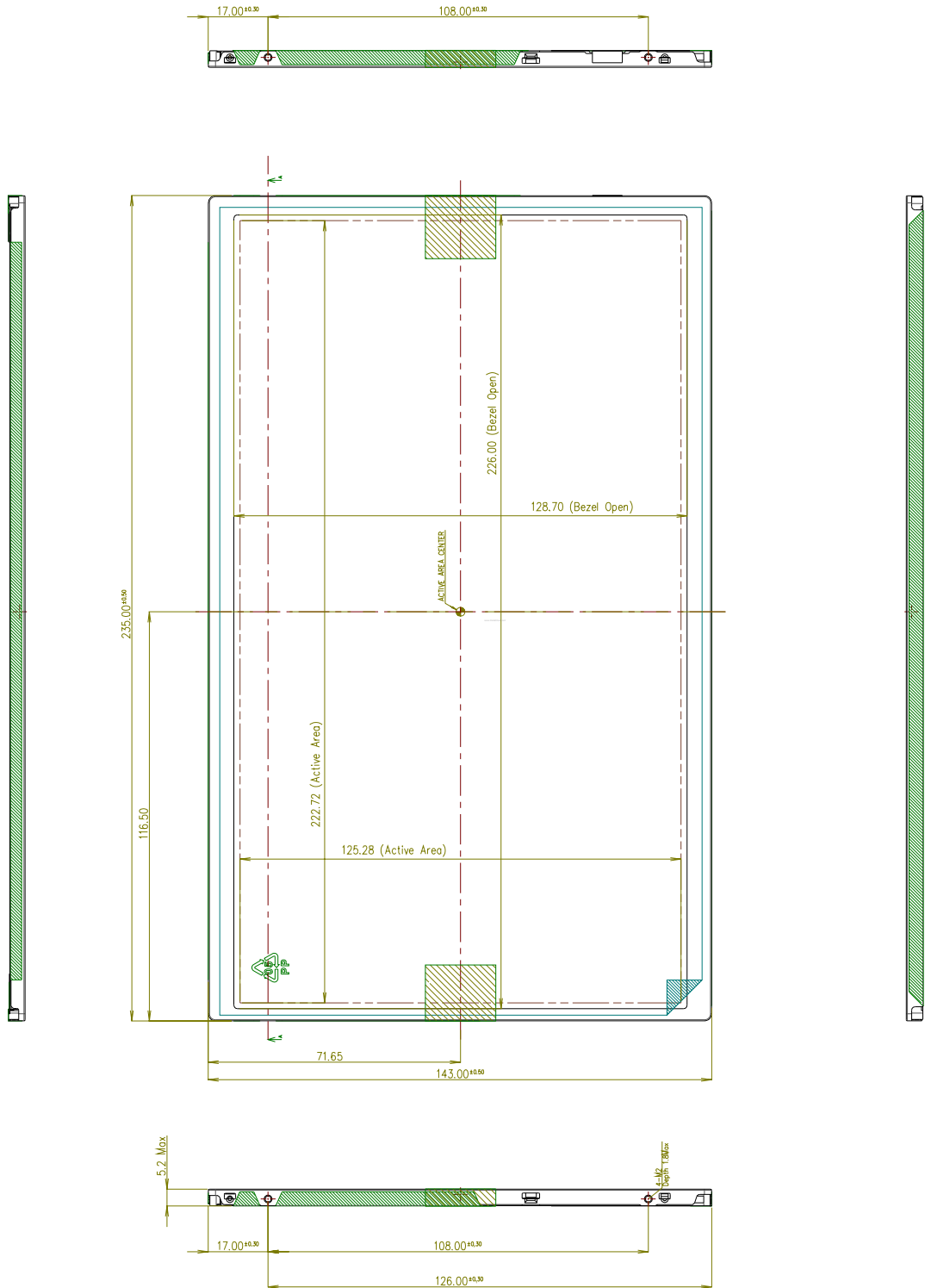
Outline Dimension	Horizontal	235.0 ± 0.5 mm
	Vertical	143.0 ± 0.5 mm
	Thickness	5.2mm (max)
Bezel Area	Horizontal	226.00 mm
	Vertical	128.70 mm
Active Display Area	Horizontal	222.72 mm
	Vertical	125.28 mm
Weight	190g (Max.)	
Surface Treatment	Anti-glare treatment of the front polarizer	



Product Specification

<FRONT VIEW>

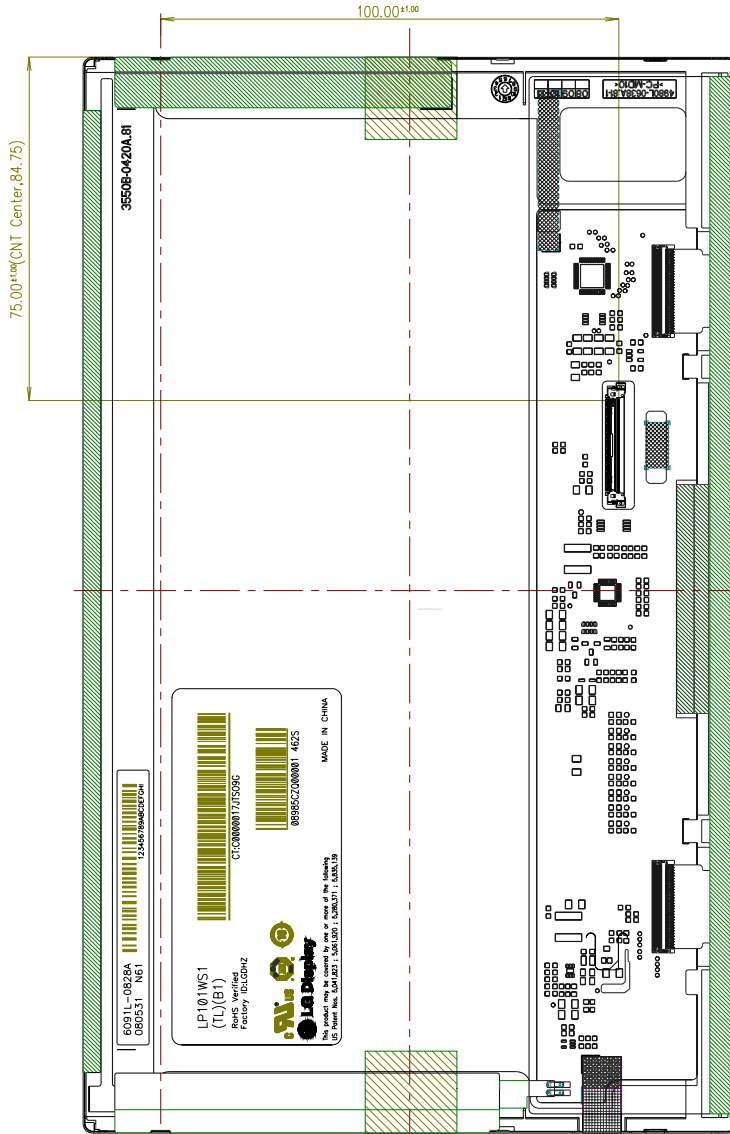
Note) Unit:[mm], General tolerance:  $\pm 0.5$ mm



Product Specification

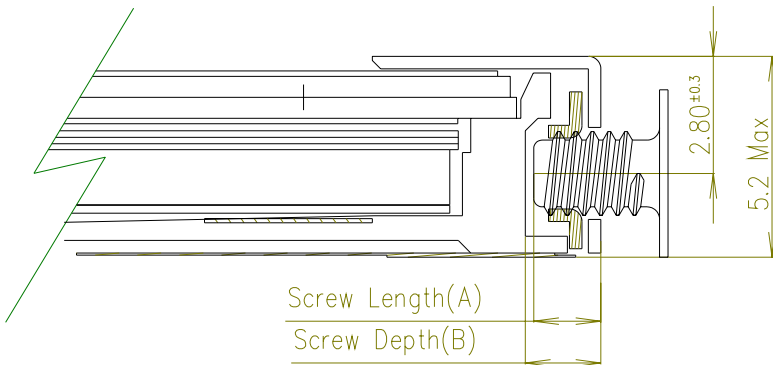
<REAR VIEW>

Note) Unit:[mm], General tolerance:  $\pm 0.5$ mm



Product Specification

[ DETAIL DESCRIPTION OF SIDE MOUNTING SCREW ]



Section A-A

- \* Mounting Screw Length (A)  
= 1.5(Min) / 1.8(Max)
- \* Mounting Screw Hole Depth (B)  
= 1.8(Min)
- \* Mounting hole location : 2.8(typ.)
- \* Torque : 2.0 kgf.cm(Max)  
(Measurement gauge : torque meter)

Notes : 1. Screw plated through the method of non-electrolytic nickel plating is preferred to reduce possibility that results in vertical and/or horizontal line defect due to the conductive particles from screw surface.

## Product Specification

## 6. Reliability

Environment test condition

No.	Test Item	Conditions
1	High temperature storage test	Ta= 60°C, 240h
2	Low temperature storage test	Ta= -20°C, 240h
3	High temperature operation test	Ta= 50°C, 50%RH, 240h
4	Low temperature operation test	Ta= 0°C, 240h
5	Vibration test (non-operating)	Sine wave, 10 ~ 500 ~ 10Hz, 1.5G, 0.37oct/min 3 axis, 1hour/axis
6	Shock test (non-operating)	Half sine wave, 180G, 2ms one shock of each six faces(I.e. run 180G 6ms for all six faces)
7	Altitude operating storage / shipment	0 ~ 10,000 feet (3,048m) 24Hr 0 ~ 40,000 feet (12,192m) 24Hr

{ Result Evaluation Criteria }

There should be no change which might affect the practical display function when the display quality test is conducted under normal operating condition.

## 7. International Standards

### 7-1. Safety

- a) UL 60950-1:2003, First Edition, Underwriters Laboratories, Inc., Standard for Safety of Information Technology Equipment.
- b) CAN/CSA C22.2, No. 60950-1-03 1<sup>st</sup> Ed. April 1, 2003, Canadian Standards Association, Standard for Safety of Information Technology Equipment.
- c) EN 60950-1:2001, First Edition, European Committee for Electrotechnical Standardization(CENELEC) European Standard for Safety of Information Technology Equipment.

### 7-2. EMC

- a) ANSI C63.4 "Methods of Measurement of Radio-Noise Emissions from Low-Voltage Electrical and Electrical Equipment in the Range of 9kHz to 40GHz. "American National Standards Institute(ANSI), 1992
- b) C.I.S.P.R "Limits and Methods of Measurement of Radio Interface Characteristics of Information Technology Equipment." International Special Committee on Radio Interference.
- c) EN 55022 "Limits and Methods of Measurement of Radio Interface Characteristics of Information Technology Equipment." European Committee for Electrotechnical Standardization.(CENELEC), 1998 ( Including A1: 2000 )

Product Specification

## 8. Packing

### 8-1. Designation of Lot Mark

a) Lot Mark

A	B	C	D	E	F	G	H	I	J	K	L	M
---	---	---	---	---	---	---	---	---	---	---	---	---

A,B,C : SIZE(INCH)

E : MONTH

D : YEAR

F ~ M : SERIAL NO.

Note

1. YEAR

Year	2001	2002	2003	2004	2005	2006	2007	2008	2009	2010
Mark	1	2	3	4	5	6	7	8	9	0

2. MONTH

Month	Jan	Feb	Mar	Apr	May	Jun	Jul	Aug	Sep	Oct	Nov	Dec
Mark	1	2	3	4	5	6	7	8	9	A	B	C

b) Location of Lot Mark

Serial No. is printed on the label. The label is attached to the backside of the LCD module.  
This is subject to change without prior notice.

### 8-2. Packing Form

a) Package quantity in one box : 40 pcs

b) Box Size : 395mm × 390mm × 309mm

## 9. PRECAUTIONS

Please pay attention to the followings when you use this TFT LCD module.

### 9-1. MOUNTING PRECAUTIONS

- (1) You must mount a module using holes arranged in four corners or four sides.
- (2) You should consider the mounting structure so that uneven force (ex. Twisted stress) is not applied to the module. And the case on which a module is mounted should have sufficient strength so that external force is not transmitted directly to the module.
- (3) Please attach the surface transparent protective plate to the surface in order to protect the polarizer. Transparent protective plate should have sufficient strength in order to resist external force.
- (4) You should adopt radiation structure to satisfy the temperature specification.
- (5) Acetic acid type and chlorine type materials for the cover case are not desirable because the former generates corrosive gas of attacking the polarizer at high temperature and the latter causes circuit break by electro-chemical reaction.
- (6) Do not touch, push or rub the exposed polarizers with glass, tweezers or anything harder than HB pencil lead. And please do not rub with dust clothes with chemical treatment. Do not touch the surface of polarizer for bare hand or greasy cloth.(Some cosmetics are detrimental to the polarizer.)
- (7) When the surface becomes dusty, please wipe gently with absorbent cotton or other soft materials like chamois soaks with petroleum benzene. Normal-hexane is recommended for cleaning the adhesives used to attach front / rear polarizers. Do not use acetone, toluene and alcohol because they cause chemical damage to the polarizer.
- (8) Wipe off saliva or water drops as soon as possible. Their long time contact with polarizer causes deformations and color fading.
- (9) Do not open the case because inside circuits do not have sufficient strength.

### 9-2. OPERATING PRECAUTIONS

- (1) The spike noise causes the mis-operation of circuits. It should be lower than following voltage :  
 $V = \pm 200\text{mV}$ (Over and under shoot voltage)
- (2) Response time depends on the temperature.(In lower temperature, it becomes longer.)
- (3) Brightness depends on the temperature. (In lower temperature, it becomes lower.)  
And in lower temperature, response time(required time that brightness is stable after turned on) becomes longer.
- (4) Be careful for condensation at sudden temperature change. Condensation makes damage to polarizer or electrical contacted parts. And after fading condensation, smear or spot will occur.
- (5) When fixed patterns are displayed for a long time, remnant image is likely to occur.
- (6) Module has high frequency circuits. Sufficient suppression to the electromagnetic interference shall be done by system manufacturers. Grounding and shielding methods may be important to minimize the interference.

### 9-3. ELECTROSTATIC DISCHARGE CONTROL

Since a module is composed of electronic circuits, it is not strong to electrostatic discharge. Make certain that treatment persons are connected to ground through wrist band etc. And don't touch interface pin directly.

### 9-4. PRECAUTIONS FOR STRONG LIGHT EXPOSURE

Strong light exposure causes degradation of polarizer and color filter.

### 9-5. STORAGE

When storing modules as spares for a long time, the following precautions are necessary.

- (1) Store them in a dark place. Do not expose the module to sunlight or fluorescent light. Keep the temperature between 5°C and 35°C at normal humidity.
- (2) The polarizer surface should not come in contact with any other object.  
It is recommended that they be stored in the container in which they were shipped.

### 9-6. HANDLING PRECAUTIONS FOR PROTECTION FILM

- (1) When the protection film is peeled off, static electricity is generated between the film and polarizer.  
This should be peeled off slowly and carefully by people who are electrically grounded and with well ion-blown equipment or in such a condition, etc.
- (2) The protection film is attached to the polarizer with a small amount of glue. If some stress is applied to rub the protection film against the polarizer during the time you peel off the film, the glue is apt to remain on the polarizer.  
Please carefully peel off the protection film without rubbing it against the polarizer.
- (3) When the module with protection film attached is stored for a long time, sometimes there remains a very small amount of glue still on the polarizer after the protection film is peeled off.
- (4) You can remove the glue easily. When the glue remains on the polarizer surface or its vestige is recognized, please wipe them off with absorbent cotton waste or other soft material like chamois soaked with normal-hexane.



## Product Specification

**APPENDIX A. Enhanced Extended Display Identification Data (EEDID™) 1/3**

	Byte (Dec)	Byte (Hex)	Field Name and Comments	Value (Hex)
<b>Header</b>	0	00	Header	00
	1	01	Header	FF
	2	02	Header	FF
	3	03	Header	FF
	4	04	Header	FF
	5	05	Header	FF
	6	06	Header	FF
	7	07	Header	00
<b>Vendor / Product EDID Version</b>	8	08	EISA manufacture code ( 3 Character ID ) LPL	32
	9	09	EISA manufacture code (Compressed ASCII )	0C
	10	0A	Panel Supplier Reserved - Product Code 0000h	00
	11	0B	( Hex. LSB first )	00
	12	0C	LCD Module Serial No - Preferred but Optional ("0" If not used)	00
	13	0D	LCD Module Serial No - Preferred but Optional ("0" If not used)	00
	14	0E	LCD Module Serial No - Preferred but Optional ("0" If not used)	00
	15	0F	LCD Module Serial No - Preferred but Optional ("0" If not used)	00
	16	10	Week of Manufacture 0 weeks	00
17	11	Year of Manufacture 2008years	12	
18	12	EDID structure version # = 1	01	
19	13	EDID revision # = 3	03	
<b>Display Parameters</b>	20	14	Video input Definition = Digital signal	80
	21	15	Max H image size (Rounded cm) = 30 cm	1E
	22	16	Max V image size (Rounded cm) = 19 cm	13
	23	17	Display gamma = (gamma*100)-100 = Example:(2.2*100)-100=120 = 2.2 Gamma	78
24	18	Feature Support (no_DPMS, no_AutoOff/Very Low Power, RGB color display, Timing BLK 1,no_GTF)	0A	
<b>Panel Color Coordinates</b>	25	19	Red/Green Low Bits (RxRy/GxGy)	8A
	26	1A	Blue/White Low Bits (BxBY/WxWy)	35
	27	1B	Red X Rx = 0.572	92
	28	1C	Red Y Ry = 0.344	58
	29	1D	Green X Gx = 0.338	56
	30	1E	Green Y Gy = 0.545	8B
	31	1F	Blue X Bx = 0.156	28
	32	20	Blue Y By = 0.12	1E
33	21	White X Wx = 0.313	50	
34	22	White Y Wy = 0.329	54	
<b>Established Timings</b>	35	23	Established timing 1 (00h if not used)	00
	36	24	Established timing 2 (00h if not used)	00
	37	25	Manufacturer's timings (00h if not used)	00
<b>Standard Timing ID</b>	38	26	Standard timing ID1 (01h if not used)	01
	39	27	Standard timing ID1 (01h if not used)	01
	40	28	Standard timing ID2 (01h if not used)	01
	41	29	Standard timing ID2 (01h if not used)	01
	42	2A	Standard timing ID3 (01h if not used)	01
	43	2B	Standard timing ID3 (01h if not used)	01
	44	2C	Standard timing ID4 (01h if not used)	01
	45	2D	Standard timing ID4 (01h if not used)	01
	46	2E	Standard timing ID5 (01h if not used)	01
	47	2F	Standard timing ID5 (01h if not used)	01
	48	30	Standard timing ID6 (01h if not used)	01
	49	31	Standard timing ID6 (01h if not used)	01
	50	32	Standard timing ID7 (01h if not used)	01
	51	33	Standard timing ID7 (01h if not used)	01
	52	34	Standard timing ID8 (01h if not used)	01
53	35	Standard timing ID8 (01h if not used)	01	

## Product Specification

**APPENDIX A. Enhanced Extended Display Identification Data (EEDID™) 2/3**

	Byte (Dec)	Byte (Hex)	Field Name and Comments	Value (Hex)
<i>Timing Descriptor #1</i>	54	36	Pixel Clock/10,000 (LSB) <span style="float:right">69.3 MHz @ 59.96Hz</span>	12
	55	37	Pixel Clock/10,000 (MSB)	1B
	56	38	Horizontal Active (lower 8 bits) <span style="float:right">1280 Pixels</span>	00
	57	39	Horizontal Blanking(Thp-HA) (lower 8 bits) <span style="float:right">126 Pixels</span>	7E
	58	3A	Horizontal Active / Horizontal Blanking(Thp-HA) (upper 4:4bits)	50
	59	3B	Vertical Active <span style="float:right">800 Lines</span>	20
	60	3C	Vertical Blanking (Tvp-HA) (DE Blanking typ.for DE only panels) <span style="float:right">22 Lines</span>	16
	61	3D	Vertical Active : Vertical Blanking (Tvp-HA) (upper 4:4bits)	30
	62	3E	Horizontal Sync. Offset (Thfp) <span style="float:right">48 Pixels</span>	30
	63	3F	Horizontal Sync Pulse Width (HSPW) <span style="float:right">32 Pixels</span>	20
	64	40	Vertical Sync Offset(Tvfp) : Sync Width (VSPW) <span style="float:right">3 Lines : 6 Lines</span>	36
	65	41	Horizontal Vertical Sync Offset/Width (upper 2bits)	00
	66	42	Horizontal Image Size (mm) <span style="float:right">304 mm</span>	30
	67	43	Vertical Image Size (mm) <span style="float:right">190 mm</span>	BE
	68	44	Horizontal Image Size / Vertical Image Size	10
69	45	Horizontal Border = 0 (Zero for Notebook LCD)	00	
70	46	Vertical Border = 0 (Zero for Notebook LCD)	00	
71	47	Non-Interlace, Normal display, no stereo, Digital Separate ( Vsync_NEG, Hsync_NEG), DE only note : LSB is set to '1' if panel is DE-timing only. H/V can be ignored.	19	
<i>Timing Descriptor #2</i>	72	48	Flag	00
	73	49	Flag	00
	74	4A	Flag	00
	75	4B	Data Type Tag (Descriptor Defined by manufacturer)	00
	76	4C	Flag	00
	77	4D	Descriptor Defined by manufacturer	00
	78	4E	Descriptor Defined by manufacturer	00
	79	4F	Descriptor Defined by manufacturer	00
	80	50	Descriptor Defined by manufacturer	00
	81	51	Descriptor Defined by manufacturer	00
	82	52	Descriptor Defined by manufacturer	00
	83	53	Descriptor Defined by manufacturer	00
	84	54	Descriptor Defined by manufacturer	00
	85	55	Descriptor Defined by manufacturer	00
	86	56	Descriptor Defined by manufacturer	00
	87	57	Descriptor Defined by manufacturer	00
	88	58	Descriptor Defined by manufacturer	00
89	59	Descriptor Defined by manufacturer	00	
<i>Timing Descriptor #3</i>	90	5A	Flag	00
	91	5B	Flag	00
	92	5C	Flag	00
	93	5D	Data Type Tag ( ASCII String )	FE
	94	5E	Flag	00
	95	5F	ASCII String <span style="float:right">L</span>	4C
	96	60	ASCII String <span style="float:right">G</span>	47
	97	61	ASCII String <span style="float:right">P</span>	50
	98	62	ASCII String <span style="float:right">h</span>	68
	99	63	ASCII String <span style="float:right">i</span>	69
	100	64	ASCII String <span style="float:right">l</span>	6C
	101	65	ASCII String <span style="float:right">i</span>	69
	102	66	ASCII String <span style="float:right">p</span>	70
	103	67	ASCII String <span style="float:right">s</span>	73
	104	68	ASCII String <span style="float:right">L</span>	4C
105	69	ASCII String <span style="float:right">C</span>	43	
106	6A	ASCII String <span style="float:right">D</span>	44	
107	6B	Manufacturer P/N(If<13 char--> 0Ah, then terminate with ASC code 0Ah,set remaining char = 20h)	0A	

## Product Specification

**APPENDIX A. Enhanced Extended Display Identification Data (EEDID™) 3/3**

	Byte (Dec)	Byte (Hex)	Field Name and Comments	Value (Hex)
<b>Timing Descriptor #4</b>	108	6C	Flag	00
	109	6D	Flag	00
	110	6E	Flag	00
	111	6F	Data Type Tag ( ASCII String )	FE
	112	70	Flag	00
	113	71	ASCII String L	4C
	114	72	ASCII String P	50
	115	73	ASCII String 1	31
	116	74	ASCII String 4	34
	117	75	ASCII String 1	31
	118	76	ASCII String W	57
	119	77	ASCII String X	58
	120	78	ASCII String 5	35
	121	79	ASCII String -	2D
	122	7A	ASCII String T	54
123	7B	ASCII String L	4C	
124	7C	ASCII String A	41	
125	7D	ASCII String 1	31	
<b>Checksum</b>	126	7E	Extension flag (# of optional 128 panel ID extension block to follow, Typ = 0)	00
	127	7F	Check Sum (The 1-byte sum of all 128 bytes in this panel ID block shall = 0)	63

TBD