

10/100Base-T Single Port Transformer Modules

Link-PP Int'l Technology

- ✧ With various turns ratios
- ✧ Meets IEEE 802.3 and ANSI X3.263 standards, including 350 μ H OCL with 8 mA bias
- ✧ For RoHS part add suffix NL*
- ✧ RoHS NL peak solder rating 235°C



Electrical Specifications @25°C --- Operating Temperature 0°C to 70°C

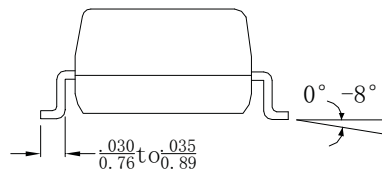
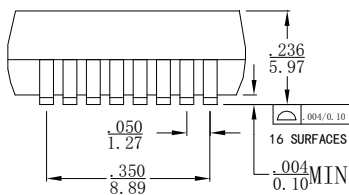
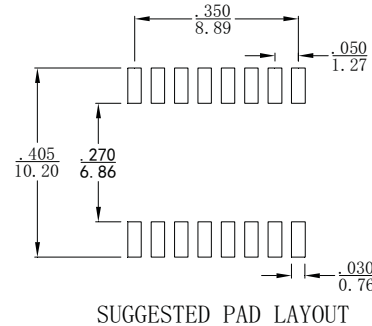
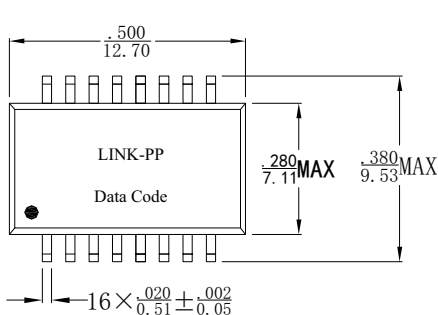
Part Number	Turns Ratio		Insertion Loss 100KHz ---100MHz (dB MAX)	Return Loss (dB TYP)			Differential to Common Mode Rejection (dB TYP)			Crosstalk (dB TYP)			Hipot (Vrms MIN)
	TX	RX		30MHz	60MHz	80MHz	30MHz	50MHz	100 MHz	30MHz	60MHz	100MHz	
LP1100	2:1	1:1	-1.1	-20	-14	-11.5	-42	-37	-33	-45	-40	-35	1500
LP1101	1.25:1	1:1	-1.1	-20	-14	-11.5	-42	-37	-33	-45	-40	-35	1500
LP1102	1:1	1:1	-1.1	-20	-14	-11.5	-42	-37	-33	-45	-40	-35	1500
LP1104	1:1	1:1	-1.0	-20	-14	-14	-42	-35	-33	-50	-40	-40	1500
LP1108	1:1	1:1	-1.1	-20	-14	-11.5	-42	-37	-33	-45	-40	-35	1500
LP1121	1:1.414	1:1	-1.1	-18	-12	-11.5	-42	-37	-30	-45	-40	-35	1500
LP1141	1:1	1:1	-1.0	-18	-13	-12	-50	-40	-35	-50	-40	-35	1500
LP1183	1:1	1:1	-1.0	-18	-14	-12	-40	-40	-40	-35	-35	-35	1500
LP1199	1:1	1:1	-0.9	-18	-12	-11	-40	-35	-30	-45	-45	-37	1500
LP1011	1:1	1:1	-1.1	-18	-12	-11	-40	-40	-35	-50	-40	-35	1500
LP9016	1:1	1:1	-1.0	-16	-12	-10	-42	-37	-35	-45	-40	-35	1500
LP1188*	1:1	1:1	-1.0	-20	-14	-12	-42	-37	-32	-45	-40	-35	1500
LP1198*	1:1	1:1	-1.0	-20	-14	-12	-42	-37	-32	-45	-40	-35	1500

*.Add suffix NL for RoHS compliant, eg: LP1102 changes to LP1102NL

*.Operating temperature -40°C to +85°C

Mechanicals

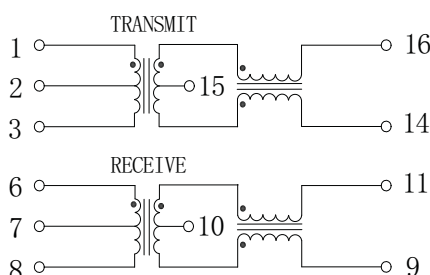
LP110X, LP112X, LP1183, LP1199, LP1141, LP1011, LP9016, LP1188, LP1198



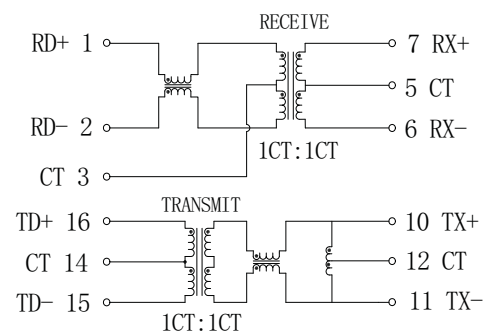
Dimensions: $\frac{\text{Inches}}{\text{mm}}$
Unless otherwise specified,
all tolerances are ± 0.25

Schematics

LP1100, LP1101, LP1102, LP1121, LP1188



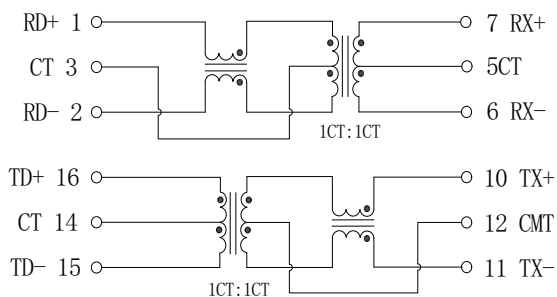
LP1104



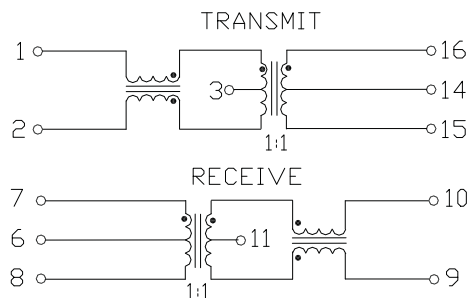
10/100Base-T Single Port Transformers Modules

Link-PP Int'l Technology

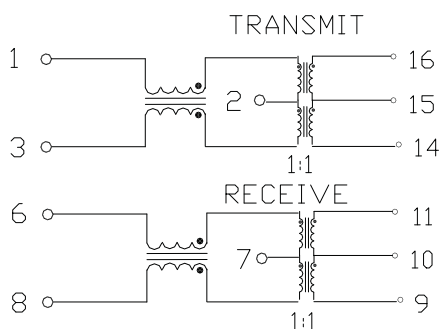
LP1108



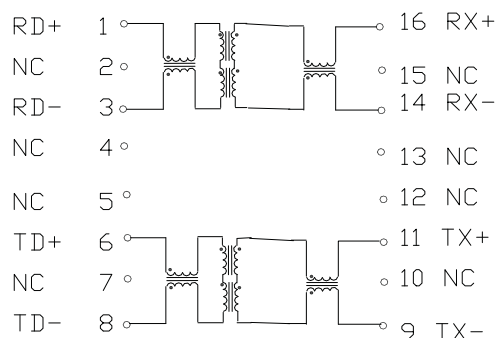
LP1199



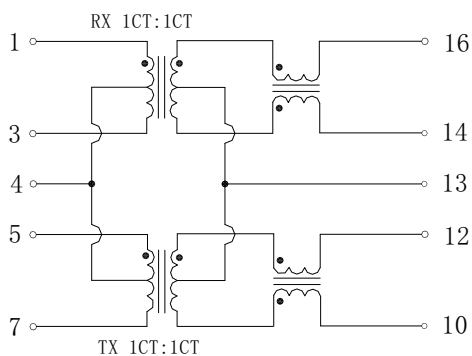
LP1198, LP1183



LP1141



LP1011



LP9016

