

10/100Base-TX Quad Port Transformer Modules

Link-PP Int'l Technology

- ※ Symmetrical TX and RX Channels For Auto MDI/MDIX capability
- ※ Approved for use with the Broadcom BCM5226 and Level One LXT9784
- ※ Compliant with IEEE 802.3u and ANSI X3.263 standards including 350 uH OCL with 8 Ma bias
- ※ For RoHS part add suffix NL
- ※ RoHS NL peak solder rating 235°C



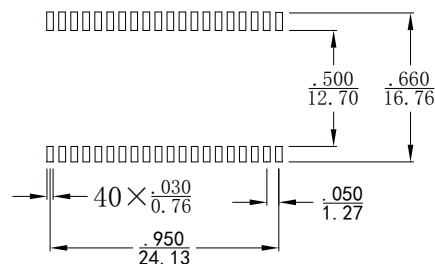
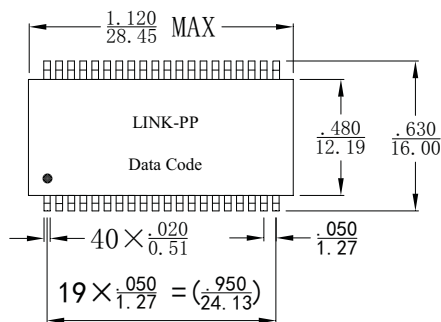
Electrical Specifications @25°C --- Operating Temperature 0°C to 70°C

Part Number	Insertion Loss (dB MAX)	Return Loss (dB MIN)				Crosstalk (dB MIN)				Differential to Common Mode Rejection (dB TYP)		Hipot (Vrms)
		0.1-100MHz	2-30 MHz	40 MHz	50 MHz	60-80 MHz	1 KHz	30 MHz	60 MHz	100 MHz	1-60MHz	
LP1140	-1.0	-18	-14.4	-13.1	-12	-65	-50	-40	-35	-40	-35	1500
LP1164	-1.0	-18	-14.4	-13.1	-12	-55	-45	-40	-33	-37	-25	1500
LP1234 ¹	-1.4	-18	-14.4	-13.1	-12	-55	-45	-40	-33	-37	-25	1500
LP1240 ¹	-1.0	-16.5	-16	-15.5	-12	-60	-43	-38	-33	-43	-27	1500

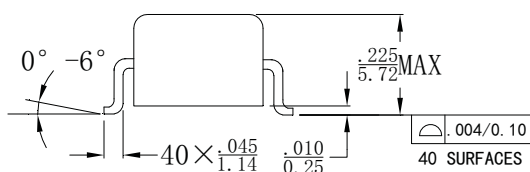
1. Operating Temperature -40°C to +85°C

Mechanicals

LP1140, LP1164, LP1234, LP1240



SUGGESTED PAD LAYOUT



Dimensions: $\frac{\text{Inches}}{\text{mm}}$

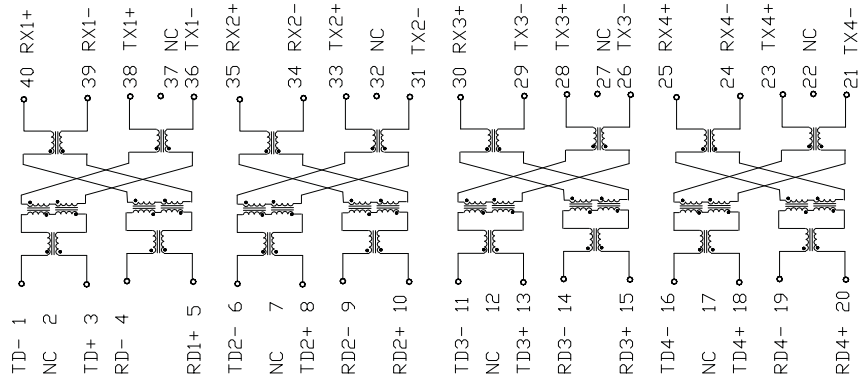
Unless otherwise specified, all tolerances are ± 0.010

10/100Base-TX Quad Port Transformer Modules

Link-PP Int'l Technology

Schematics

LP1140,LP1240



LP1164,LP1234

