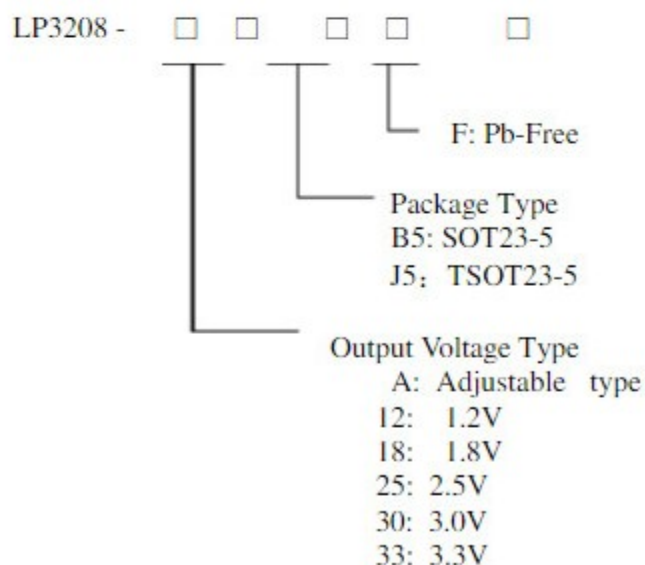


1.5MHZ,1500mA,Duty 100%,High Efficiency Synchronous PWM Step-Down DC/DC Convert with Soft-start

General Description

The LP3208 is a constant frequency, current mode, PWM step-down converter. The device integrates a main switch and a synchronous rectifier for high efficiency. The 2.5V to 6.5V input voltage range makes the LP3208 is ideally suited for portable electronic devices that are powered from 1-cell Li-ion battery or from other power sources within the range such as cellular phones, PDAs and handy-terminals. Internal synchronous rectifier with low RDS(ON) dramatically reduces conduction loss at PWM mode. The internal synchronous switch increases efficiency while eliminate the need for an external Schottky diode. The switching ripple is easily smoothed-out by small package filtering elements due to a fixed operation frequency of 1.5MHz. This along with small SOT-23-5 package provide small PCB area application. Other features include soft start, lower internal reference voltage with 2% accuracy, over temperature protection, and over current protection.

Ordering Information



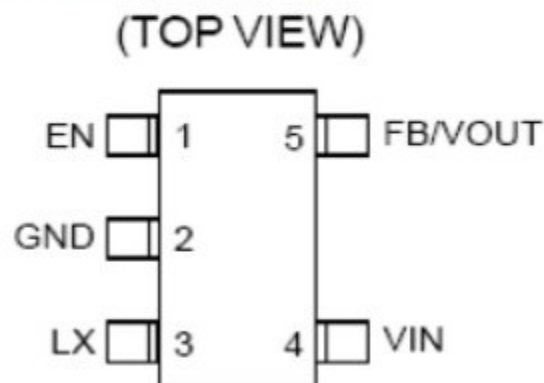
Features

- ◆ High Efficiency: 96%
- ◆ 1.5MHz Fixed-Frequency PWM Operation
- ◆ Adjustable Output From 0.6V to VIN
- ◆ 1.2V, 1.8V, 2.5V, 2.8V and 3.3V Fixed
- ◆ 1.0A Output Current, 1.5A Peak Current
- ◆ No Schottky Diode Required
- ◆ 100% Duty Cycle Low Dropout Operation
- ◆ Available in SOT23-5/TSOT23-5 Package
- ◆ Short Circuit and Thermal Protection
- ◆ Over Voltage Protection
- ◆ Low than 1 μ A Shutdown Current

Applications

- ◇ Portable Media Players/MP3 players
- ◇ Cellular and Smart mobile phone
- ◇ PDA
- ◇ DSC
- ◇ Wireless Card

Pin Configurations



Marking Information

Please see website.

Typical Application Circuit

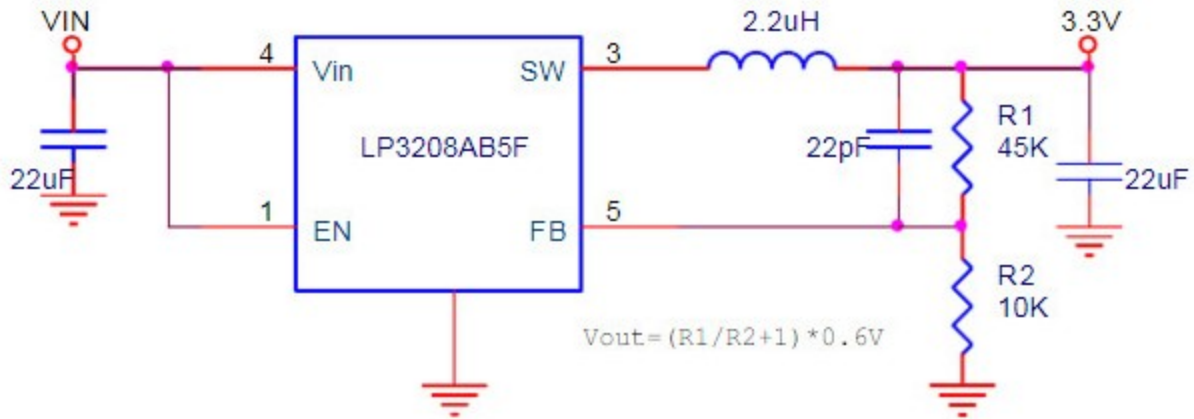


Figure1: LP3208 typical application circuit of 3.3V

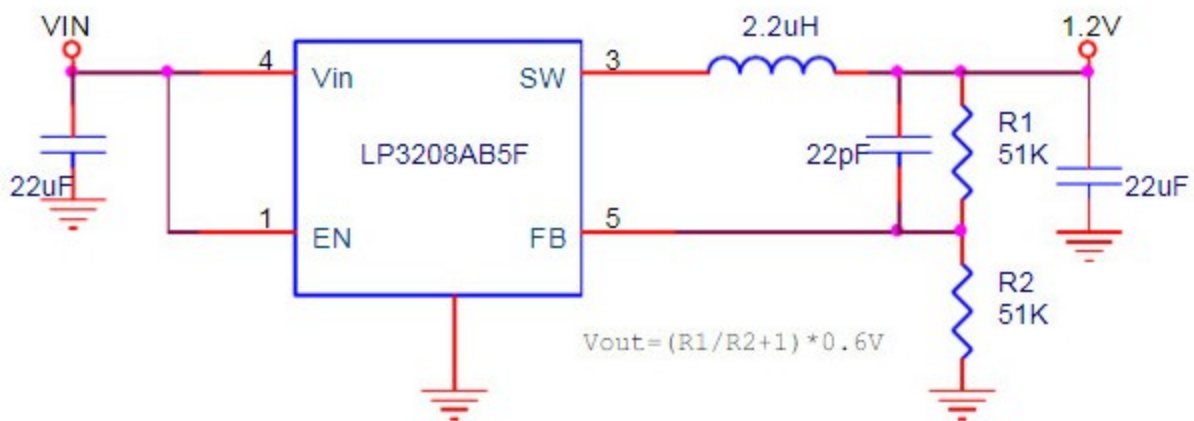


Figure2: LP3208 typical application circuit of 1.2V

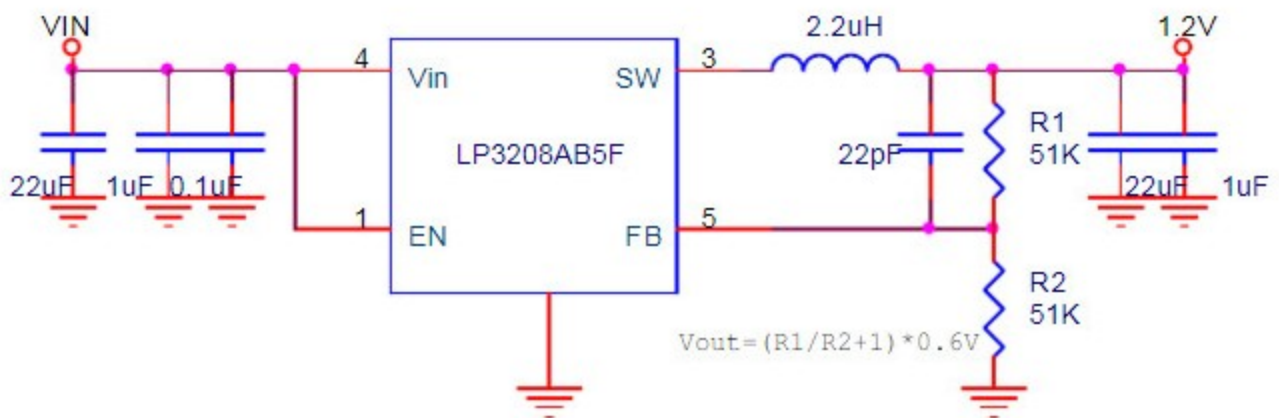


Figure3: LP3208 for RF Module application

Functional Pin Description

Pin Number	Pin Name	Pin Function
1	EN	Chip Enable(Active High).
2	GND	Ground.
3	LX	Pin For Switching
4	VIN	Power Input
5	FB/Vout	Feedback Input Pin,Reference voltage is 0.6 V

Function Block Diagram

