

## LP5550 PowerWise™ Technology Compliant Energy Management Unit

Check for Samples: [LP5550](#)

### FEATURES

- Supports High-Efficiency PowerWise Technology Adaptive Voltage Scaling
- PWI Open Standard Interface for System Power Management
- Digitally Controlled Intelligent Voltage Scaling
- 1 MHz PWM Switching Frequency
- Auto or PWI Controlled PFM Mode Transition
- Internal Soft Start/Startup Sequencing
- 3 Programmable LDOs for I/O, PLL, and Memory Retention Supply Generation
- Power OK Output

### APPLICATIONS

- GSM/GPRS/EDGE & UMTS Cellular Handsets
- Hand-Held Radios
- PDAs
- Battery Powered Devices
- Portable Instruments

### DESCRIPTION

The LP5550 is a PWI 1.0 compliant Energy Management System for reducing power consumption of stand-alone mobile phone processors such as base-band or applications processors.

The LP5550 contains an advanced, digitally controlled switching regulator for supplying variable voltage to processor core and memory. The device also incorporates 3 programmable LDO-regulators for powering I/O, PLLs and maintaining memory retention in shutdown-mode.

The device is controlled via the PWI open-standard interface. The LP5550 operates cooperatively with PowerWise technology compatible processors to optimize supply voltages adaptively over process and temperature variations or dynamically using frequency/voltage pre-characterized look-up tables.

### System Diagram

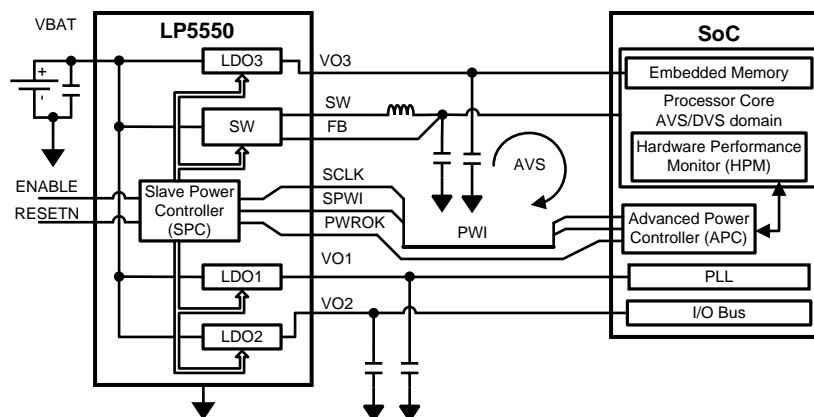


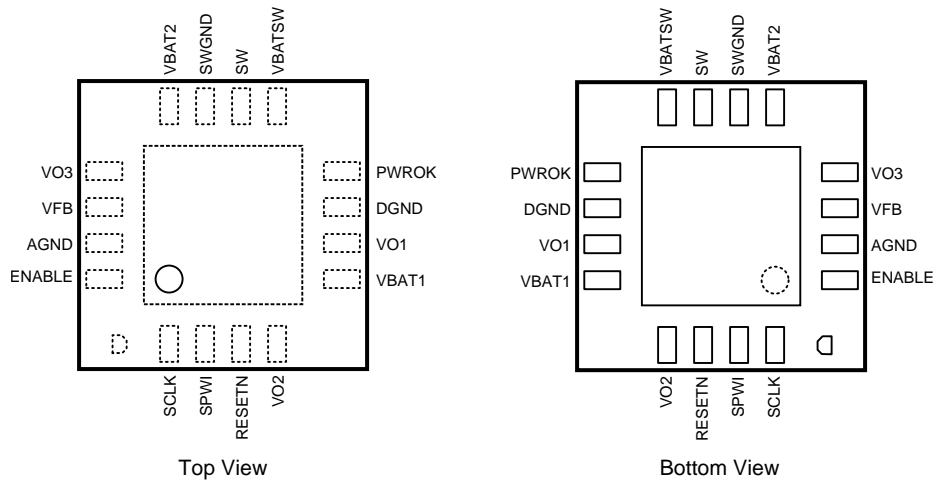
Figure 1. System Diagram



Please be aware that an important notice concerning availability, standard warranty, and use in critical applications of Texas Instruments semiconductor products and disclaimers thereto appears at the end of this data sheet.

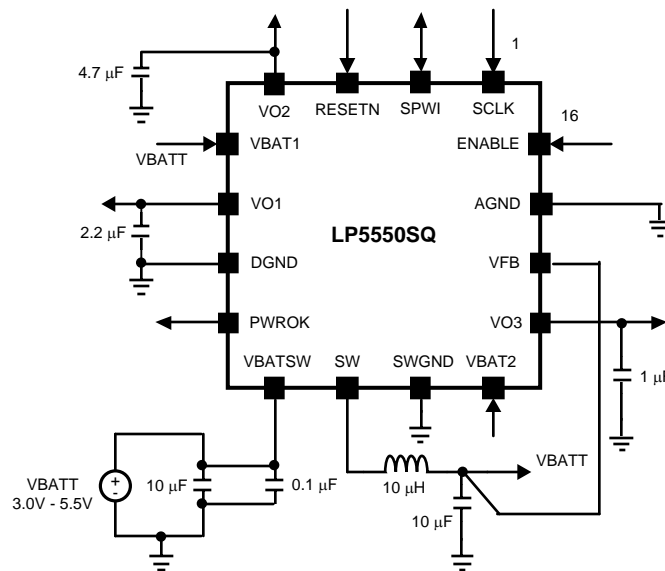
All trademarks are the property of their respective owners.

### Connection Diagrams



**Figure 2. 16-Pin WQFN Package**  
See Package Number RGH0016A

### Typical Application



**Figure 3. Typical Application Circuit**

### Pin Descriptions

Pin No.	Name	I/O	Type	Description
1	SCLK	I	D	PowerWise Interface (PWI) clock input
2	SPWI	I/O	D	PowerWise Interface (PWI) bi-directional data
3	RESETN	I	D	Reset, active low
4	VO2	O	A	LDO2 output, for supplying the I/O voltage on the SoC
5	VBAT1	P	P	Battery supply voltage
6	VO1	O	A	LDO1 output, for supplying a fixed voltage to a PLL etc. on the SoC
7	DGND	G	G	Digital ground
8	PWROK	O	D	Power OK, active high output signal

**Pin Descriptions (continued)**

Pin No.	Name	I/O	Type	Description
9	VBATSW	P	P	Battery supply voltage for switching regulator
10	SW	O	A	Switcher pin connected to coil
11	SWGND	G	G	Switcher ground
12	VBAT2	P	P	Battery supply voltage
13	VO3	O	A	LDO3 output, on-chip memory supply voltage
14	VFB	I	A	Switcher output voltage for supplying SoC core logic
15	AGND	G	G	Analog Ground
16	ENABLE	I	D	Enable, active high

A: Analog Pin

D: Digital Pin

I: Input Pin

O: Output Pin

I/O: Input/Output Pin

P: Power Pin

G: Ground Pin



These devices have limited built-in ESD protection. The leads should be shorted together or the device placed in conductive foam during storage or handling to prevent electrostatic damage to the MOS gates.

**Absolute Maximum Ratings<sup>(1)(2)(3)(4)</sup>**

VBAT1, VBAT2, VBATSW	-0.3 to +6.0V
VO1, VO2, VO3 to GND	-0.3 to +VBAT1+0.3V
ENABLE, RESETN, VFB, SW, SPWI, SCLK, PWROK	-0.3 to VBAT2+0.3V
DGND, AGND, SWGND to GND SLUG	±0.3V
Junction Temperature (T <sub>J-MAX</sub> )	150°C
Storage Temperature Range	-65°C to 150°C
Maximum Continuous Power Dissipation (PD-MAX) <sup>(5)</sup>	1.0 W
Maximum Lead Temperature (Soldering)	See <sup>(5)</sup>
ESD Rating <sup>(6)</sup>	Human Body Model
	All pins
	2.0kV

- (1) Absolute Maximum Ratings indicate limits beyond which damage to the component may occur. Operating Ratings are conditions under which operation of the device is ensured. Operating Ratings do not imply ensured performance limits. For ensured performance limits and associated test conditions, see the Electrical Characteristics tables.
- (2) All voltages are with respect to the potential at the GND pin.
- (3) If Military/Aerospace specified devices are required, please contact the Texas Instruments Sales Office/Distributors for availability and specifications.
- (4) For detailed soldering specifications and information, please refer to Application Note AN-1187 : Leadless Leadframe Package (LLP) ([SNOA401](#)).
- (5) The amount of Absolute Maximum power dissipation allowed for the device depends on the ambient temperature and can be calculated using the formula  $P = (T_J - T_A) / \theta_{JA}$ , (1) where T<sub>J</sub> is the junction temperature, T<sub>A</sub> is the ambient temperature, and J<sub>A</sub> is the junction-to-ambient thermal resistance. Junction-to-ambient thermal resistance is highly application and board-layout dependent. In applications where high maximum power dissipation exists, special care must be paid to thermal dissipation issues in board design. Internal thermal shutdown circuitry protects the device from permanent damage. Thermal shutdown engages at T<sub>J</sub>=150°C (typ.) and disengages at T<sub>J</sub>=140°C (typ.).
- (6) The Human body model is a 100 pF capacitor discharged through a 1.5 kΩ resistor into each pin.

## Operating Ratings<sup>(1)(2)</sup>

VBAT1, VBAT2, VBATSW	3.0V to 5.5V
Junction Temperature (T <sub>J</sub> ) Range	-40°C to +125°C
Ambient Temperature (T <sub>A</sub> ) Range <sup>(3)</sup>	-40°C to +85°C

- (1) Absolute Maximum Ratings indicate limits beyond which damage to the component may occur. Operating Ratings are conditions under which operation of the device is ensured. Operating Ratings do not imply ensured performance limits. For ensured performance limits and associated test conditions, see the Electrical Characteristics tables.
- (2) All voltages are with respect to the potential at the GND pin.
- (3) In applications where high power dissipation and/or poor package thermal resistance is present, the maximum ambient temperature may have to be derated. Maximum ambient temperature (TA-MAX) is dependent on the maximum operating junction temperature (TJ-MAX-OP = 125°C), the maximum power dissipation of the device in the application (PD-MAX), and the junction-to ambient thermal resistance of the part/package in the application (θ<sub>JA</sub>), as given by the following equation: TA-MAX = TJ-MAX-OP – (θ<sub>JA</sub> × PD-MAX).

## Thermal Properties<sup>(4)</sup>

Junction-to-Ambient Thermal Resistance (θ <sub>JA</sub> )	39.8°C/W
---	----------

- (4) Junction-to-ambient thermal resistance (θ<sub>JA</sub>) is taken from a thermal modeling result, performed under the conditions and guidelines set forth in the JEDEC standard JESD51-7. The test board is a 4-layer FR-4 board measuring 102mm x 76mm x 1.6mm with a 2x1 array of thermal vias. The ground plane on the board is 50mm x 50mm. Thickness of copper layers are 36µm/18µm/18µm/36µm (1.5oz/1oz/1oz/1.5oz). Ambient temperature in simulation is 22°C, still air. Power dissipation is 1W. Junction-to-ambient thermal resistance is highly application and board-layout dependent. In applications where high maximum power dissipation exists, special care must be paid to thermal dissipation issues in board design. The value of θ<sub>JA</sub> of this product can vary significantly, depending on PCB material, layout, and environmental conditions. In applications where high maximum power dissipation exists (high VIN, high IOUT), special care must be paid to thermal dissipation issues. For more information on these topics, please refer to Application Note AN-1187: Leadless Leadframe Package (LLP) (SNOA401) and the Power Efficiency and Power Dissipation section of this datasheet.

## General Electrical Characteristics

Unless otherwise noted, V<sub>BAT1,2,SW</sub>, RESETN, ENABLE = 3.6V. Typical values and limits appearing in normal type apply for T<sub>J</sub> = 25°C. Limits appearing in boldface type apply over the entire junction temperature range for operation, -40 to +125°C<sup>(1)(2)(3)</sup>

Symbol	Parameter	Conditions	Min	Typ	Max	Unit
I <sub>Q</sub>	Shutdown Supply current	V <sub>BAT1,2,SW</sub> = 2.0V, all circuits off.		1	<b>6</b>	µA
	Sleep State Supply Current	V <sub>BAT1,2,SW</sub> = 3.6V, LDO3 (V <sub>O3</sub> ) on, PWI on. All other circuits off.		70	<b>85</b>	µA
	Active State Supply Current (No load, PFM mode)	V <sub>BAT1,2,SW</sub> = 3.6V, LDOs 1 and 2 on, Switcher on, PWI on.		140	<b>165</b>	µA
T <sub>SD</sub>	Thermal Shutdown Threshold			160		°C
	Thermal Shutdown Hysteresis			10		

- (1) All voltages are with respect to the potential at the GND pin.
- (2) Min and Max limits are ensured by design, test, or statistical analysis. Typical (Typ) numbers are not specified, but do represent the most likely norm. Unless otherwise specified, conditions for Typ specifications are: VIN = 3.6V and TA = 25°C control.
- (3) Capacitors: Low-ESR Surface-Mount Ceramic Capacitors are (MLCCs) used in setting electrical characteristics

## LDO1 (PLL/Fixed Voltage) Characteristics

Unless otherwise noted, V<sub>BAT1,2,SW</sub>, RESETN, ENABLE = 3.6V. Typical values and limits appearing in normal type apply for T<sub>J</sub> = 25°C. Limits appearing in boldface type apply over the entire junction temperature range for operation, -40 to +125°C<sup>(1)(2)(3)</sup>

Symbol	Parameter	Conditions	Min	Typ	Max	Unit
V <sub>OUT</sub> Accuracy	Output Voltage Accuracy	1mA ≤ I <sub>OUT</sub> ≤ 100mA, V <sub>OUT</sub> = 1.2V, 3.0V ≤ V <sub>BAT1,2,SW</sub> ≤ 5.5V	<b>-3%</b>	1.2	<b>3%</b>	V
V <sub>OUT</sub> Range	Programmable Output Voltage Range	0µA ≤ I <sub>OUT</sub> ≤ 100mA, Programming Resolution = 100mV	0.7	1.2	2.2	V
I <sub>OUT</sub>	Recommended Output Current	3.0V ≤ V <sub>BAT1,2,SW</sub> ≤ 5.5V		100		mA
	Short Circuit Current Limit	V <sub>OUT</sub> = 0V			<b>350</b>	
I <sub>Q</sub>	Quiescent Current	I <sub>OUT</sub> = 0mA <sup>(4)</sup>		35	<b>45</b>	µA

- (1) All voltages are with respect to the potential at the GND pin.
- (2) Min and Max limits are ensured by design, test, or statistical analysis. Typical (Typ) numbers are not specified, but do represent the most likely norm. Unless otherwise specified, conditions for Typ specifications are: VIN = 3.6V and TA = 25°C control.
- (3) Capacitors: Low-ESR Surface-Mount Ceramic Capacitors are (MLCCs) used in setting electrical characteristics
- (4) Quiescent current for LDO1, LDO2, and LDO3 do not include shared functional blocks such as the bandgap reference.

### LDO1 (PLL/Fixed Voltage) Characteristics (continued)

Unless otherwise noted,  $V_{BAT1,2,SW}$ , RESETN, ENABLE = 3.6V. Typical values and limits appearing in normal type apply for  $T_J = 25^\circ\text{C}$ . Limits appearing in boldface type apply over the entire junction temperature range for operation,  $-40$  to  $+125^\circ\text{C}$ <sup>(1)(2)(3)</sup>

Symbol	Parameter	Conditions	Min	Typ	Max	Unit
$\Delta V_{OUT}$	Line Regulation	$3.0\text{V} \leq V_{BAT1,2,SW} \leq 5.5\text{V}$ , $I_{OUT} = 50\text{mA}$	<b>-0.125</b>		<b>0.125</b>	%/V
	Load Regulation	$V_{IN} = 3.6\text{V}$ , $1\text{mA} \leq I_{OUT} \leq 100\text{mA}$	<b>-0.0085</b>		<b>0.0085</b>	%/mA
	Line Transient Regulation	$3.6\text{V} \leq V_{IN} \leq 3.9\text{V}$ , $T_{RISE,FALL} = 10 \mu\text{s}$		27		mV
	Load Transient Regulation	$V_{IN} = 3.6\text{V}$ , $10\text{mA} \leq I_{OUT} \leq 90 \text{mA}$ , $T_{RISE,FALL} = 100 \text{ns}$		86		mV
eN	Output Noise Voltage	$10\text{Hz} \leq f \leq 100\text{kHz}$ , $C_{OUT} = 2.2\mu\text{F}$		0.103		mVRMS
PSRR	Power Supply Ripple Rejection Ratio	$f = 1\text{kHz}$ , $C_{OUT} = 2.2\mu\text{F}$		56		dB
		$f = 10\text{kHz}$ , $C_{OUT} = 2.2\mu\text{F}$		36		dB
$C_{OUT}$	Output Capacitance Output Capacitor ESR	$0\mu\text{A} \leq I_{OUT} \leq 100\text{mA}$	1	2.2	20	$\mu\text{F}$
			5		500	m $\Omega$
$t_{START-UP}$	Start-Up Time from Shut-down	$C_{OUT} = 1\mu\text{F}$ , $I_{OUT} = 100\text{mA}$		54		$\mu\text{s}$

### LDO2 (I/O Voltage) Characteristics

Unless otherwise noted,  $V_{BAT1,2,SW}$ , RESETN, ENABLE = 3.6V. Typical values and limits appearing in normal type apply for  $T_J = 25^\circ\text{C}$ . Limits appearing in boldface type apply over the entire junction temperature range for operation,  $-40$  to  $+125^\circ\text{C}$ <sup>(1)(2)(3)</sup>

Symbol	Parameter	Conditions	Min	Typ	Max	Unit
$V_{OUT}$ Accuracy	Output Voltage Accuracy	$1\text{mA} \leq I_{OUT} \leq 250\text{mA}$ , $V_{OUT} = 2.5\text{V}$ , $V_{OUT} + 0.4\text{V} \leq V_{BAT1,2,SW} \leq 5.5\text{V}$	<b>-3%</b>	2.5	<b>3%</b>	V
$V_{OUT}$ Range	Programmable Output Voltage Range	$0\mu\text{A} \leq I_{OUT} \leq 250\text{mA}$ , $1.5\text{-}2.3\text{V} = 100\text{mV}$ step, 2.5V, 2.8V, 3.0V and 3.3V	1.5	3.3	3.3	V
$I_{OUT}$	Recommended Output Current	$V_{OUT} + 0.4\text{V} \leq V_{BAT1,2,SW} \leq 5.5\text{V}$		250		mA
	Output Current Limit	$V_{OUT} = 0\text{V}$			<b>740</b>	
	Dropout Voltage <sup>(4)</sup>	$I_{OUT} = 125\text{mA}$		70	<b>260</b>	mV
$I_Q$	Quiescent Current	$I_{OUT} = 0\text{mA}$ <sup>(5)</sup>		55	<b>60</b>	$\mu\text{A}$
$\Delta V_{OUT}$	Line Regulation	$V_{OUT} + 0.4\text{V} \leq V_{BAT1,2,SW} \leq 5.5\text{V}$ , $I_{OUT} = 125\text{mA}$	<b>-0.125</b>		<b>0.125</b>	%/V
	Load Regulation	$V_{IN} = 3.6\text{V}$ , $1\text{mA} \leq I_{OUT} \leq 250\text{mA}$	<b>-0.011</b>		<b>0.011</b>	%/mA
	Line Transient Regulation	$3.6\text{V} \leq V_{IN} \leq 3.9\text{V}$ , $T_{RISE,FALL} = 10 \mu\text{s}$		24		mV
	Load Transient Regulation	$V_{IN} = 3.6\text{V}$ , $25\text{mA} \leq I_{OUT} \leq 225 \text{mA}$ , $T_{RISE,FALL} = 100 \text{ns}$		246		mV
eN	Output Noise Voltage	$10\text{Hz} \leq f \leq 100\text{kHz}$ , $C_{OUT} = 4.7\mu\text{F}$		0.120		mVRMS
PSRR	Power Supply Ripple Rejection Ratio	$f = 1\text{kHz}$ , $C_{OUT} = 4.7\mu\text{F}$		46		dB
		$f = 10\text{kHz}$ , $C_{OUT} = 4.7\mu\text{F}$		34		
$C_{OUT}$	Output Capacitance Output Capacitor ESR	$0\mu\text{A} \leq I_{OUT} \leq 250\text{mA}$	2	4.7	20	$\mu\text{F}$
			5		500	m $\Omega$
$t_{START-UP}$	Start-Up Time from Shut-down	$C_{OUT} = 4.7\mu\text{F}$ , $I_{OUT} = 250\text{mA}$		144		$\mu\text{s}$

- (1) All voltages are with respect to the potential at the GND pin.
- (2) Min and Max limits are ensured by design, test, or statistical analysis. Typical (Typ) numbers are not specified, but do represent the most likely norm. Unless otherwise specified, conditions for Typ specifications are:  $V_{IN} = 3.6\text{V}$  and  $T_A = 25^\circ\text{C}$  control.
- (3) Capacitors: Low-ESR Surface-Mount Ceramic Capacitors are (MLCCs) used in setting electrical characteristics
- (4) Dropout voltage is the input-to-output voltage difference at which the output voltage is 100mV below its nominal value. This specification does not apply in cases it implies operation with an input voltage below the 3.0V minimum appearing under Operating Ratings. For example, this specification does not apply for devices having 1.5V outputs because the specification would imply operation with an input voltage at or about 1.5V
- (5) Quiescent current for LDO1, LDO2, and LDO3 do not include shared functional blocks such as the bandgap reference.

## LDO3 (Memory Retention Voltage) Characteristics

Unless otherwise noted,  $V_{BAT1,2,SW}$ , RESETN, ENABLE = 3.6V. Typical values and limits appearing in normal type apply for  $T_J = 25^\circ\text{C}$ . Limits appearing in boldface type apply over the entire junction temperature range for operation, -40 to  $+125^\circ\text{C}$  <sup>(1)(2)(3)</sup>

Symbol	Parameter	Conditions	Min	Typ	Max	Unit
$V_{OUT}$ Accuracy	Output Voltage Accuracy	Active state: Tracking $V_{AVS}$ $I_{OUT} \leq 50\text{mA}$ , $V_{OUT} = 1.2\text{V}$ , $3.0\text{V} \leq V_{BAT1,2,SW} \leq 5.5\text{V}$	<b>-3%</b>	1.2	<b>3%</b>	V
		Sleep state: Memory retention voltage regulation $I_{OUT} \leq 5\text{mA}$ , $V_{OUT} = 1.2\text{V}$ , $3.0\text{V} \leq V_{BAT1,2,SW} \leq 5.5\text{V}$	<b>-3%</b>	1.2	<b>3%</b>	V
$V_{OFFSET}$	Active State Buffer offset (= $V_{O3} - V_{FB}$ )	$I_{OUT} = 50\text{ mA}$ , $V_{OUT} = 0.6\text{ V}$		13		mV
		$I_{OUT} = 50\text{ mA}$ , $V_{OUT} = 1.2\text{V}$		28		mV
$V_{OUT}$ Range	Programmable Output Voltage Range (Sleep state)	$0\mu\text{A} \leq I_{OUT} \leq 5\text{mA}$ , Programming Resolution = 50mV	0.6	1.2	1.35	V
$I_Q$	Quiescent Current	Active mode, $I_{OUT} = 10\mu\text{A}$ <sup>(4)</sup>		33	44	$\mu\text{A}$
		Sleep mode, $I_{OUT} = 10\mu\text{A}$ <sup>(4)</sup>		10	16	$\mu\text{A}$
$I_{OUT}$	Recommended Output Current, Active state	$3.0\text{V} \leq V_{BAT1,2,SW} \leq 5.5\text{V}$		50		mA
	Recommended Output Current, Sleep state	$3.0\text{V} \leq V_{BAT1,2,SW} \leq 5.5\text{V}$		5		
	Short Circuit Current Limit, Active state	$V_{OUT} = 0\text{V}$			<b>230</b>	
eN	Output Voltage Noise	$10\text{Hz} \leq f \leq 100\text{kHz}$ , $C_{OUT} = 1\mu\text{F}$		0.158		mVRMS
PSRR	Power Supply Ripple Rejection Ratio	$f = 217\text{Hz}$ , $C_{OUT} = 1.0\mu\text{F}$		36		dB
C <sub>OUT</sub>	Output Capacitance	$0\mu\text{A} \leq I_{OUT} \leq 5\text{mA}$	0.7	1	2.2	$\mu\text{F}$
	Output Capacitor ESR		5		500	m $\Omega$

(1) All voltages are with respect to the potential at the GND pin.

(2) Min and Max limits are ensured by design, test, or statistical analysis. Typical (Typ) numbers are not specified, but do represent the most likely norm. Unless otherwise specified, conditions for Typ specifications are:  $V_{IN} = 3.6\text{V}$  and  $T_A = 25^\circ\text{C}$  control.

(3) Capacitors: Low-ESR Surface-Mount Ceramic Capacitors are (MLCCs) used in setting electrical characteristics

(4) Quiescent current for LDO1, LDO2, and LDO3 do not include shared functional blocks such as the bandgap reference.

## Switcher (Core Voltage) Characteristics

Unless otherwise noted,  $V_{BAT1,2,SW}$ , RESETN, ENABLE = 3.6V. Typical values and limits appearing in normal type apply for  $T_J = 25^\circ\text{C}$ . Limits appearing in boldface type apply over the entire junction temperature range for operation, -40 to  $+125^\circ\text{C}$  <sup>(1)(2)(3)</sup>

Symbol	Parameter	Conditions	Min	Typ	Max	Unit
$V_{OUT}$ Accuracy	Output Voltage	$I_{OUT} = 150\text{ mA}$ , $V_{OUT} = 1.2\text{V}$ , $3.0\text{V} < V_{BAT1,2,SW} < 5.5\text{V}$	<b>-3%</b>		<b>3%</b>	V
		$I_{OUT} = 100\text{-}300\text{ mA}$ , $V_{OUT} = 1.2\text{V}$ , $3.0\text{V} < V_{BAT1,2,SW} < 5.5\text{V}$	-1.5%		1.5%	
$V_{OUT}$ Range	Programmable Output Voltage Range	$0\text{mA} \leq I_{OUT} \leq 300\text{mA}$ , Programming Resolution = 4.7mV	0.6	1.2	1.2	V
$\Delta V_{OUT}$	Line regulation	$3.0\text{V} < V_{BAT1,2,SW} < 5.5\text{V}$ , $V_{OUT} = 1.2\text{V}$ , $I_{OUT} = 10\text{ mA}$		0.18		%/V
	Load regulation	$V_{BAT1,2,SW} = 3.6\text{V}$ , $V_{OUT} = 1.2\text{V}$ , $I_{OUT} = 100\text{-}300\text{mA}$		0.0019		%/mA
$I_Q$	Quiescent current consumption	$I_{OUT} = 0\text{mA}$		15	<b>30</b>	$\mu\text{A}$
$R_{DS(on)(P)}$	P-FET resistance	$V_{BAT1,2,SW} = V_{GS} = 3.6\text{V}$		360	<b>690</b>	m $\Omega$

(1) All voltages are with respect to the potential at the GND pin.

(2) Min and Max limits are ensured by design, test, or statistical analysis. Typical (Typ) numbers are not specified, but do represent the most likely norm. Unless otherwise specified, conditions for Typ specifications are:  $V_{IN} = 3.6\text{V}$  and  $T_A = 25^\circ\text{C}$  control.

(3) Capacitors: Low-ESR Surface-Mount Ceramic Capacitors are (MLCCs) used in setting electrical characteristics

## Switcher (Core Voltage) Characteristics (continued)

Unless otherwise noted,  $V_{BAT1,2,SW}$ , RESETN, ENABLE = 3.6V. Typical values and limits appearing in normal type apply for  $T_J = 25^\circ\text{C}$ . Limits appearing in boldface type apply over the entire junction temperature range for operation, -40 to  $+125^\circ\text{C}$ <sup>(1)(2)(3)</sup>

Symbol	Parameter	Conditions	Min	Typ	Max	Unit
$R_{DS(ON)}$	N-FET resistance	$V_{BAT1,2,SW} = V_{GS} = 3.6\text{V}$		250	<b>660</b>	m $\Omega$
$I_{LIM}$	Switch peak current limit	$3.0\text{V} < V_{BAT1,2,SW} < 5.5\text{V}$ , Open Loop	<b>350</b>	620	<b>750</b>	mA
$f_{OSC}$	Internal oscillator frequency	PWM-mode	800	1000	1360	kHz
$C_{OUT}$	Output Capacitance	$0\text{mA} \leq I_{OUT} \leq 300\text{mA}$	5	10	22	$\mu\text{F}$
	Output Capacitor ESR		5		500	m $\Omega$
L	Inductor inductance	$0\mu\text{A} \leq I_{OUT} \leq 300\text{mA}$		4.7 / 10		$\mu\text{H}$
$R_{VFB}$	$V_{FB}$ pin resistance to ground		120		650	k $\Omega$

## Logic and Control Inputs

Unless otherwise noted,  $V_{BAT1,2,SW}$ , RESETN, ENABLE = 3.6V. Typical values and limits appearing in normal type apply for  $T_J = 25^\circ\text{C}$ . Limits appearing in boldface type apply over the entire junction temperature range for operation, -40 to  $+125^\circ\text{C}$ <sup>(1)(2)(3)</sup>

Symbol	Parameter	Conditions	Min	Typ	Max	Unit
$V_{IL}$	Input Low Level	ENABLE, RESETN, SPWI, SCLK $3.0\text{V} \leq V_{BAT1} \leq 5.5\text{V}$			<b>0.2</b>	V
$V_{IH}$	Input High Level	ENABLE, RESETN $3.0\text{V} \leq V_{BAT1} \leq 5.5\text{V}$	<b>2</b>			V
$V_{IH\_PWI}$	Input High Level, PWI	SPWI, SCLK, $1.5\text{V} \leq V_{O2} \leq 3.3\text{V}$	<b><math>V_{O2}-0.2\text{V}</math></b>			V
$I_{IL}$	Logic Input Current	ENABLE, RESETN, $0\text{V} \leq V_{BAT1} \leq 5.5\text{V}$	<b>-5</b>		<b>5</b>	$\mu\text{A}$
$I_{IL\_PWI}$	Logic Input Current, PWI	SPWI, SCLK, $1.5\text{V} \leq V_{O2} \leq 3.3\text{V}$	<b>-5</b>		<b>15</b>	$\mu\text{A}$
$R_{PD\_PWI}$	Pull-down resistance for PWI signals		<b>0.5</b>	1	<b>2.25</b>	M $\Omega$
$T_{EN\_LOW}$	Minimum low pulse width to enter STARTUP state	ENABLE pulsed high - low - high from SHUTDOWN state		100		$\mu\text{sec}$
		ENABLE pulsed high - low - high from SLEEP or ACTIVE state		4		

- (1) All voltages are with respect to the potential at the GND pin.
- (2) Min and Max limits are ensured by design, test, or statistical analysis. Typical (Typ) numbers are not specified, but do represent the most likely norm. Unless otherwise specified, conditions for Typ specifications are:  $V_{IN} = 3.6\text{V}$  and  $T_A = 25^\circ\text{C}$  control.
- (3) Capacitors: Low-ESR Surface-Mount Ceramic Capacitors are (MLCCs) used in setting electrical characteristics

## Logic and Control Outputs

Unless otherwise noted,  $V_{BAT1,2,SW}$ , RESETN, ENABLE = 3.6V. Typical values and limits appearing in normal type apply for  $T_J = 25^\circ\text{C}$ . Limits appearing in boldface type apply over the entire junction temperature range for operation, -40 to  $+125^\circ\text{C}$ <sup>(1)(2)(3)</sup>

Symbol	Parameter	Conditions	Min	Typ	Max	Unit
$V_{OL}$	Output low level	PWROK, SPWI, $I_{SINK} \leq 1\text{mA}$			<b>0.4</b>	V
$V_{OH}$	Output high level	PWROK, $I_{SOURCE} \leq 1\text{mA}$	<b><math>V_{BAT1}-0.4\text{V}</math></b>			V
$V_{OH\_PWI}$	Output high level, PWI	SPWI, $I_{SOURCE} \leq 1\text{mA}$	<b><math>V_{O2}-0.4\text{V}</math></b>			V

- (1) All voltages are with respect to the potential at the GND pin.
- (2) Min and Max limits are ensured by design, test, or statistical analysis. Typical (Typ) numbers are not specified, but do represent the most likely norm. Unless otherwise specified, conditions for Typ specifications are:  $V_{IN} = 3.6\text{V}$  and  $T_A = 25^\circ\text{C}$  control.
- (3) Capacitors: Low-ESR Surface-Mount Ceramic Capacitors are (MLCCs) used in setting electrical characteristics

Simplified Functional Diagram

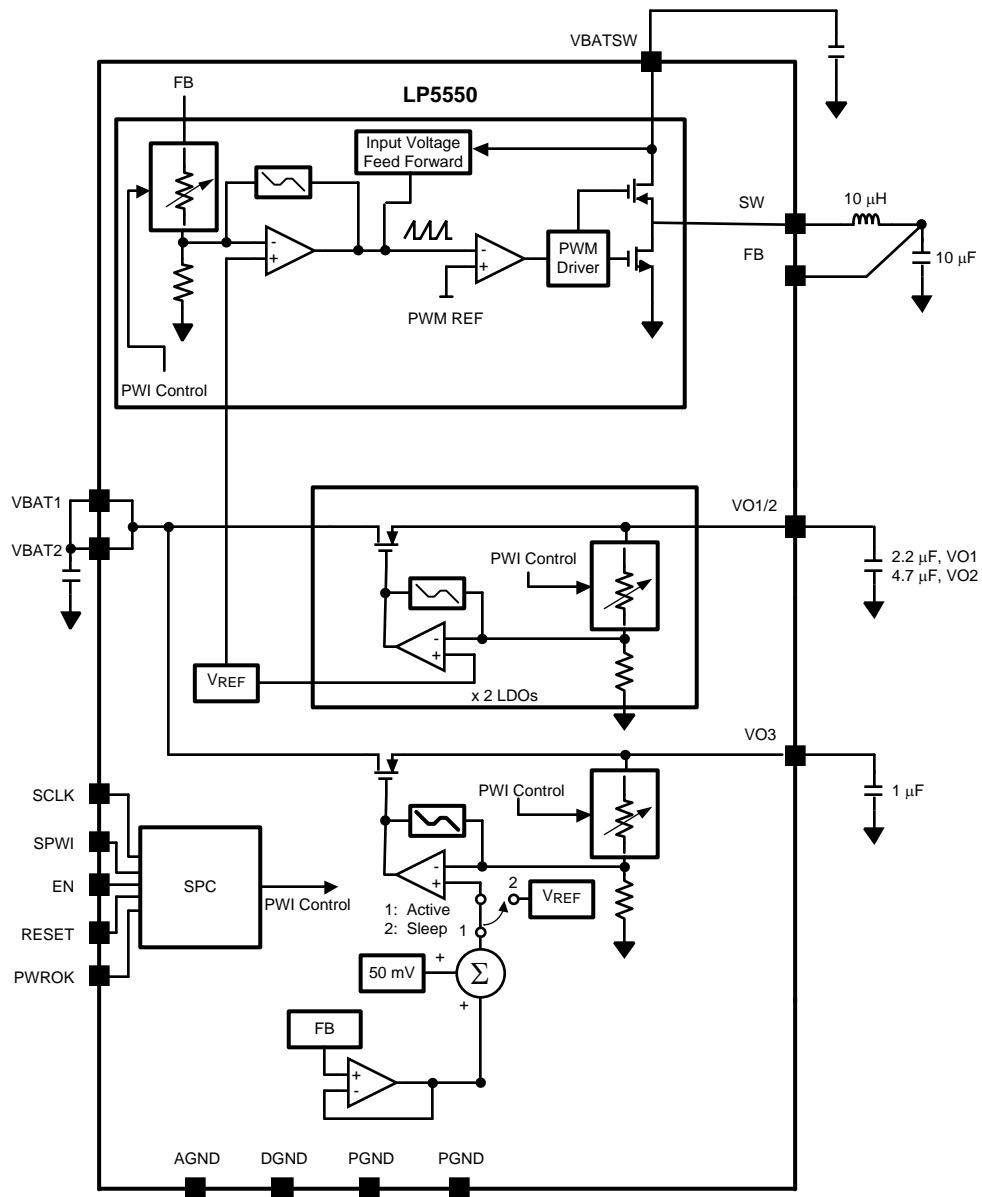


Figure 4. Simplified Functional Diagram



### Typical Performance Characteristics

Unless otherwise stated:  $V_{IN}=3.6V$

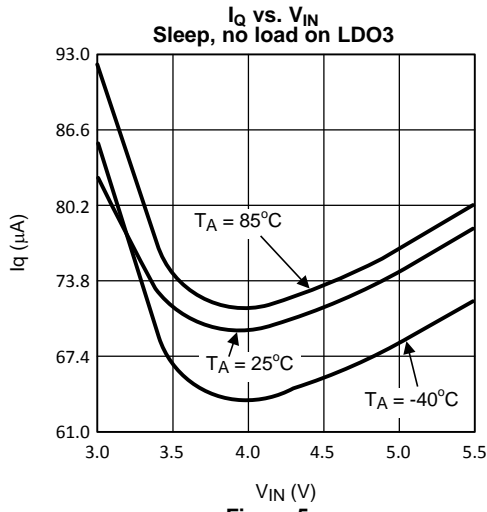


Figure 5.

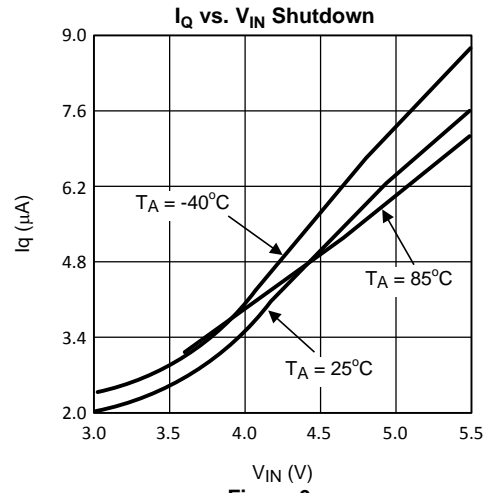


Figure 6.

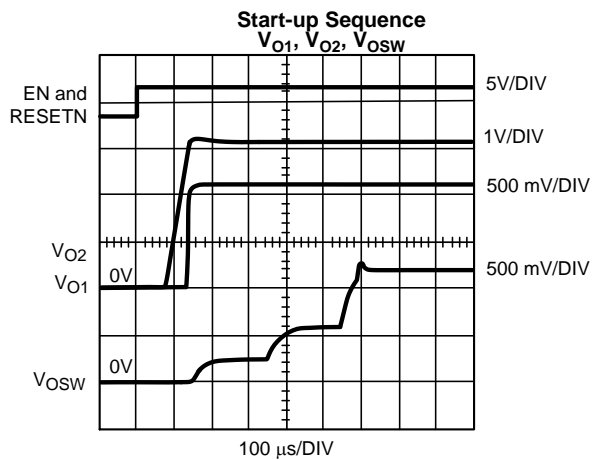


Figure 7.

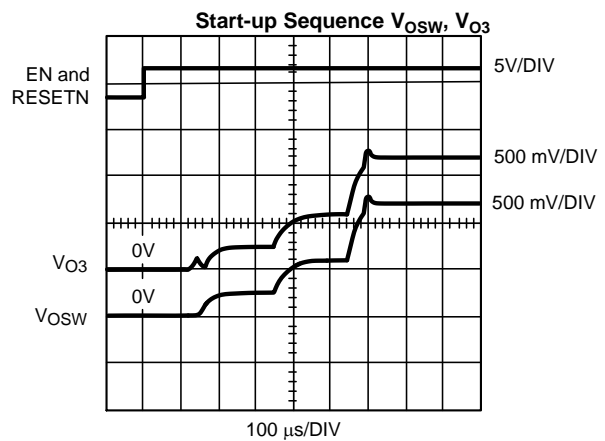


Figure 8.

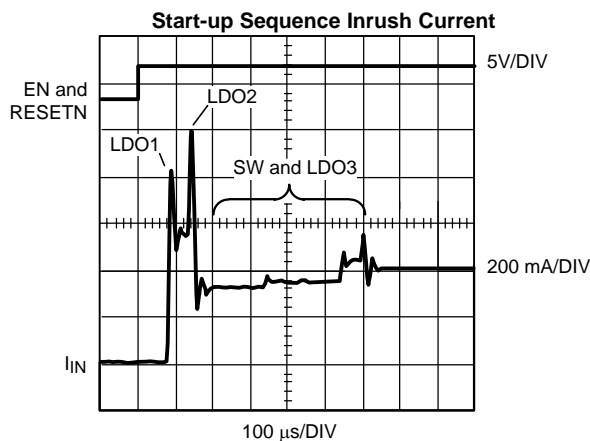


Figure 9.

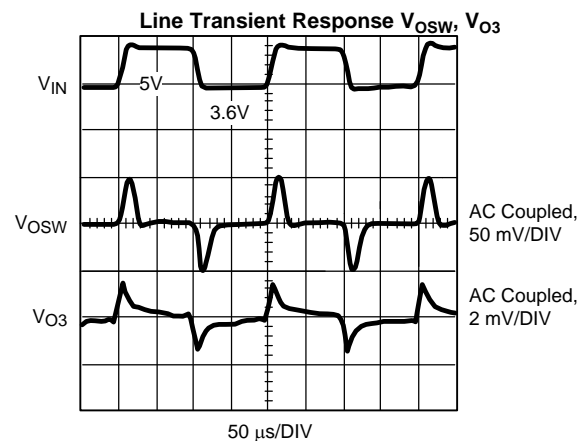


Figure 10.

**Typical Performance Characteristics (continued)**

Unless otherwise stated:  $V_{IN}=3.6V$

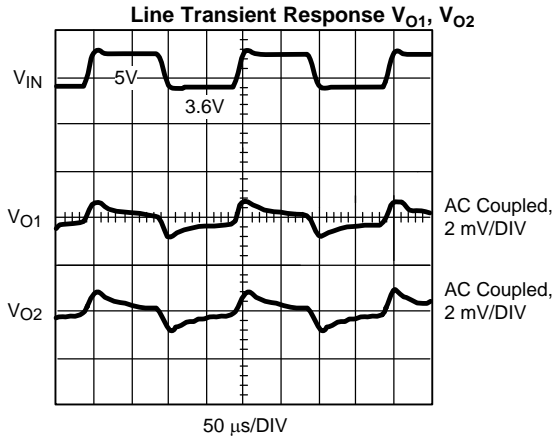


Figure 11.

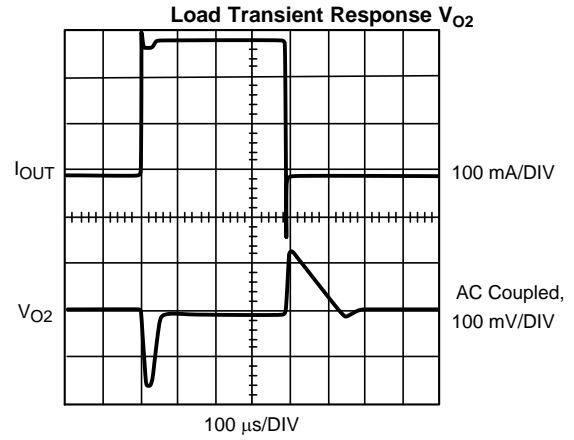


Figure 12.

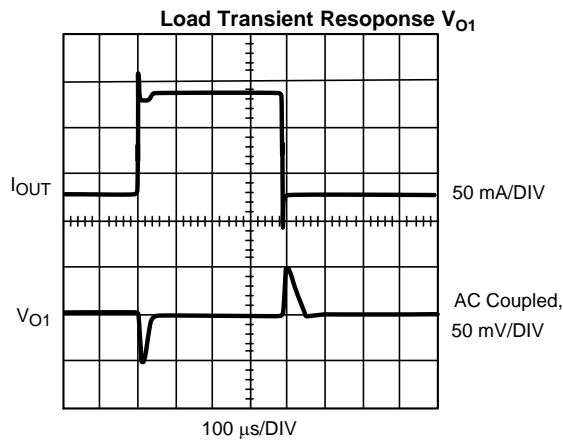


Figure 13.

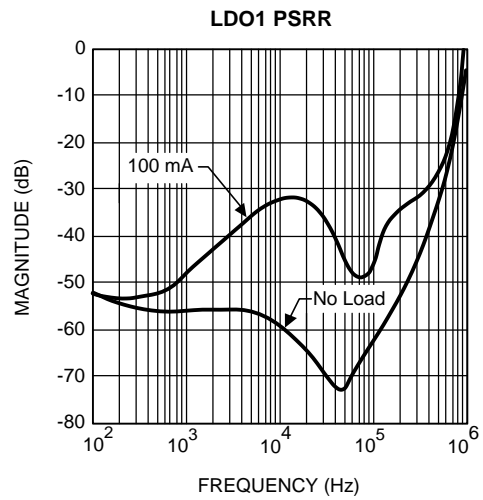


Figure 14.

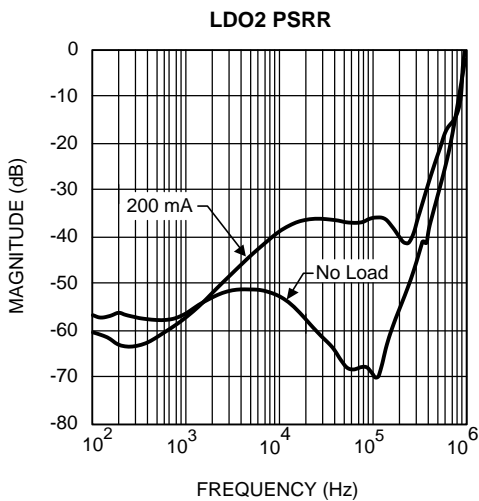


Figure 15.

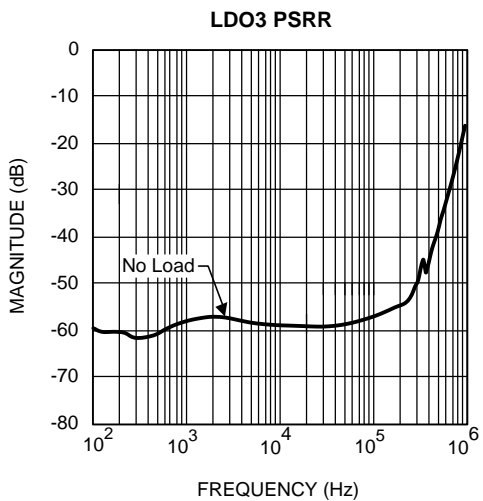


Figure 16.

Typical Performance Characteristics (continued)

Unless otherwise stated:  $V_{IN}=3.6V$

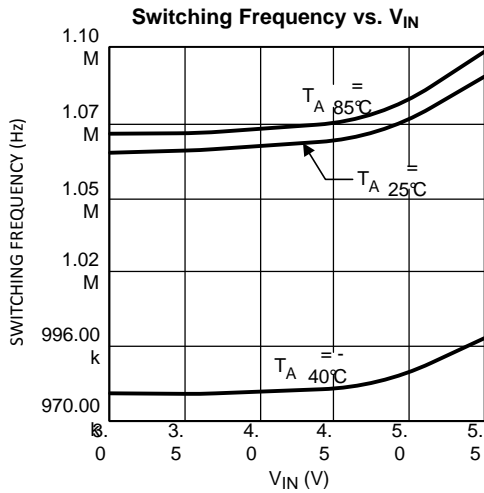


Figure 17.

Load Transient Response  
Switcher, Automatic PWM/PFM Transition

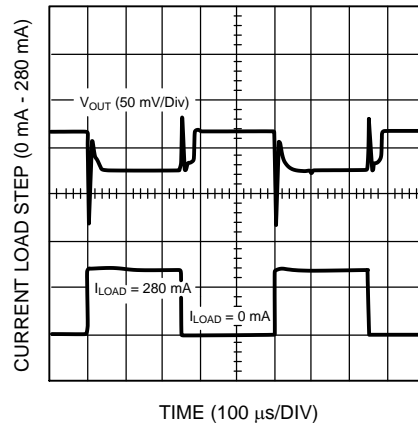


Figure 18.

Load Transient Response  
Switcher, PWM only

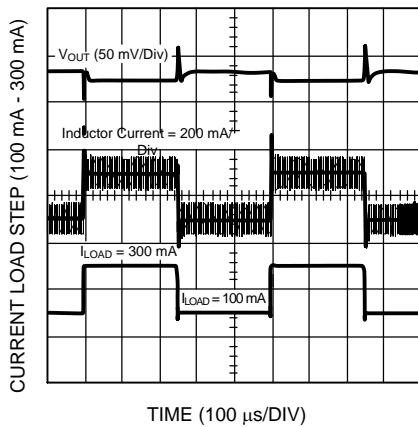


Figure 19.

Load Transient Response  
Switcher, PFM only

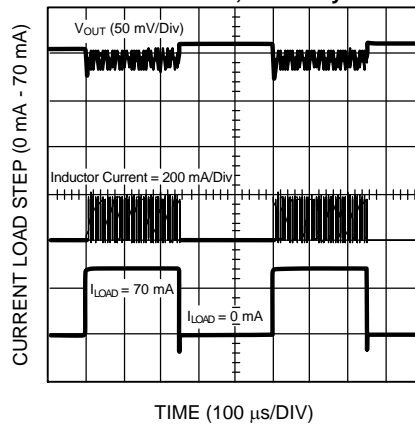


Figure 20.

V<sub>OUT</sub> Transient Response  
Min to Max Transient

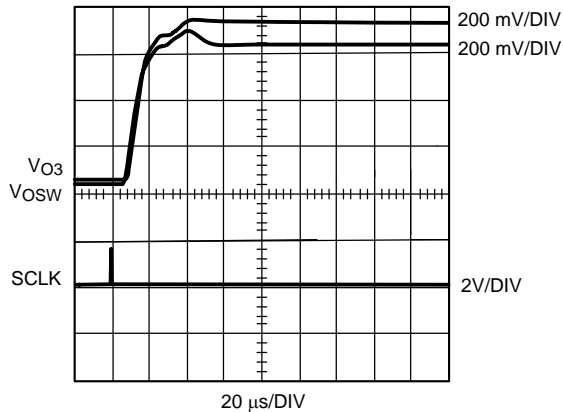


Figure 21.

V<sub>OUT</sub> Transient Response  
Max to Min Transient

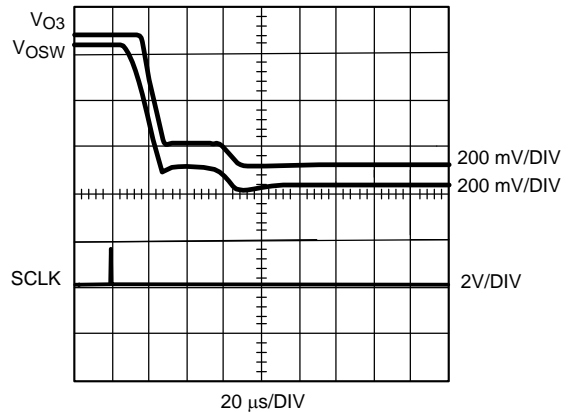


Figure 22.

**Typical Performance Characteristics (continued)**

Unless otherwise stated:  $V_{IN}=3.6V$

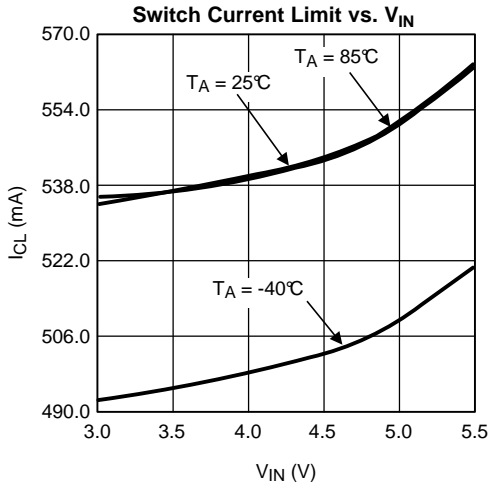


Figure 23.

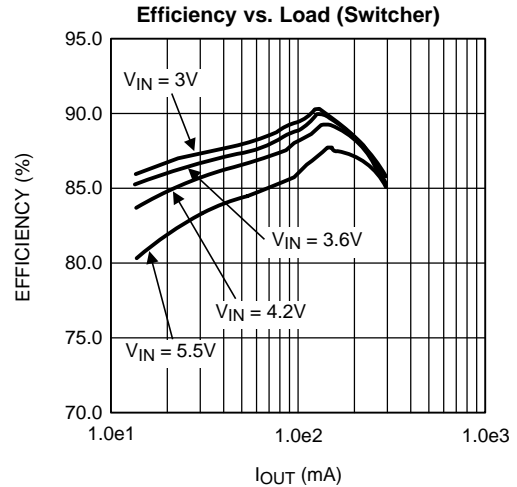


Figure 24.

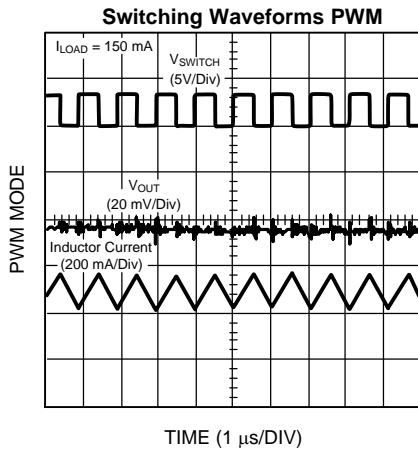


Figure 25.

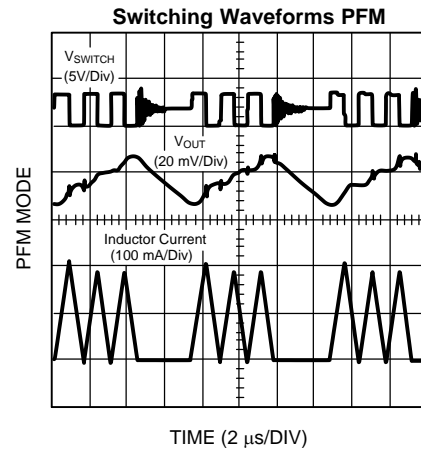


Figure 26.

## LP5550 PWI Register Map

The PWI standard supports sixteen 8-bit registers on the PWI slave. The table below summarizes these registers and shows default register bit values after reset. The following sub-sections provide additional detail on the use of each individual register.

**Table 1. Summary**

Register Address	Register Name	Register Usage	Type	Reset Default Value							
				7	6	5	4	3	2	1	0
0x0	R0	Core voltage	R/W	0	1	1	1	1	1	1	1
0x1	R1	Unused	R/W	-	-	-	-	-	-	-	-
0x2	R2	Memory retention voltage	R/W	0	1	1	0	0	-	-	-
0x3	R3	Status register	R/O	0	0	0	0	1	1	1	1
0x4	R4	PWI version number	R/O	0	0	0	0	0	0	0	1
0x5	R5	Unused	R/W	-	-	-	-	-	-	-	-
0x6	R6	Unused	R/W	-	-	-	-	-	-	-	-
0x7	R7	LDO2 voltage	R/W	0	1	1	1	1	-	-	-
0x8	R8	LDO1 voltage	R/W	0	0	1	0	1	-	-	-
0x9	R9	PFM/PWM force	R/W	0	0	-	-	-	-	-	-
0xA	R10	Unused	R/W	-	-	-	-	-	-	-	-
0xB	R11	Unused	R/W	-	-	-	-	-	-	-	-
0xC	R12	Unused	R/W	-	-	-	-	-	-	-	-
0xD	R13	Unused	R/W	-	-	-	-	-	-	-	-
0xE	R14	Unused	R/W	-	-	-	-	-	-	-	-
0xF	R15	Reserved	R/W	-	-	-	-	-	-	-	-

### R0 - Core Voltage Register

Address 0x0

Type R/W

Reset Default 8h'7F

Bit	Field Name	Description or Comment	
7	Sign	This bit is fixed to '0'. Reading this bit will result in a '0'. Any data written into this bit position using the Register Write command is ignored.	
6:0	Voltage	Core voltage value. Default value is in <b>bold</b> .	
		Voltage Data Code [7:0]	Voltage Value (V)
		7h'00	0.6
		7h'xx	Linear scaling
		<b>7h'7f</b>	<b>1.2 (default)</b>

### R1 - Unused Register

Address 0x1

Type R/W

Reset Default 8h'00

Bit	Field Name	Description or Comment
7:0	Unused	Write transactions to this register are ignored. Read transactions will return a "No Response Frame." A no response frame contains all zeros (see PWI 1.0 specification).

## R2 - VO3 Voltage Register (Memory Retention Voltage)

Address 0x2

Type R/W

Reset Default 8h'60

Bit	Field Name	Description or Comment	
7	Sign	This bit is fixed to '0'. Reading this bit will result in a '0'. Any data written into this bit position using the Register Write command is ignored.	
6:3	Voltage	Fixed voltage value. A code of all ones indicates maximum voltage while a code of all zero indicates minimum voltage. Default value is in <b>bold</b> .	
		Voltage Data Code [6:3]	Voltage Value (volts)
		4h'0	0.6
		4h'1	0.65
		4h'2	0.7
		4h'3	0.75
		4h'4	0.8
		4h'5	0.85
		4h'6	0.9
		4h'7	0.95
		4h'8	1
		4h'9	1.05
		4h'A	1.1
		4h'B	1.15
		4h'C	<b>1.20 (default)</b>
4h'D	1.25		
4h'E	1.3		
4h'F	1.35		
2:0	Unused	These bits are fixed to '0'. Reading these bits will result in a '000'. Any data written into these bits using the Register Write command is ignored.	

## R3 - Status Register

Address 0x3

Type Read Only

Reset Default 8h'0F

Bit	Field Name	Description or Comment
7	Reserved	Reserved, read returns 0
6	Reserved	Reserved, read returns 0
5	User Bit	Unused, read returns 0
4	User Bit	Unused, read returns 0
3	Fixed OK	Unused, read returns 1
2	IO OK	Unused, read returns 1
1	Memory OK	Unused, read returns 1
0	Core OK	Unused, read returns 1

### R4 - PWI Version Number Register

Address 0x4

Type Read Only

Reset Default 8h'01

Bit	Field Name	Description or Comment
7:0	Version	Read transaction will return 8h'01 indicating PWI 1.0 specification. Write transactions to this register are ignored.

### R5 - R6 - Unused Registers

Address 0x5, 0x6

Type R/W

Reset Default 8h'00

Bit	Field Name	Description or Comment
7:00	Unused	Write transactions to this register are ignored. Read transactions will return a "No Response Frame." A no response frame contains all zeros (see PWI 1.0 specification).

### R7 - VO2 Voltage Register (I/O Voltage)

Address 0x7

Type R/W

Reset Default 8h'78

Bit	Field Name	Description or Comment	
7	Sign	This bit is fixed to '0'. Reading this bit will result in a '0'. Any data written into this bit position using the Register Write command is ignored.	
6:3	Voltage	Fixed voltage value. A code of all ones indicates maximum voltage while a code of all zero indicates minimum voltage. Default value is in bold.	
		Voltage Data Code [6:3]	Voltage Value (volts)
		4h'0	1.5
		4h'1	1.5
		4h'2	1.5
		4h'3	1.5
		4h'4	1.6
		4h'5	1.7
		4h'6	1.8
		4h'7	1.9
		4h'8	2
		4h'9	2.1
		4h'A	2.2
		4h'B	2.3
4h'C	2.5		
4h'D	2.8		
4h'E	3		
4h'F	<b>3.3</b> (default)		
2:0	Unused	These bits are fixed to '0'. Reading these bits will result in a '000'. Any data written into these bits using the Register Write command is ignored.	

## R8 - VO1 Voltage Register (PLL/Fixed Voltage)

Address 0x8

Type R/W

Reset Default 8h'28

Bit	Field Name	Description or Comment	
7	Sign	This bit is fixed to '0'. Reading this bit will result in a '0'. Any data written into this bit position using the Register Write command is ignored.	
6:3	Voltage	Fixed voltage value. A code of all ones indicates maximum voltage while a code of all zero indicates minimum voltage. Default value is in bold.	
		Voltage Data Code [6:3]	Voltage Value (volts)
		4h'0	0.7
		4h'1	0.8
		4h'2	0.9
		4h'3	1
		4h'4	1.1
		<b>4h'5</b>	<b>1.2 (default)</b>
		4h'6	1.3
		4h'7	1.4
		4h'8	1.5
		4h'9	1.6
		4h'A	1.7
		4h'B	1.8
		4h'C	1.9
		4h'D	2
4h'E	2.1		
4h'F	2.2		
2:0	Unused	These bits are fixed to '0'. Reading these bits will result in a 3b'000. Any data written into these bits using the Register Write command is ignored.	

## R9 - PFM/PWM Force Register

Address 0x9

Type R/W

Reset Default 8h'00

Bit	Field Name	Description or Comment		
7:6	PFM/PWM Force	User Register		
		PFM Force (bit 7)	PWM Force (bit 6)	
		Automatic Transition	0	0
		Automatic Transition	1	1
		Forced PFM Mode	1	0
	Forced PWM Mode	0	1	
5:0	Unused	These bits are fixed to '0'. Reading these bits will result in a '000000'. Any data written into these bits using the Register Write command is ignored.		



### R10 - R14 – Unused Registers

Address 0xA, 0xB, 0xC, 0xD, 0xE

Type R/W

Reset Default 8h'00

Bit	Field Name	Description or Comment
7:0	Unused	Write transactions to this register are ignored. Read transactions will return a "No Response Frame." A no response frame contains all zeros (see PWI 1.0 specification) frame.

### R15 - Manufacturer Register

Address 0xF

Type R/W

Reset Default 8h'00

Bit	Field Name	Description or Comment
7:0	Reserved	Do not write to this register

## Operation Description

### DEVICE INFORMATION

The LP5550 is a PowerWise Interface (PWI) compliant power management unit (PMU) for application or baseband processors in mobile phones or other portable equipment. It operates cooperatively with processors using Texas Instruments' Advanced Power Controller (APC) to provide Adaptive or Dynamic Voltage Scaling (AVS, DVS) which drastically improves processor efficiencies compared to conventional power delivery methods. The LP5550 consists of a high efficiency switching DC/DC buck converter to supply the AVS or DVS voltage domain, three LDOs for supplying the logic, PLL, and memory, and PWI registers and logic.

### OPERATION STATE DIAGRAM

The LP5550 has four operating states: Start-up, Active, Sleep and Standby.

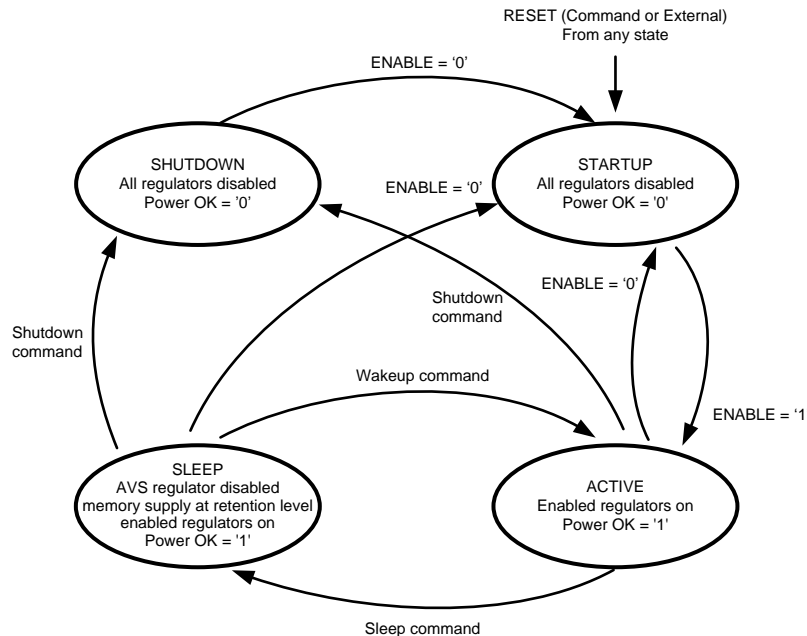
The Start-up state is the default state after reset. All regulators are off and PWROK output is '0'. The device will power up when the external enable-input is pulled high. After the power-up sequence LP5550 enters the Active state.

In the Active state all regulators are on and PWROK-output is '1'. Immediately after Start-up the output voltages are at their default levels. LP5550 can be turned off by supplying the Shutdown command over PWI, or by setting ENABLE and/or RESETN to '0'. The LP5550 can be switched to the Sleep state by issuing the Sleep command.

In the Sleep state the core voltage regulator is off, but the PWROK output is still '1'. The memory voltage regulator (VO3) provides the programmed memory retention voltage. LDO1 and LDO2 are on. The LP5550 can be activated from the Sleep state by giving the Wake-up command. This resumes the last programmed Active state configuration. The device can also be switched off by giving the Shutdown command, or by setting ENABLE and/or RESETN to '0'

In the Shutdown-state all output voltages are '0', and PWROK-signal is '0' as well. The LP5550 can exit the Shutdown-state if either ENABLE or RESETN is '0'. In either case the device moves to the Start-up state. See the ENABLE

[Figure 27](#) shows the LP5550 state diagram. The figure assumes that supply voltage to the regulator IC is in the valid range.



**Figure 27. LP5550 State Diagram**

## VOLTAGE SCALING

The LP5550 is designed to be used in a voltage scaling system to lower the power dissipation of baseband or application processors in mobile phones or other portable equipment. By scaling supply voltage with the clock frequency of a processor, dramatic power savings can be achieved. Two types of voltage scaling are supported, dynamic voltage scaling (DVS) and adaptive voltage scaling (AVS). DVS systems switch between pre-characterized voltages which are paired to clock frequencies used for frequency scaling in the processor. AVS systems track the processor performance and optimize the supply voltage to the required performance. AVS is a closed loop system that provides process and temperature compensation such that for any given processor, temperature, or clock frequency, the minimum supply voltage is delivered.

## DIGITALLY CONTROLLED VOLTAGE SCALING

The LP5550 delivers fast, controlled voltage scaling transients with the help of a digital state machine. The state machine automatically optimizes the control loop in the LP5550 switching regulator to provide large signal transients with minimal over- and undershoot. This is an important characteristic for voltage scaling systems that rely on minimal over- and undershoot to set voltages as low as possible and save energy.

## LARGE SIGNAL TRANSIENT RESPONSE

The switching converter in the LP5550 is designed to work in a voltage scaling system. This requires that the converter has a well controlled large signal transient response. Specifically, the under- and over-shoots have to be minimal or zero while maintaining settling times less than 100 usec. Typical response plots are shown in the [Typical Performance Characteristics](#) section.

## PowerWise (TM) INTERFACE

To support DVS and AVS, the LP5550 is programmable via the low power, 2 wire PowerWise Interface (PWI). This serial interface controls the various voltages and states of all the regulators in the LP5550. In particular, the switching regulator voltage can be controlled between 0.6V and 1.2V in 128 steps (linear scaling). This high resolution voltage control affords accurate temperature and process compensation in AVS. The LDO voltages can also be set, however they are not intended to be dynamic in operation. The LP5550 supports the full command set as described in PWI 1.0 specification:

- Core Voltage Adjust
- Reset
- Sleep
- Shutdown
- Wakeup
- Register Read
- Register Write
- Authenticate
- Synchronize

## PWM/PFM OPERATION

The switching converter in the LP5550 has two modes of operation: pulse width modulation (PWM) and pulse frequency modulation (PFM). In PWM the converter switches at 1MHz. Each period can be split into two cycles. During the first cycle, the high-side switch is on and the low-side switch is off, therefore the inductor current is rising. In the second cycle, the high-side switch is off and the low-side switch is on causing the inductor current to decrease. The output ripple voltage is lowest in PWM mode [Figure 28](#). As the load current decreases, the converter efficiency becomes worse due to the increased percentage of overhead current needed to operate in PWM mode. The LP5550 can operate in PFM mode to increase efficiency at low loads.

By default, the part will automatically transition into PFM mode when either of two conditions occurs for a duration of 64 or more clock cycles:

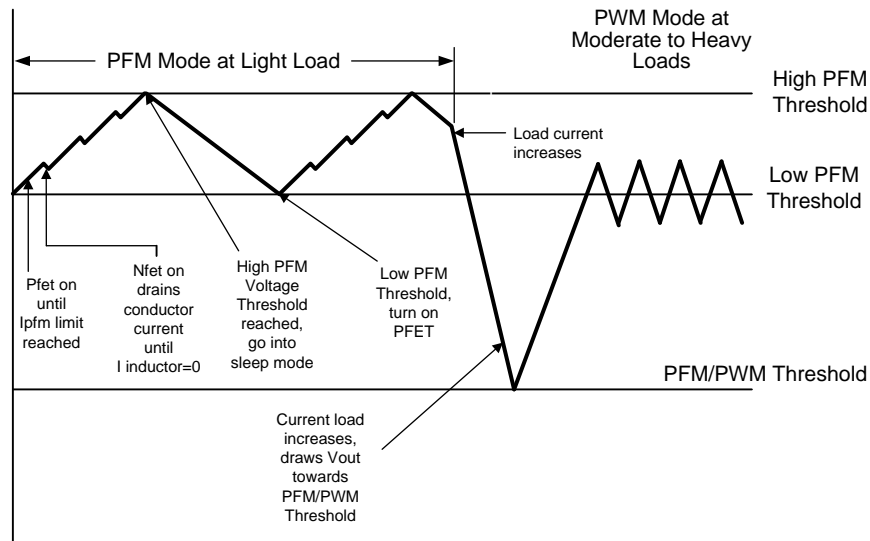
- A. The inductor valley current goes below 0 A
- B. The peak PMOS switch current drops below the  $I_{MODE}$  level:

$$I_{MODE} < 26 \text{ mA} + \frac{V_{IN}}{50\Omega} \text{ (typ)} \quad (1)$$

During PFM operation, the converter positions the output voltage between two voltage limits, 'High PFM Threshold' and 'Low PFM Threshold' as shown in [Figure 28](#). The PFM comparators sense the output voltage via the feedback pin and control the switching of the output FETs such that the output voltage ramps between these two levels. If the output voltage is below the 'low' PFM comparator threshold, the PMOS power switch is turned on. It remains on until the output voltage exceeds the 'high' PFM threshold or the peak current exceeds the  $I_{PFM}$  level set for PFM mode. The peak current in PFM mode is:

$$I_{PFM} = 117 \text{ mA} + \frac{V_{IN}}{64\Omega} \text{ (typ)} \quad (2)$$

If  $I_{PFM}$  is tripped, the PMOS switch conducts again once the inductor current reaches zero (the NMOS switch conducts while the PMOS switch is off). If the 'high' PFM threshold is tripped, the PMOS remains off until the 'low' PFM threshold is tripped. The NMOS turns off once the inductor current reaches zero.



**Figure 28. Operation in PFM Mode and Transfer to PWM Mode**

## APPLICATION INFORMATION

### PWM/PFM FORCE REGISTER (R9)

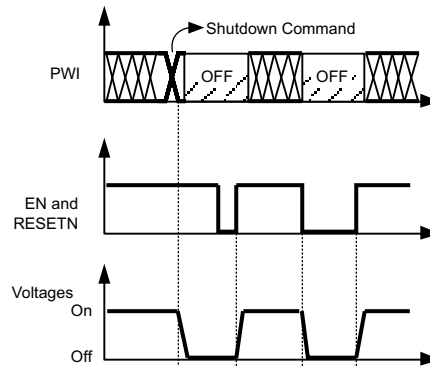
By default, the LP5550 automatically transitions between PFM and PWM to optimize efficiency. The PWM/PFM force register (R9) provides the option to override the automatic transition and force PFM or PWM operation (see [R9 - PFM/PWM Force Register](#)). Note that if the operating mode of the regulator is forced to be PFM then the switch current limit is reduced to 100 mA (50 mA average load current).

### EN/RESETN

The LP5550 can be shutdown via the ENABLE or RESETN pins, or by issuing a shutdown command from PWI. To disable the LP5550 via hardware (as opposed to the PWI shutdown command), pull the ENABLE and/or the RESETN pin(s) low. To enable the LP5550, both the ENABLE and the RESETN pins must be high. Once enabled, the LP5550 engages the power-up sequence and all voltages return to their default values.

When using PWI to issue a shutdown command, the PWI will be disabled along with the regulators in the LP5550. To re-enable the part, either the ENABLE, RESETN, or both pins must be toggled (high – low – high). The part will then enter the power-up sequence and all voltages will return to their default values. [Figure 29](#) summarizes the ENABLE/RESETN control.

The ENABLE and RESETN pins provide flexibility for system control. In larger systems such as a mobile phone, it can be advantageous to enable/disable a subsystem independently. For example, the LP5550 may be powering the applications processor in a mobile phone. The system controller can power down the applications processor via the ENABLE pin, but leave on other subsystems. When the phone is turned off or in a fault condition, the system controller can have a global reset command that is connected to all the subsystems (RESETN for the LP5550). However, if this type of control is not needed, the ENABLE and RESETN pins can be tied together and used as a single enable/disable pin.



**Figure 29. ENABLE and RESETN Operation**

## INDUCTOR

A 10 $\mu$ H or 4.7 $\mu$ H inductor should be used with the LP5550. The inductor should be rated to handle the peak load current plus the ripple current:

$$\begin{aligned}
 I_{L(MAX)} &= I_{LOAD(MAX)} + i_{L(MAX)} \\
 &= I_{LOAD(MAX)} + \frac{D \times (V_{IN(MAX)} - V_{OUT})}{2 \times L \times f_S} \\
 &= I_{LOAD(MAX)} + \frac{D \times (V_{IN(MAX)} - V_{OUT})}{20} \text{ (A)}, \\
 &\quad \left\{ \begin{array}{l} f_S = 1 \text{ MHz,} \\ L = 10 \text{ PH} \end{array} \right. \\
 &= I_{LOAD(MAX)} + \frac{D \times (V_{IN(MAX)} - V_{OUT})}{9.4} \text{ (A)}, \\
 &\quad \left\{ \begin{array}{l} f_S = 1 \text{ MHz,} \\ L = 4.7 \text{ PH} \end{array} \right.
 \end{aligned} \tag{3}$$

## CURRENT LIMIT

The switching converter in the LP5550 detects the peak inductor current and limits it for protection (see [Electrical Characteristics](#) table and/or [Typical Performance Characteristics](#) section). To determine the average current limit from the peak current limit, the inductor size, input and output voltage, and switching frequency must be known. The LP5550 is designed to work with a 4.7 $\mu$ H or 10 $\mu$ H inductor, so:

$$\begin{aligned}
 I_{CL\_AVG} &= I_{CL\_PK} - i_L \\
 &= I_{CL\_PK} - \frac{D \times (V_{IN} - V_{OUT})}{2 \times L \times f_S} \\
 &| 0.4 - \frac{D \times (V_{IN} - V_{OUT})}{20}, \left\{ \begin{array}{l} f_S = 1 \text{ MHz,} \\ L = 10 \text{ PH} \end{array} \right. \\
 &| 0.4 - \frac{D \times (V_{IN} - V_{OUT})}{9.4}, \left\{ \begin{array}{l} f_S = 1 \text{ MHz,} \\ L = 4.7 \text{ PH} \end{array} \right.
 \end{aligned} \tag{4}$$

## INPUT CAPACITOR

The input capacitor to the switching converter supplies the AC switching current drawn from the switching action of the internal power FETs. The input current of a buck converter is discontinuous, so the ripple current supplied by the input capacitor is large. The input capacitor must be rated to handle this current:

$$I_{RMS\_CIN} = I_{OUT} \frac{\sqrt{V_{OUT} \times (V_{IN} - V_{OUT})}}{V_{IN}} \text{ (A)} \tag{5}$$

The power dissipated in the input capacitor is given by:

$$P_{D\_CIN} = I_{RMS\_CIN}^2 \times R_{ESR\_CIN} \text{ (W)} \quad (6)$$

The input capacitor must be rated to handle both the RMS current and the dissipated power. A 10  $\mu$ F ceramic capacitor is recommended for the LP5550.

## OUTPUT CAPACITOR

The switching converter in the LP5550 is designed to be used with a 10 $\mu$ F ceramic output capacitor. The dielectric should be X5R, X7R, or comparable material to maintain proper tolerances. The output capacitor of the switching converter absorbs the AC ripple current from the inductor and provides the initial response to a load transient. The ripple voltage at the output of the converter is the product of the ripple current flowing through the output capacitor and the impedance of the capacitor. The impedance of the capacitor can be dominated by capacitive, resistive, or inductive elements within the capacitor, depending on the frequency of the ripple current. Ceramic capacitors are predominately used in portable systems and have very low ESR and remain capacitive up to high frequencies.

The switcher peak - to - peak output voltage ripple in steady state can be calculated as:

$$V_{PP} = I_{LPP} \left( R_{ESR} + \frac{1}{F_S \times 8 \times C_{OUT}} \right) \quad (7)$$

## LDO INFORMATION

The LDOs included in the LP5550 provide static supply voltages for various functions in the processor. Use the following sections to determine loading and external components.

### LDO LOADING CAPABILITY

The LDOs in the LP5550 can regulate to a variety of output voltages, depending on the need of the processor. These voltages can be programmed through the PWI. [Table 2](#) summarizes the parameters of the LP5550 LDOs.

**Table 2. LDO Parameters**

	PWI Register	Output Voltage Range	Recommended Maximum Output Current	Dropout Voltage (typical)	Typical Load
LDO1	R8	0.6 V – 2.2 V	100 mA	200 mV	PLL
LDO2	R7	1.5 V – 3.3 V	250 mA	150 mV	I/O
LDO3	R2	$V_{OSW} + 0.05 \text{ V}^{(1)}$ 0.7 V – 1.35 V <sup>(2)</sup>	50 mA	200 mV	Memory/Memory retention

(1) LDO3 tracks the switching converter output voltage ( $V_{OSW}$ ) plus a 50 mV offset when the LP5550 is in active state.

(2) LDO3 regulates at the set memory retention voltage when the LP5550 is in shutdown state.

### LDO OUTPUT CAPACITOR

The output capacitor sets a low frequency pole and a high frequency zero in the control loop of an LDO. The capacitance and the equivalent series resistance (ESR) of the capacitor must be within a specified range to meet stability requirements. The LDOs in the LP5550 are designed to be used with ceramic output capacitors. The dielectric should be X5R, X7R, or comparable material to maintain proper tolerances. Use the following table to choose a suitable output capacitor:

**Table 3. Output Capacitor Selection Guide**

	Output Capacitance Range (Recommended Typical Value)	ESR range
LDO1	1 $\mu$ F – 20 $\mu$ F (2.2 $\mu$ F)	5 mohm – 500 mohm
LDO2	2 $\mu$ F – 20 $\mu$ F (4.7 $\mu$ F)	5 mohm – 500 mohm
LDO3	0.7 $\mu$ F – 2.2 $\mu$ F (1.0 $\mu$ F)	5 mohm – 500 mohm

## BOARD LAYOUT CONSIDERATIONS

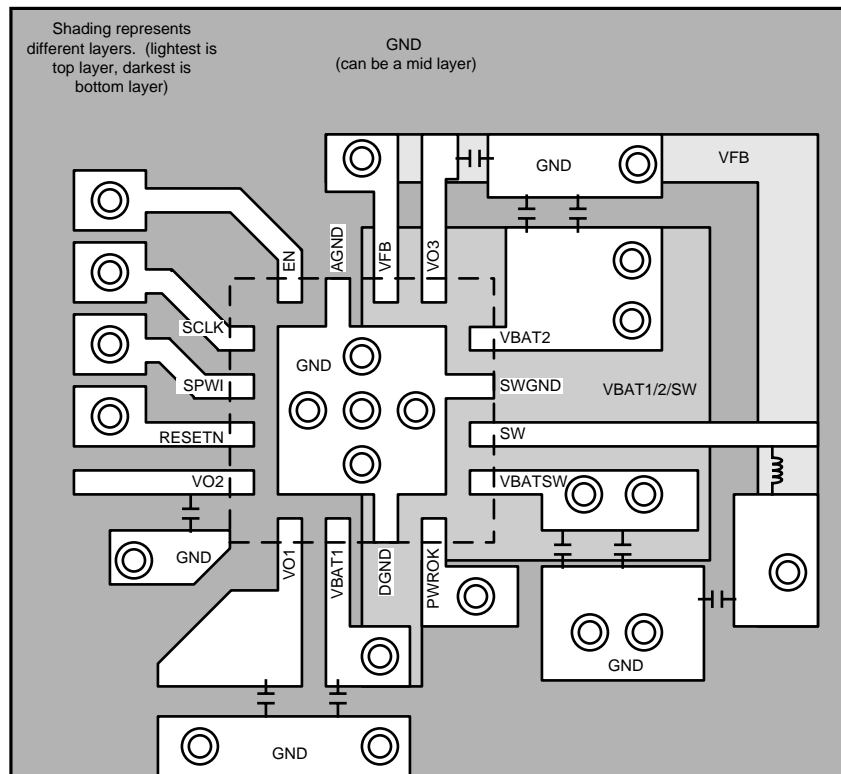


Figure 30. Board Layout Design Recommendations for the LP5550

## REVISION HISTORY

Changes from Revision F (April 2013) to Revision G	Page
• Changed layout of National Data Sheet to TI format .....	<a href="#">23</a>



**PACKAGING INFORMATION**

Orderable Device	Status (1)	Package Type	Package Drawing	Pins	Package Qty	Eco Plan (2)	Lead/Ball Finish (6)	MSL Peak Temp (3)	Op Temp (°C)	Device Marking (4/5)	Samples
LP5550SQ/NOPB	OBSOLETE	WQFN	RGH	16		TBD	Call TI	Call TI	-40 to 125		
LP5550SQX/NOPB	OBSOLETE	WQFN	RGH	16		TBD	Call TI	Call TI	-40 to 125		

(1) The marketing status values are defined as follows:

**ACTIVE:** Product device recommended for new designs.

**LIFEBUY:** TI has announced that the device will be discontinued, and a lifetime-buy period is in effect.

**NRND:** Not recommended for new designs. Device is in production to support existing customers, but TI does not recommend using this part in a new design.

**PREVIEW:** Device has been announced but is not in production. Samples may or may not be available.

**OBSOLETE:** TI has discontinued the production of the device.

(2) Eco Plan - The planned eco-friendly classification: Pb-Free (RoHS), Pb-Free (RoHS Exempt), or Green (RoHS & no Sb/Br) - please check <http://www.ti.com/productcontent> for the latest availability information and additional product content details.

**TBD:** The Pb-Free/Green conversion plan has not been defined.

**Pb-Free (RoHS):** TI's terms "Lead-Free" or "Pb-Free" mean semiconductor products that are compatible with the current RoHS requirements for all 6 substances, including the requirement that lead not exceed 0.1% by weight in homogeneous materials. Where designed to be soldered at high temperatures, TI Pb-Free products are suitable for use in specified lead-free processes.

**Pb-Free (RoHS Exempt):** This component has a RoHS exemption for either 1) lead-based flip-chip solder bumps used between the die and package, or 2) lead-based die adhesive used between the die and leadframe. The component is otherwise considered Pb-Free (RoHS compatible) as defined above.

**Green (RoHS & no Sb/Br):** TI defines "Green" to mean Pb-Free (RoHS compatible), and free of Bromine (Br) and Antimony (Sb) based flame retardants (Br or Sb do not exceed 0.1% by weight in homogeneous material)

(3) MSL, Peak Temp. - The Moisture Sensitivity Level rating according to the JEDEC industry standard classifications, and peak solder temperature.

(4) There may be additional marking, which relates to the logo, the lot trace code information, or the environmental category on the device.

(5) Multiple Device Markings will be inside parentheses. Only one Device Marking contained in parentheses and separated by a "~" will appear on a device. If a line is indented then it is a continuation of the previous line and the two combined represent the entire Device Marking for that device.

(6) Lead/Ball Finish - Orderable Devices may have multiple material finish options. Finish options are separated by a vertical ruled line. Lead/Ball Finish values may wrap to two lines if the finish value exceeds the maximum column width.

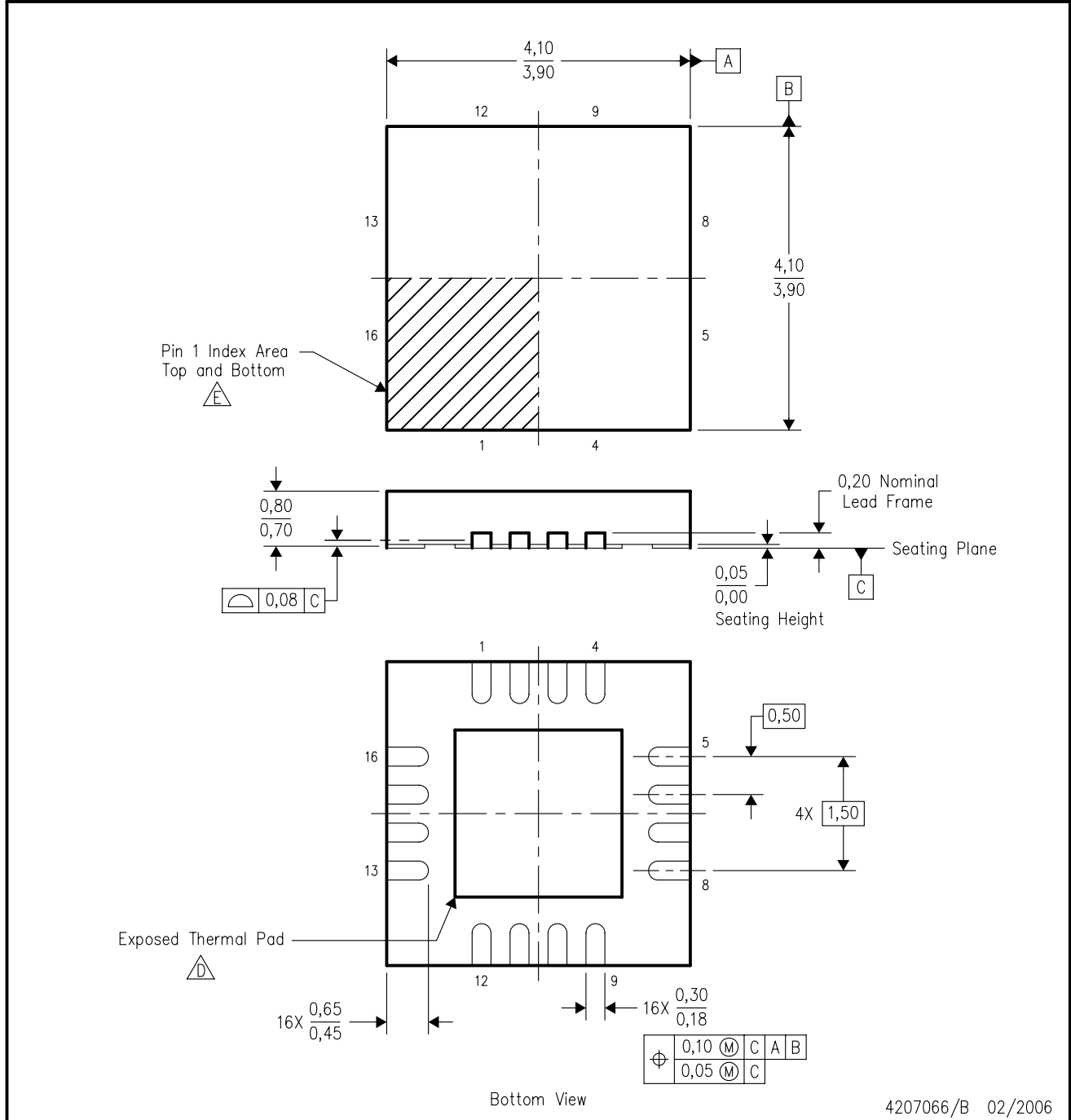
**Important Information and Disclaimer:** The information provided on this page represents TI's knowledge and belief as of the date that it is provided. TI bases its knowledge and belief on information provided by third parties, and makes no representation or warranty as to the accuracy of such information. Efforts are underway to better integrate information from third parties. TI has taken and continues to take reasonable steps to provide representative and accurate information but may not have conducted destructive testing or chemical analysis on incoming materials and chemicals. TI and TI suppliers consider certain information to be proprietary, and thus CAS numbers and other limited information may not be available for release.

In no event shall TI's liability arising out of such information exceed the total purchase price of the TI part(s) at issue in this document sold by TI to Customer on an annual basis.



RGH (S-PQFP-N16)

PLASTIC QUAD FLATPACK



4207066/B 02/2006

- NOTES:
- A. All linear dimensions are in millimeters. Dimensioning and tolerancing per ASME Y14.5M-1994.
  - B. This drawing is subject to change without notice.
  - C. QFN (Quad Flatpack No-Lead) package configuration.
  - The package thermal pad must be soldered to the board for thermal and mechanical performance. See the Product Data Sheet for details regarding the exposed thermal pad dimensions.
  - Pin 1 identifiers are located on both top and bottom of the package and within the zone indicated. The Pin 1 identifiers are either a molded, marked, or metal feature.
  - F. Complies to JEDEC MO-220 variation WGGD-4.

## IMPORTANT NOTICE

Texas Instruments Incorporated and its subsidiaries (TI) reserve the right to make corrections, enhancements, improvements and other changes to its semiconductor products and services per JESD46, latest issue, and to discontinue any product or service per JESD48, latest issue. Buyers should obtain the latest relevant information before placing orders and should verify that such information is current and complete. All semiconductor products (also referred to herein as "components") are sold subject to TI's terms and conditions of sale supplied at the time of order acknowledgment.

TI warrants performance of its components to the specifications applicable at the time of sale, in accordance with the warranty in TI's terms and conditions of sale of semiconductor products. Testing and other quality control techniques are used to the extent TI deems necessary to support this warranty. Except where mandated by applicable law, testing of all parameters of each component is not necessarily performed.

TI assumes no liability for applications assistance or the design of Buyers' products. Buyers are responsible for their products and applications using TI components. To minimize the risks associated with Buyers' products and applications, Buyers should provide adequate design and operating safeguards.

TI does not warrant or represent that any license, either express or implied, is granted under any patent right, copyright, mask work right, or other intellectual property right relating to any combination, machine, or process in which TI components or services are used. Information published by TI regarding third-party products or services does not constitute a license to use such products or services or a warranty or endorsement thereof. Use of such information may require a license from a third party under the patents or other intellectual property of the third party, or a license from TI under the patents or other intellectual property of TI.

Reproduction of significant portions of TI information in TI data books or data sheets is permissible only if reproduction is without alteration and is accompanied by all associated warranties, conditions, limitations, and notices. TI is not responsible or liable for such altered documentation. Information of third parties may be subject to additional restrictions.

Resale of TI components or services with statements different from or beyond the parameters stated by TI for that component or service voids all express and any implied warranties for the associated TI component or service and is an unfair and deceptive business practice. TI is not responsible or liable for any such statements.

Buyer acknowledges and agrees that it is solely responsible for compliance with all legal, regulatory and safety-related requirements concerning its products, and any use of TI components in its applications, notwithstanding any applications-related information or support that may be provided by TI. Buyer represents and agrees that it has all the necessary expertise to create and implement safeguards which anticipate dangerous consequences of failures, monitor failures and their consequences, lessen the likelihood of failures that might cause harm and take appropriate remedial actions. Buyer will fully indemnify TI and its representatives against any damages arising out of the use of any TI components in safety-critical applications.

In some cases, TI components may be promoted specifically to facilitate safety-related applications. With such components, TI's goal is to help enable customers to design and create their own end-product solutions that meet applicable functional safety standards and requirements. Nonetheless, such components are subject to these terms.

No TI components are authorized for use in FDA Class III (or similar life-critical medical equipment) unless authorized officers of the parties have executed a special agreement specifically governing such use.

Only those TI components which TI has specifically designated as military grade or "enhanced plastic" are designed and intended for use in military/aerospace applications or environments. Buyer acknowledges and agrees that any military or aerospace use of TI components which have **not** been so designated is solely at the Buyer's risk, and that Buyer is solely responsible for compliance with all legal and regulatory requirements in connection with such use.

TI has specifically designated certain components as meeting ISO/TS16949 requirements, mainly for automotive use. In any case of use of non-designated products, TI will not be responsible for any failure to meet ISO/TS16949.

### Products

Audio	<a href="http://www.ti.com/audio">www.ti.com/audio</a>
Amplifiers	<a href="http://amplifier.ti.com">amplifier.ti.com</a>
Data Converters	<a href="http://dataconverter.ti.com">dataconverter.ti.com</a>
DLP® Products	<a href="http://www.dlp.com">www.dlp.com</a>
DSP	<a href="http://dsp.ti.com">dsp.ti.com</a>
Clocks and Timers	<a href="http://www.ti.com/clocks">www.ti.com/clocks</a>
Interface	<a href="http://interface.ti.com">interface.ti.com</a>
Logic	<a href="http://logic.ti.com">logic.ti.com</a>
Power Mgmt	<a href="http://power.ti.com">power.ti.com</a>
Microcontrollers	<a href="http://microcontroller.ti.com">microcontroller.ti.com</a>
RFID	<a href="http://www.ti-rfid.com">www.ti-rfid.com</a>
OMAP Applications Processors	<a href="http://www.ti.com/omap">www.ti.com/omap</a>
Wireless Connectivity	<a href="http://www.ti.com/wirelessconnectivity">www.ti.com/wirelessconnectivity</a>

### Applications

Automotive and Transportation	<a href="http://www.ti.com/automotive">www.ti.com/automotive</a>
Communications and Telecom	<a href="http://www.ti.com/communications">www.ti.com/communications</a>
Computers and Peripherals	<a href="http://www.ti.com/computers">www.ti.com/computers</a>
Consumer Electronics	<a href="http://www.ti.com/consumer-apps">www.ti.com/consumer-apps</a>
Energy and Lighting	<a href="http://www.ti.com/energy">www.ti.com/energy</a>
Industrial	<a href="http://www.ti.com/industrial">www.ti.com/industrial</a>
Medical	<a href="http://www.ti.com/medical">www.ti.com/medical</a>
Security	<a href="http://www.ti.com/security">www.ti.com/security</a>
Space, Avionics and Defense	<a href="http://www.ti.com/space-avionics-defense">www.ti.com/space-avionics-defense</a>
Video and Imaging	<a href="http://www.ti.com/video">www.ti.com/video</a>

### TI E2E Community

[e2e.ti.com](http://e2e.ti.com)