

# Gigabit Transformer Modules With Power Over Ethernet Option

Link-PP Int'l Technology

- ※ Meets IEEE 802.3 specification
- ※ For RoHS part add suffix NL
- ※ RoHS "NL" peak solder rating 235°C



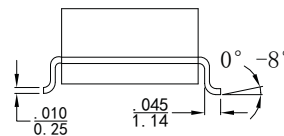
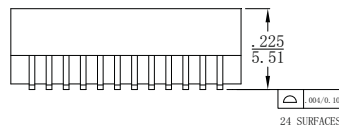
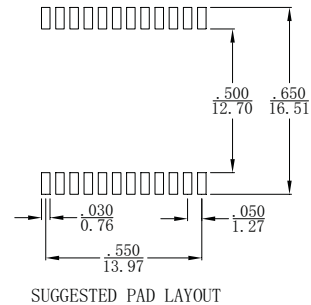
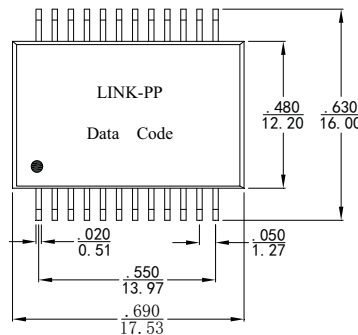
## Electrical Specifications @ 25°C --- Operating Temperature 0°C to 70°C

Part Number	PoE	Turns Ratio		Insertion Loss (dB MAX)			Return Loss (Zout=100Ω±15%)				Crosstalk (adjacent channels, dB MIN)			Hipot (Vrms MIN)
		TX	RX	0.1MHz	100MHz	125MHz	30MHz	60MHz	80MHz	100MHz	30MHz	60MHz	100MHz	
LP5062NL*	No	1:1	1:1	-1.1	-1.0	-2.0	-18	-12	-12	-10	-43	-37	-33	1500
LP6062NL*	Yes	1:1	1:1	-1.1	-1.0	-2.0	-18	-12	-12	-10	-43	-37	-33	1500

\*NL is Lead free

## Mechanical

### LP5062NL/LP6062NL

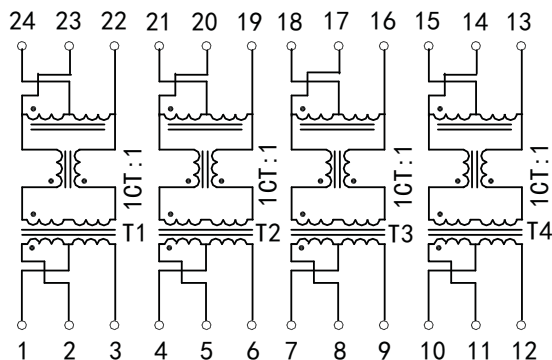


Dimensions:  $\frac{\text{Inches}}{\text{mm}}$

Unless otherwise specified, all tolerances are  $\pm 0.010$

## Schematics

### LP5062NL



### LP6062NL

