

26V/2.1A Current Boost With OCP IN SOT23-6 Package

General Description

The LP6217 is high efficiency Boost DC/DC Converter, fixed frequency, current-mode step-up converter with output to input disconnect. A PWM step-up DC/DC converters optimized to provide a high efficiency solution to medium power system. Its PWM circuitry with built-in 2.1A@200mΩ power mosfet makes this converter highly power efficiently. Selectable high switching frequency allows faster loop response and easy filtering with a low noise output. The non-inverting input its error amplifier is connected to an internal 0.6V precision reference voltage. Soft-start time can be programmed with an external capacitor, which sets the input current ramp rate. Current mode control and external compensation network make it easy and flexible to stabilize the system. the devices regulates the output voltage up to 12V from either a 2cell NiMH/NiCd or a single-cell Li-ion Battery with a 1MHz fixed frequency switching. These features minimize overall solution footprint by allowing the use of tiny, low profile inductors and ceramic capacitors.

Ordering Information

LP6217 - □ □ □
 F: Pb-Free
 Package Type
 B6: SOT23-6

Marking Information

Please see website.

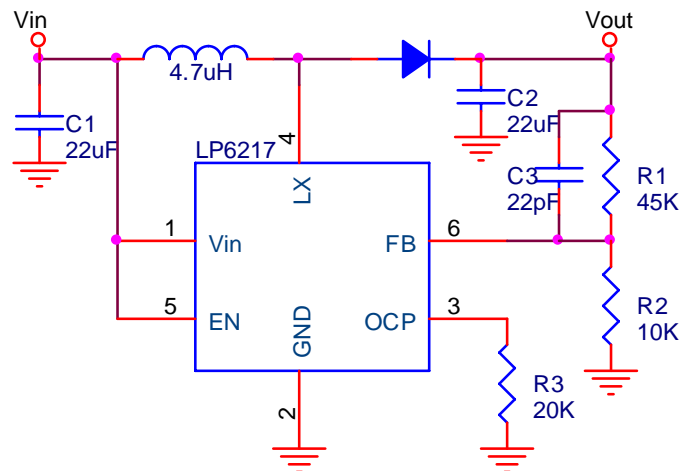
Features

- ✧ Up to 94% efficiency
- ✧ Shut-down current:<1uA
- ✧ Output voltage Up to 24V
- ✧ 1MHz fixed frequency switching
- ✧ High switch on current:2.1A,24V@200mΩ
- ✧ Adjustable OCP: 0.5A-2A
- ✧ Available in SOT23-6 Package

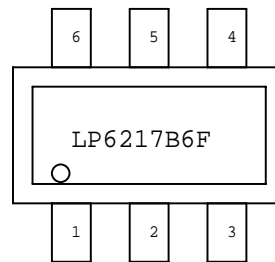
Applications

- ✧ Battery products
- ✧ Host Products
- ✧ Motor Power Devices

Typical Application Circuit



Pin Configurations

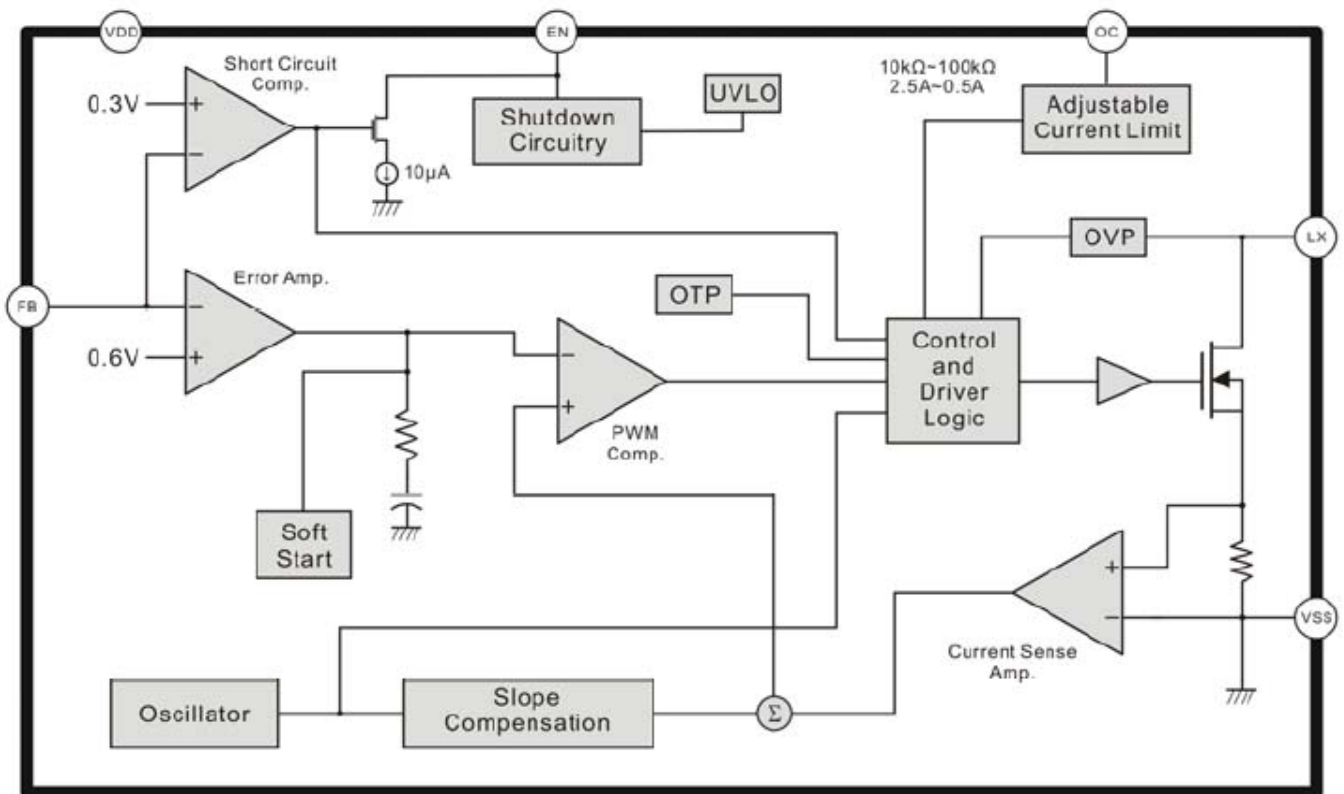


(SOT23-6)

Functional Pin Description

PIN	PIN Name	Description
1	Vin	IC Power Supply.
2	GND	Ground.
3	OCP	Current Limit Adjustable pin.
4	LX	Output switching node. SW is the drain of the internal N-Channel MOSFET and RDS-ON is 100mΩ. Connect the inductor to SW to Complete the step-up converter.
5	EN	Regulator On/off Control Input. A logic high input(VEN>1.4V) turns on the regulator. A logic low input(VEN<0.4V) puts the LP6217 into low current shutdown mode.
6	FB	Regulation Feedback Input. Connect to an external resistive voltage divider from the output to FB to set the output voltage. Vfb=0.6V.

Function Block Diagram



Absolute Maximum Ratings

Supply Input Voltage-----6V

Package Thermal Resistance

SOT23-6, θ_{JA} -----68°C/W

Lead Temperature (Soldering, 10 sec.) -----260°C

Storage Temperature Range ----- -65°C to 150°C

Recommended Operating Conditions

Supply Input Voltage----- 2.2V to 6V

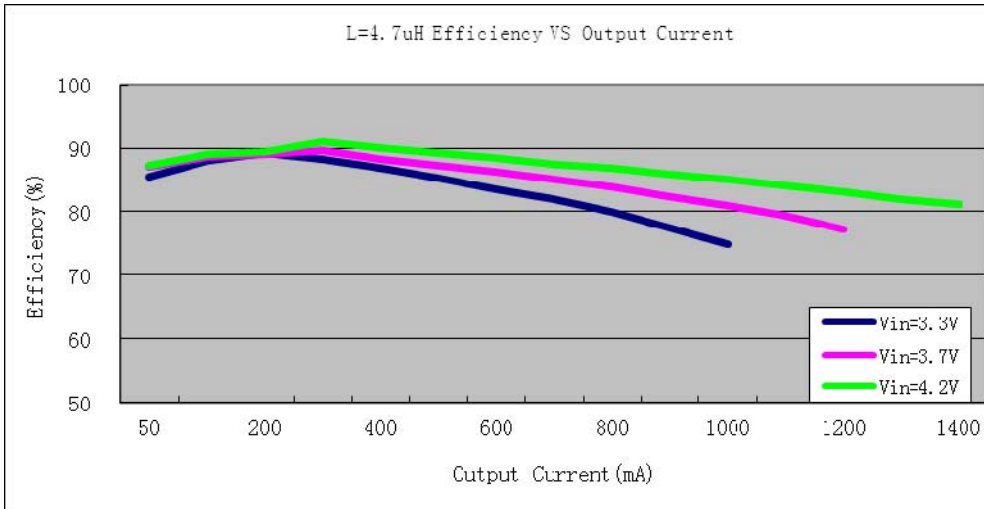
SW Pin Voltage----- 26V

EN Input Voltage -----0V to 5.5V

Electrical Characteristics

Parameter	Conditions	LP6217			Units
		Min	Typ.	Max	
Supply Voltage		2.2		5	V
Output Voltage Range		2.5		24	V
Supply Current(Shutdown)	VEN=VOUT=0V, VSW=5V		0.05	1	uA
Supply Current	VFB=1.3V		0.2		mA
Disable Supply Current	EN=GND		0.1		uA
Feedback Voltage		0.588	0.6	0.612	V
Feedback Input Current	VFB=1.2V		50		nA
Switching Frequency			1		MHz
Maximum Duty Cycle		80	85	90	%
EN Input Low Voltage				0.6	V
EN Input High Voltage		1.4			V
Mosfet On Resistance			200		mΩ
Mosfet Voltage(VDS)			26		V
NMOS Current Limit		2.1			A
OCP Adjustable Range	R3=10k-100kΩ	0.5		2.5	A
Soft-start Reset Switch Resistance				100	Ω
Soft-start Input Source Current	VSS=1.2V		4.0		uA

Typical Operating Characteristics (VDD=3.3V,Vout=5V)



Operation Information

Output Voltage

The error amplifier compares a sample of the dc-dc converter output voltage with the 0.6V (VREF) reference and generates an error signal for the PWM comparator. Output voltage of dc-dc converter is setting with the resistor divider by the following equation:

$$V_{out} = (R1/R2 + 1) \times 0.6V$$

Oscillator

The switching frequency of LP6217 up to operate at either 1MHz.

Soft Start

The soft start is functional after power on. The interval of soft start time is determined by a capacitor connected to SS pin. When EN pin is taken high, the soft start capacitor (CSS) is charged by a constant current of 4 μ A (typ). During this interval, the SS voltage directly controls the peak inductor current. The maximum load current is available after the soft-start interval is completed. Once the EN pin is taken low, the soft-start capacitor is discharged to ground to prepare for next start-up.

The load must wait for the soft-start interval to finish before drawing a significant amount of load current. The duration after which the load can begin to draw maximum load current is:

$$T_{MAX} = 6.77 \times 10^5 C_{SS}$$

EN

The LP6217 can be turn off to reduce the supply current to 0.1 μ A when EN is low. In this mode, the internal reference, error amplifier, comparators, and biasing circuitry turn off while the N-channel MOSFET is turned off. The boost converter's output is connected to VCC by the external inductor and catch diode.

Output Current Capability

The output current capability of the LP6217 is a function of current limit, input voltage, operation frequency, and inductor value. Because of the slope compensation used to stabilize the feedback loop,

the duty cycle affects the current limit. The output current capability is governed by the following equation:

$$I_{OUT(MAX)} = [I_{LM} \times (1.26 - 0.4 \times \text{Duty}) - 0.5 \times \text{Duty} \times V_{IN} / (f_{OSC} \times L)] \times \eta \times V_{IN} / V_{OUT}$$

Current Limitation

The internal power-MOS switch current is monitored cycle-by-cycle and is limited to the value not exceed 2A (Typ.). When the switch current reaches the limited value, the internal power-MOS is turned off immediately until the next cycle.

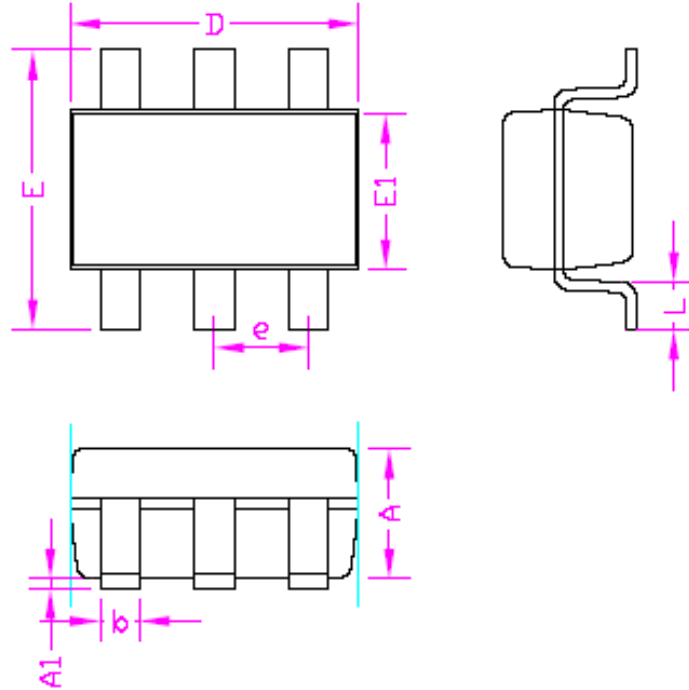
A resistor between OCP and GND pin programs peak switch current. The resistor value should be between 10k and 100k. The current limit will be set from 2.5A to 0.5A. Keep traces at this pin as short as possible. Do not put capacitance at this pin.

Layout considerations

Typical for all switching power supplies, the layout is an important step in the design; especially at high peak currents and switching frequencies. If the layout is not carefully done, the regulator might show noise problem and duty cycle jitter. The input capacitor should be placed as close as possible to the input pin for good input voltage filtering. The inductor and diode should be placed as close as possible to the switch pin to minimize the noise coupling into other circuits. Since the feedback pin and network is a high impedance circuit the feedback network should be routed away from the inductor. The feedback pin and feedback network should be shielded with a ground plane or trace to minimize noise coupling into this circuit.

Packaging Information

SOT23-6



SYMBOLS	MILLIMETERS		INCHES	
	MIN.	MAX.	MIN.	MAX.
A	-	1.45	-	0.057
A1	0.00	0.15	0.000	0.006
b	0.30	0.50	0.012	0.020
D	2.90		0.114	
E1	1.60		0.063	
e	0.95		0.037	
E	2.60	3.00	0.102	0.118
L	0.3	0.60	0.012	0.024