

ADSL Line LPAnformer

Link-PP Int'l Technology

- ※Design exceeds standards for ANSI and ETSI
- ※Excellent THD performance
- ※Isolation voltage: up to 2000 Vrms
- ※Matched to Alcatel Microelectronics MTK-20131 ADSL Chipset
- ※UL 1950 approved to supplementary insulation requirements
- ※For RoHS part add suffix NL
- ※RoHS NL peak solder rating 235°C



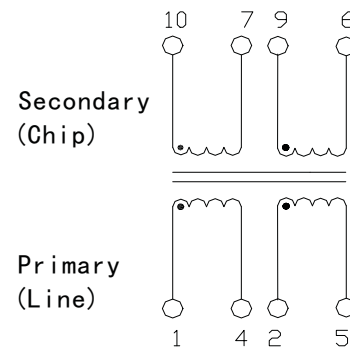
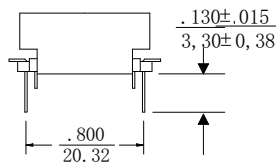
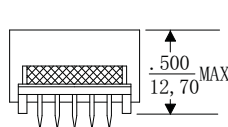
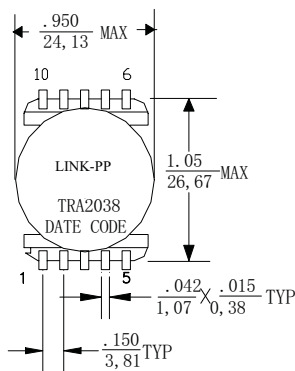
Electrical Specifications @25°C — Operating Temperature -40°C to 85°C

Part Number	Turns Ratio Chip-Line (±2%)	OCL Primary (1-5)/2-4shorted (μH ±5%)	Leakage Inductance (μH MAX)	Insertion Loss (MAX)	DC Resistance @ (1-4),(2-5) (Ω MAX)	DC Resistance @ (10-7),(9-6) (Ω MAX)	Insertion Voltage (Vrms)	THD (MAX)	Application	Mounting
LPA2038	1:1:1:1	440	15	3dB@40KHz -2MHz	0.16	1.20	2000	-70dB @ 40 KHz	CPE	THT

Mechanical

Schematic

LPA2038



Dimensions: $\frac{\text{Inches}}{\text{mm}}$

Unless otherwise specified,

all tolerances are $\pm \frac{.010}{0,25}$