

# ADSL Line LPAnformer

Link-PP Int'l Technology

- ※For Use with STMicro's Dynamite Chipset  
MTK-20140, MTK-20150 and MTK-20450 CO/CPE chipsets
- ※For RoHS part add suffix NL
- ※RoHS NL peak solder rating 235°C



## Electrical Specifications @25°C --- Operating Temperature -40°C to +85°C

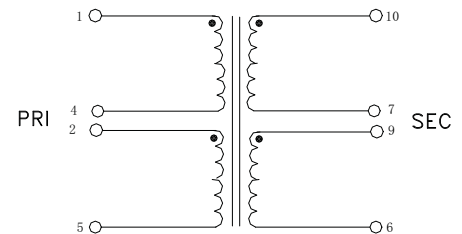
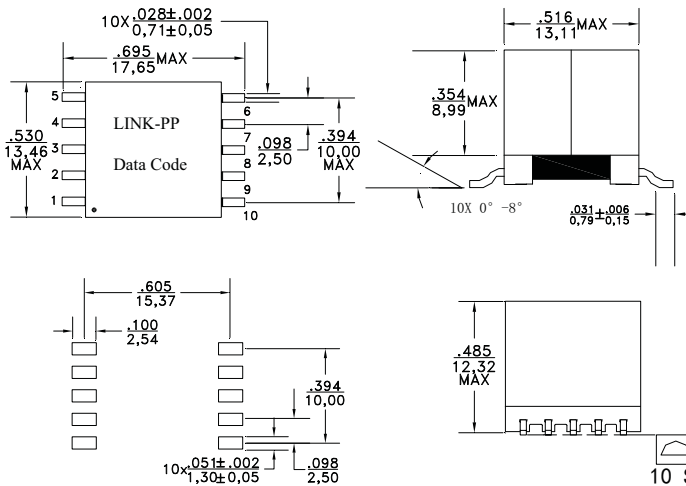
Part Number	Turns Ratio (Line:Chip)	OCL Primary ( $\mu\text{H} \pm 6\%$ )	Leakage Inductance ( $\mu\text{H}$ MAX)	DCR Primary (1-4&2-5) ( $\Omega$ MAX)	DCR Secondary (10-7&9-6) ( $\Omega$ MAX)	Isolation Voltage (Vrms)	THD@30kHz, 1.58 Vp-p (dB MIN)
LPA2232	2:1	409.5	6.5	0.6	0.2	1500	-78

Part Number	Application	Mounting	Turns Ratio ( $\pm 2\%$ )	OCL @ 10KHz, 0.1V (1-4) with (2-3) shorted	DC resistance		Leakage Inductance @ 100KHz, 0.1V (1-4) with (2-3, 7-10, 8-9) shorted	Longitudinal Balance
					1-4	10-7		
LPA2323	CPE	SMT	1CS:1CS	480 $\mu\text{H}$ ( $\pm 10\%$ )	2.0 $\Omega$	2.2 $\Omega$	5.3 $\mu\text{H}$ MAX	dB MAX
								-55

### Mechanical

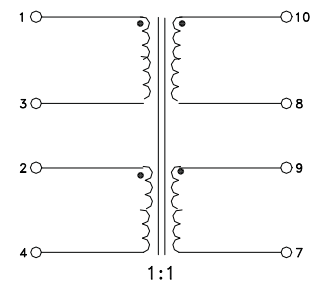
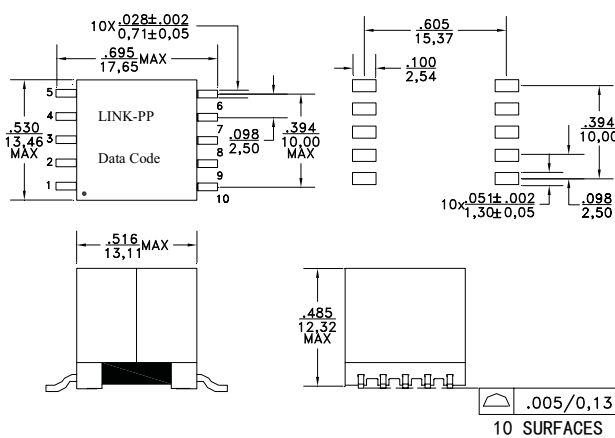
### Schematic

#### LPA2232



Dimensions:  $\frac{\text{Inches}}{\text{mm}}$   
Unless otherwise specified, all tolerances are  $\pm \frac{.010}{0,25}$

#### LPA2323



Dimensions:  $\frac{\text{Inches}}{\text{mm}}$   
Unless otherwise specified, all tolerances are  $\pm \frac{.010}{0,25}$