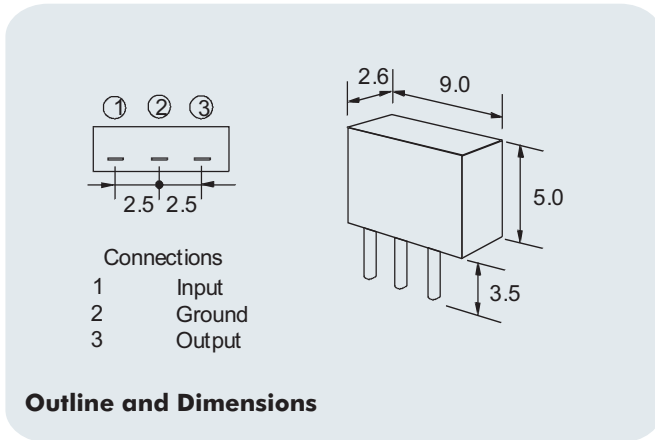


AM use - 2 Element

SPECIFICATION

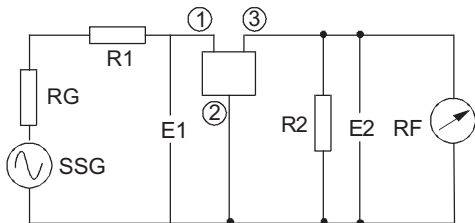


ELECTRICAL CHARACTERISTICS

Part Number	Centre Frequency (fo)	3dB Bandwidth	Selectivity (± 9 kHz off)	Insertion Loss (dB) max.
LPB 450J	450 \pm 2.0kHz	5.5 \pm 1.5kHz	17dB min. (23)	6dB max. (3)

() = typical values

TEST CIRCUIT



$$R1+RG=R2=3.0k\Omega$$

$$\text{Insertion Loss} = 2 \times \log(E1/2E2)$$

Recommended IFT Specifications

Item	7mm x 7mm IFT			5mm x 5mm IFT		
	①-②	②-③	④-⑥	①-②	②-③	④-⑥
	85T	67T	23T	84T	98T	33T
Unloaded Qu	90			65		
Tuning Capacity	180pF			180pF		