

# T1/CEPT/ISDN-Pri Transformers

Link-PP Int'l Technology

- ✳ Single Through Hole
- ✳ Isolation Voltage: 1500 Vrms MIN
- ✳ For RoHS part add suffix NL
- ✳ RoHS NL peak solder rating 235°C



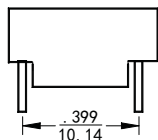
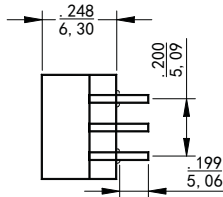
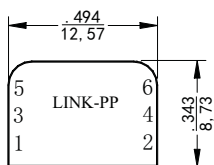
## Electrical Specifications @ 25°C

Part Number	Turns Ratio (Pri: Sec±5%)	OCL @ 25°C (mH MIN)	C <sub>ww</sub> (pF MAX)	L <sub>L</sub> (μH MAX)	DCR Pri (Ω MAX)	DCR Sec (Ω MAX)	Package/ Schematic	Primary Pins
<b>STANDARD TEMPERATURE RANGE SINGLE TRANSFORMERS -- OPERATING TEMPERATURE 0°C TO +70°C</b>								
LPB84931	1:1:1(1:2CS)	1.20	25	0.50	0.70	0.70&0.70	TE4/2	1-2
LPB84933	1CT:3CT	1.20	30	0.50	0.70	1.60	TE4/4	1-5
LPB84934	1:1	1.20	25	0.50	0.70	0.70	TE4/1	1-2
LPB84936	1CT:1	1.20	25	0.80	0.70	0.70	TE4/3	1-5
LPB84937	1:1.36	1.20	35	0.80	0.70	0.80	TE4/1	5-6
LPB84940	1.26CS:1(1:1:1.58)	0.30	30	0.60	0.80	0.60	TE4/2	1-4
LPB84941	1CS:1	0.80	30	0.60	0.80	0.60	TE4/2	1-4
LPB84942	1CS:1.31	0.80	30	0.40	0.80	0.60	TE4/2	1-4
LPB84943	1CT:2CT	1.20	30	0.30-0.55	0.70	1.20	TE4/4	1-5
LPB85351	1:2CT	1.20	40	0.50	0.70	1.30	TE4/3	2-6
LPB85363	1:4CT	0.50	40	1.00	0.50	1.50	TE4/5	1-5
LPB85379	1:1.14CT	1.20	35	0.80	0.70	0.80	TE4/5	1-5
LPB85388	1:1.15CT	1.50	35	0.60	0.70	0.90	TE4/3	2-6
LPB85389	1:1/1.26	1.50	40	0.40	0.70	0.90	TE4/3	2-6
LPB85415	1CT:2CT	1.20	30	0.50	0.70	1.20	TE4/4	1-5
LPB85558	1:2.3CT	1.20	35	0.80	0.70	1.40	TE4/5	1-5
LPB85586	1:1.36CT	1.20	35	0.80	0.70	0.90	TE4/5	1-5
LPB85755	1CT:1CT	1.20	25	0.80	0.80	0.80	TE4/4	1-5
LPB88644	1CT:1	0.70	20	0.70	0.20	0.80	TE4/3	1-5
LPB88645	1:1.36CT	0.70	20	0.70	0.50	0.40	TE4/5	1-5
LPB81054	1:1.5CT	1.20	30	0.60	0.70	1.00	TE4/3	2-6
LPB81249	1:1.26CT	1.20	60	0.80	0.90	1.00	TE4/4	2-6
<b>EXTENDED TEMPERATURE RANGE SINGLE TRANSFORMERS -- OPERATING TEMPERATURE -40°C TO +85°C</b>								
LPB85340	1:1.36	1.20	35	0.80	0.90	1.20	TE4/1	5-6
LPB85770	1:1.15CT	1.50	40	0.80	0.90	1.00	TE4/3	2-6
LPB85771	1CT:2CT	1.20	50	0.60	1.00	2.00	TE4/4	2-6
LPB85788	1CT:1CT	1.20	40	1.00	1.00	1.00	TE4/4	1-5
LPB88600	1CT:3CT	1.20	60	0.80	0.90	2.70	TE4/4	1-5
LPB88664	1:1/1.26	1.50	50	0.80	0.90	1.10	TE4/3	2-6

## Mechanical

## Schematics

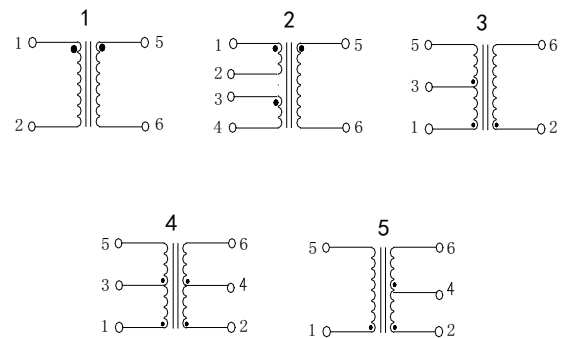
TE4



Dimensions:  $\frac{\text{Inches}}{\text{mm}}$

Unless otherwise specified, all tolerances are ±

$\frac{.010}{0,25}$



※Dual Through Hole

※1500 Vrms

### Electrical Specifications @ 25°C

Part Number	Turns Ratio (Pri: Sec±5%)	OCL @ 25°C (mH MIN)	C <sub>ww</sub> (pF MAX)	L <sub>L</sub> (μH MAX)	DCR Pri (Ω MAX)	DCR Sec (Ω MAX)	Package/ Schematic	Primary Pins
<b>STANDARD TEMPERATURE RANGE DUAL TRANSFORMERS – OPERATING TEMPERATURE 0°C TO +70°C</b>								
LPB84951	1:2CT&1:2CT	1.20&1.20	35&35	0.50&0.50	0.70&0.70	1.20&1.20	TE6/1	14-12,5-7
LPB84952	1:2CT&1:1.36	1.20&1.20	35&35	0.50&0.80	0.80&0.80	1.20&1.00	TE6/2	14-12,5-7
LPB84953	1:2CT&1:2CT	2.00&2.00	50&50	0.60&0.60	1.00&1.00	2.00&2.00	TE6/3	14-12,10-8
LPB84954	1CT:2CT&1:1	1.20&1.20	30&30	0.30-0.55&0.50	0.70&0.70	1.20&0.70	TE6/4	1-3,5-7
LPB84955	1:1.26CT&1.58:1	0.80&0.80	30&30	0.50&0.50	0.60&0.60	0.70&0.30	TE6/5	1-3,5-7
LPB84956	1:1CT&2:1	0.80&0.80	30&30	0.60&0.60	0.50&0.50	0.50&0.20	TE6/5	1-3,5-7
LPB84957	1CT:1.31&2.62:1	1.20&1.20	30&30	0.80&0.80	0.60&0.60	0.50&0.30	TE6/5	1-3,5-7
LPB85565	1:1.15CT&1:2CT	1.50&1.20	35&40	0.60&0.50	0.70&0.70	1.10&1.30	TE5/1	14-12,5-7
LPB85566	1:1/1.26&1:2CT	1.50&1.20	40&40	0.50&0.40	0.70&0.70	0.90&1.30	TE5/1	14-12,5-7
<b>EXTENDED TEMPERATURE RANGE DUAL TRANSFORMERS – OPERATING TEMPERATURE -40°C TO +85°C</b>								
LPB85567	1:1.15CT&1:2CT	1.50&1.20	40&60	0.80&0.80	0.90&0.90	1.00&1.70	TE5/1	14-12,5-7
LPB85568	1:1/1.26&1:2CT	1.50&1.20	50&60	0.80&0.80	0.90&0.90	1.00&1.70	TE5/1	14-12,5-7
LPB85774	1CT:2CT&1:1.36CT	1.20&1.20	50&50	0.96&0.80	1.00&1.00	1.70&1.20	TE5/7	14-12,5-7
LPB88618	1CT:1CT&3CT:1CT:25	1.20&32.0	40&65	0.80&0.80	1.00&3.00	1.00&1.20	TE7/6	1-3,11-9
LPB84950	1CT:1CT&1CT:3CT:1	1.20&1.60	50&50	0.80&0.80	1.00&0.80	1.00&2.00	TE7/6	1-3,4-6

### Mechanicals

TE5

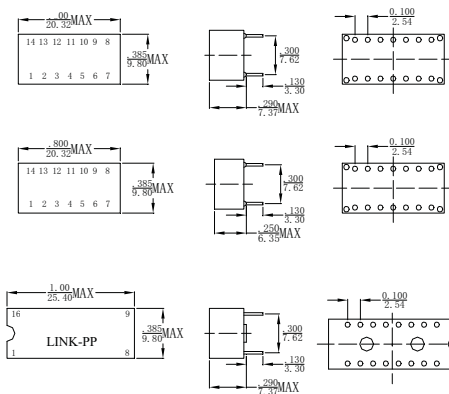
DUAL

TE6

DUAL

TE7

DUAL



### Schematics

