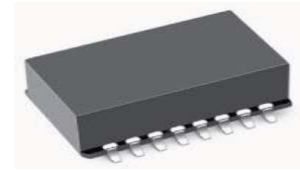


- ※Through Hole
- ※Single, 2000 Vrms
- ※For ROHS part add suffix NL
- ※RoHS "NL" peak solder rating 235°C



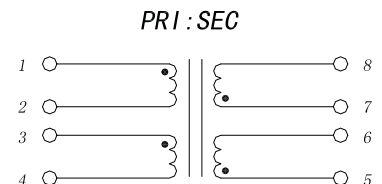
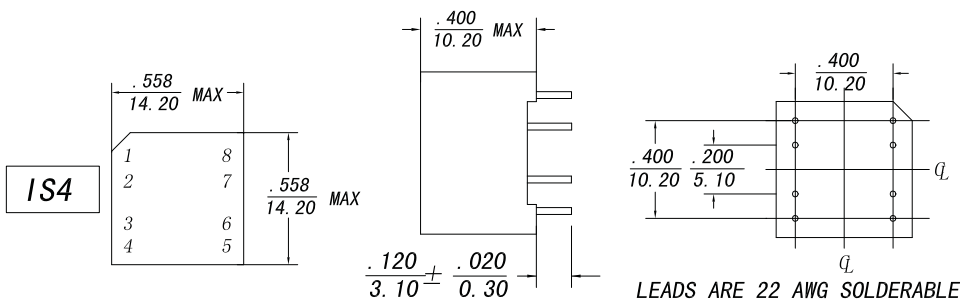
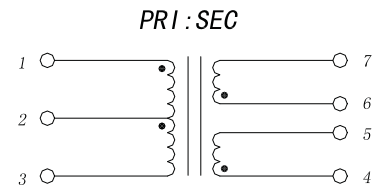
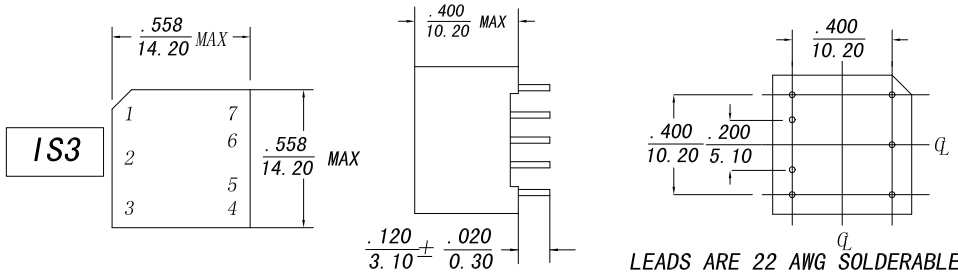
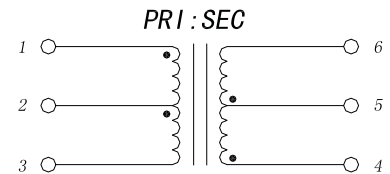
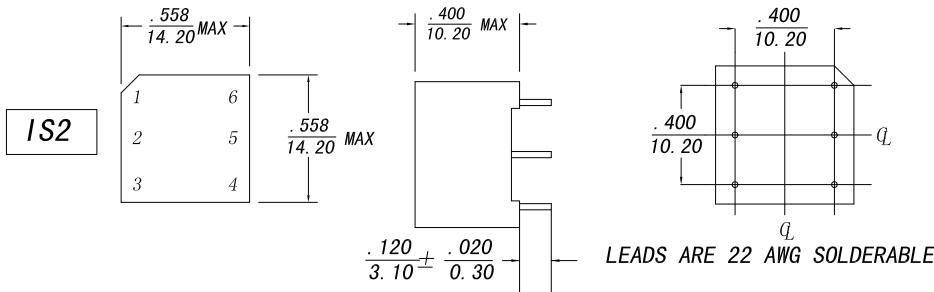
Electrical Specifications @25°C --- Operating Temperature 0°C to 70°C

2KV ISOLATION, THROUGH HOLE, SINGLE TRANSFORMERS

Part Number	Ratio ^A (±2%)	OCL Pri (mH MIN)	L. Sec (μH MAX)	C _{ww} (pF MAX)	CD Pri (pF MAX)	DCR Pri (Ω ±25%)	DCR Sec (Ω ±25%)	Isolation (Vrms MIN)	ΔIDC ^c (mA MAX)	Package/ Schematic
LPK84993	1CT: 1CT	22	5	100	42	2.4	2.4	2000	1	IS2
LPK84994	1CT: 1.8CS	22	15	100	160	2.5	4.2	2000	1	IS3
LPK84995	1CT: 2CT	22	15	100	80	2.5	4.3	2000	1	IS2
LPK84996	1CT: 2.5CS	22	30	100	150	2.5	5.8	2000	1	IS3
LPK84998	1CT: 2.5CS	22	15-40	100	110	2.5	5.8	2000	1	IS4
LPK84999	1CT: 2CT	22	11	100	180	2.4	4.4	2000	1	IS2

Mechanicals

Schematics



※Dual and Single Through Hole

Electrical Specifications @25°C --- Operating Temperature 0°C to 70°C

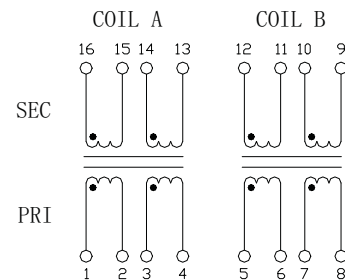
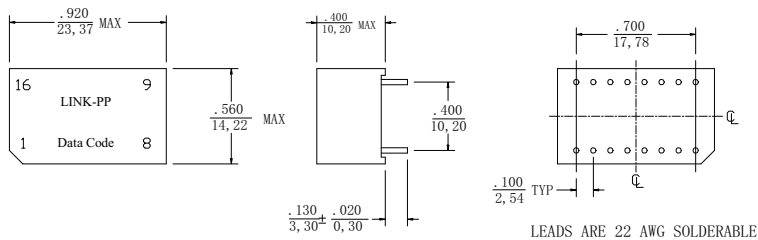
Part Number	COIL A				COIL B				Package/Schematic
	Ratio ^A	Equivalent Single	Primary Pins	Secondary Pins	Ratio ^A	Equivalent Single	Primary Pins	Secondary Pins	
LPK85492	1:1	LPK84993	1-4	16-13	1:2	LPK84995	5-8	12-9	IS5
LPK85493	1:1	LPK84993	1-4	16-13	1:1	LPK84993	5-8	12-9	IS5
LPK85495	1:2	LPK84995	1-4	16-13	1:2	LPK84995	5-8	12-9	IS5
LPK85498	1:2.5	LPK84998	1-4	16-13	1:2.5	LPK84998	5-8	12-9	IS5
LPK85499	1:2	LPK84999	1-4	16-13	1:2	LPK84999	5-8	12-9	IS5

NOTE: Refer to the equivalent single part number for electrical specifications.

Mechanical

Schematic

IS5



Electrical Specifications @25°C --- Operating Temperature 0°C to 70°C

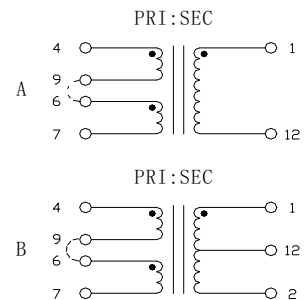
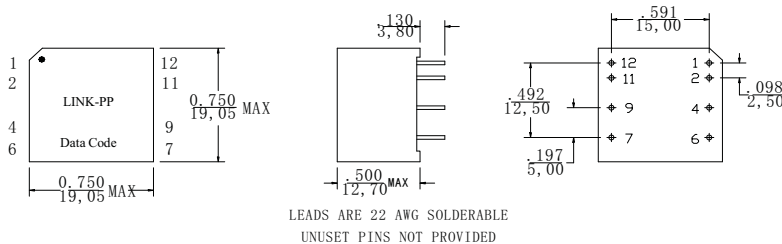
3KV REINFORCED ISOLATION, THROUGH HOLE, SINGLE TRANSFORMERS

Part Number	Ratio ^A ±2% (Pri:Sec)	OCL Pri (mH MIN)	L _L Sec (μH MAX)	C _{WW} (pF MAX)	C _D (pF MAX)	DCR (Ω ±25%)		Unbalanced I _{dc} ^c (mA MAX)	Package/ Schematic
						Primary	Secondary		
LPK88992	1CS: 2CT	22	15	60	80	3.0	5.5	5	IS6
LPK88993	1CS: 1	22	5	40	40	2.8	2.7	5	IS6
LPK88995	1CS: 2	22	15	60	80	3.0	5.5	5	IS6
LPK88998	1CS: 2.5	22	8-40	60	110	3.0	7.0	5	IS6
LPK88999	1CS: 2	22	11	50	110	2.8	5.5	5	IS6

Mechanical

Schematic

IS6



※ Transformer Selection and Guide

IC Manufacturer	IC Part number	Dual	Single		Dual	Single	
		Surface Mount	Through Hole, 2KVrms	Through Hole	Through Hole	Through Hole, 3KVrms	Through Hole
		Trans & Rec	Transmit	Receive	Trans&Rec	Transmit	Receive
AMD	Am79C30A/79C32A	LPK85799	LPK84999	LPK84999	LPK85499	LPK88999	LPK88999
AT&T/Lucent	T7250/7256/7259	LPK85798	LPK84998	LPK84998	LPK85498	LPK88998	LPK88998
	T7903	LPK85795	LPK84995	LPK84995	LPK85495	LPK88995	LPK88995
Mietec	MTC-2072	LPK85795	LPK84995	LPK84995	LPK85495	LPK88995	LPK88995
Zarlink(Mitel)	MT8930	LPK85795	LPK84995	LPK84995	LPK85495	LPK88995	LPK88995
Motorola	MC145474/145475	LPK85793	LPK84993	LPK84993	LPK85493	LPK88993	LPK88993
	MC145574	LPK85798	LPK84998	LPK84998	LPK85498	LPK88998	LPK88998
National	TP3420/3421	LPK85795	LPK84995	LPK84995	LPK85495	LPK88995	LPK88995
SGS Thomson	ST5420,ST5421	LPK85795	LPK84995	LPK84995	LPK85495	LPK88995	LPK88995
Siemens	PEB2080/2081/2085	LPK85795	LPK84995	LPK84995	LPK85495	LPK88995	LPK88995
	PSB2186						
Yamaha	PEB2084/2086	LPK85795	LPK84995	LPK84995	LPK85495	LPK88995	LPK88995
	7405B						

Common Mode chokes for Telecom Application

Electrical Specifications @ 25°C --- Operating Temperature 0°C to 70°C

Part Number	OCL Pri	L _L Sec (μ H MAX)	C _{WW} (pF MAX)	DCR (Ω MAX)	Isolation (Vrms MIN)	Package/Schematic
LOW FREQUENCY						
LPB85541	6.0mH MIN	35	25	1.40	1,500	CMC3/A(Through Hole)
LPB85542	1.0mH MIN	10	10	0.70	1,500	CMC3/A(Through Hole)
LPB85853	4.7mH ± 30%	1	60	1.20	500	CMC2/B(Surface Mount)
LPB85950	4.7mH ± 30%	1	50	1.00	500	CMC3/A(Through Hole)
LPB88613	4.7mH ± 30%	1	60	1.00	500	CMC1/B(Through Hole)

Note: Please see T1/E1 Datasheet for high frequency CMC.

Mechanicals

CMC1

Dimensions: .400 MAX, .505 MAX, .115 ± .010, 2.92 ± 0.25, .100, 2.54, .300, 7.62, .400, 10.16, .200, 5.08, .558, 14.20 MAX, .400, 10.20 MAX, .130 ± .010, 3.30 ± 0.25, .400, 10.20, .200, 5.10

CMC3

Dimensions: .558, 14.20 MAX, .400, 10.20 MAX, .130 ± .010, 3.30 ± 0.25, .400, 10.20, .200, 5.10

CMC2

Dimensions: .550, 13.97 MAX, .100, 2.54, .030, 0.76, .720, 18.29 MAX, .530, 13.46 MAX, .600, 15.24, .200, 5.08, .072, 1.83, .120, 3.05 TYP, .050, 1.30 TYP, .760, 19.30, .520, 13.20, .400, 10.16, .200, 5.08, .100, 2.54, .390, 9.91 MAX, .040/.050, 1.01/1.27, .010/.020, 0.25/0.51

Schematics

Diagram A: Pins 1, 3, 5, 7, 2, 4, 6, 8

Diagram B: Pins 10, 9, 7, 6, 1, 2, 4, 5

Dimensions: $\frac{\text{Inches}}{\text{mm}}$
 Unless otherwise specified,
 all tolerances are $\pm \frac{0.10}{0.25}$