

# T3/DS3/E3/STS-1 Transformers

Link-PP Int'l Technology

- ※Designed for T3,DS3 and STS-1 Interfaces
- ※Through hole and surface mount packages available
- ※For RoHS part add suffix NL
- ※RoHS "NL" peak solder rating 235°C



## Electrical Specifications @ 25°C ---- Operating Temperature 0°C to 70°C

Part Number	Turns Ratio (±2%)	OCL Primary (μH MIN)	OCL at -40°C (μH MAX)	L <sub>L</sub> (μH MAX)	C <sub>w/w</sub> (pF MAX)	Bandwidth 75 Ω System (MHz TYP)	Isolation Voltage (Vrms MIN)	Package/Schematic	Primary Pins
LPB85661	1:2CT	35	20	.12	10	-	1500	T3S1/B SMT	2-6
LPB85662	1:1	45	30	.12	13	-	1500	T3S1/A SMT	2-6
LPB85663	1:1	40	30	.12	13	-	1500	T3T1/A THT	2-6
LPB85664	1:2CT	35	20	.12	10	-	1500	T3T1/B THT	2-6
LPB85779	1:4CT	150	-	.30	15	-	1500	T3T1/B THT	2-6
LPB85856	1:1.73CT	50	-	.10	12	.060-300	1500	T3T2/C THT	4-6
LPB85966	1:1	40	-	.10	10	.200-340	1500	T3T3/E THT	4-6
LPB85967	1:1	40	-	.10	10	.200-340	1500	T3S2/E SMT	4-6
LPB85968	1:2CT	19	-	.06	10	.250-500	1500	T3S2/C SMT	4-6
LPB85969	1:2CT	19	-	.06	10	.250-500	1500	T3T2/C THT	4-6
LPB88629	1:1	40	-	.10	5	-	3000 <sup>4</sup>	T3T3/A THT	1-5
LPB88630	1:2CT	19	-	.06	10	-	3000 <sup>4</sup>	T3T3/D THT	1-5

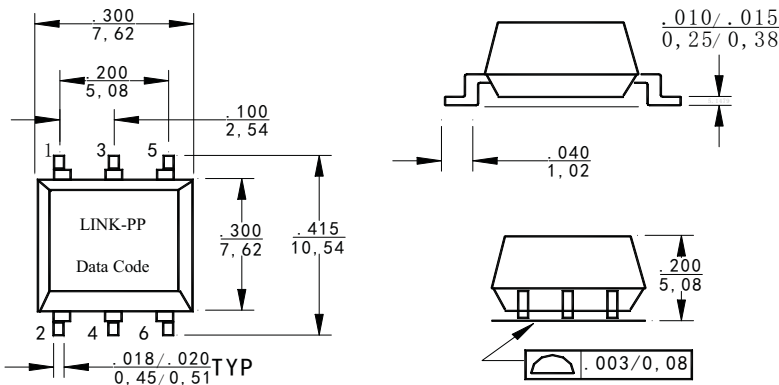
## Electrical Specifications @ 25 °C

Part Number	Turns Ratio (Pri:Sec ±5%)	OCL @ 25°C (mH MIN)	C <sub>w/w</sub> (pF MAX)	L <sub>L</sub> (μH MAX)	DCR Pri (Ω MAX)	DCR Sec (Ω MAX)	Isolation Voltage (Vrms MIN)	Package/Schematic	Primary Pins
LPB84934	1:1	1.20	25	0.50	0.70	0.70	1500	T3T3/F	1-2

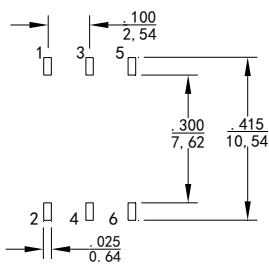
## Mechanicals

## Schematics

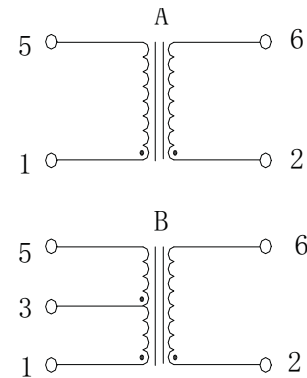
### T3S1



Dimensions:  $\frac{\text{Inches}}{\text{mm}}$   
 Unless otherwise specified  
 all tolerances are  $\pm \frac{.010}{0.25}$



SUGGESTED PAD LAYOUT



# T3/DS3/E3/STS-1 Transformers

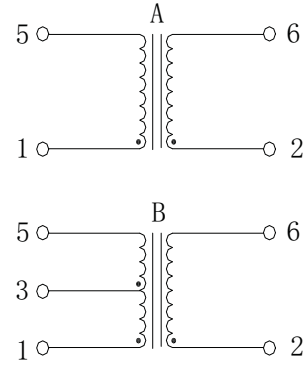
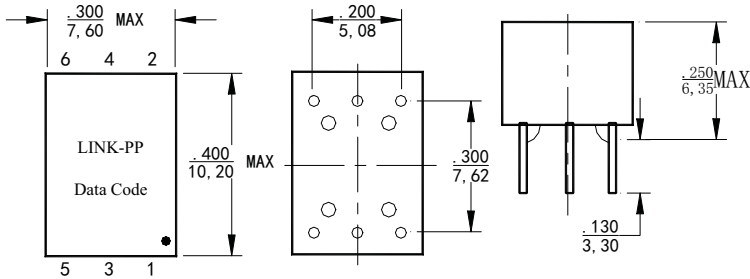
Link-PP Int'l Technology

※ Designed for T3, DS3 and STS-1 Interfaces  
 ※ Through hole and surface mount packages available

## Mechanicals

## Schematics

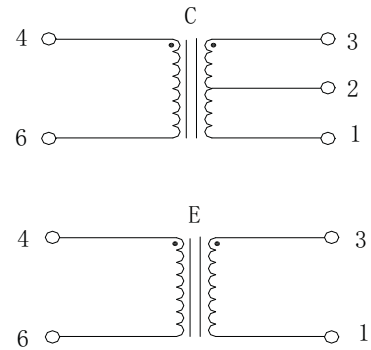
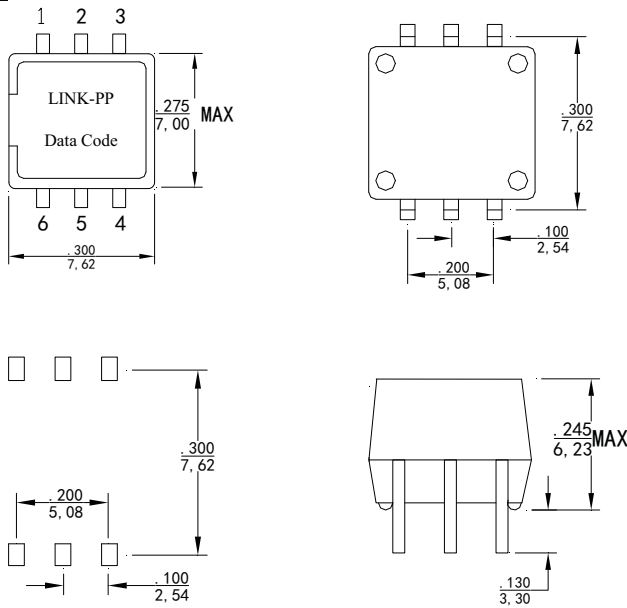
### T3T1



Dimensions:  $\frac{\text{Inches}}{\text{mm}}$

Unless otherwise specified all tolerances are  $\pm 0,25$   $\frac{.010}{.25}$

### T3T2



Dimensions:  $\frac{\text{Inches}}{\text{mm}}$

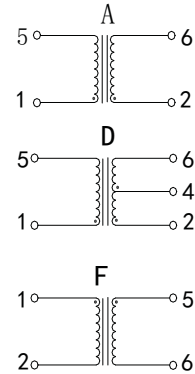
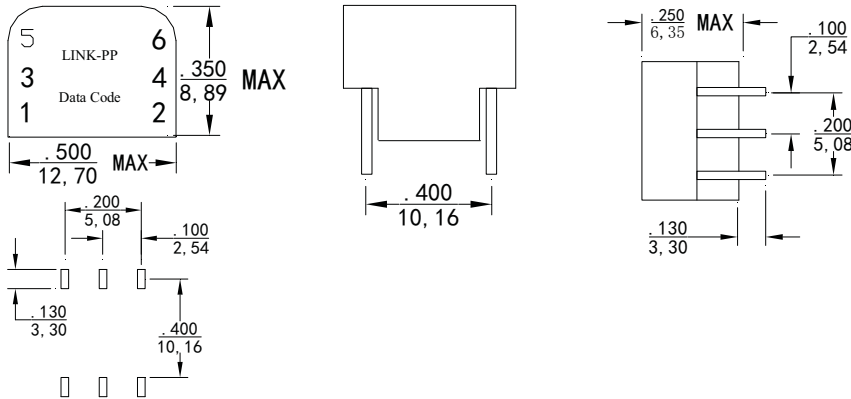
Unless otherwise specified all tolerances are  $\pm 0,25$   $\frac{.010}{.25}$

※ Designed for T3, DS3 and STS-1 Interfaces  
 ※ Through hole and surface mount packages available

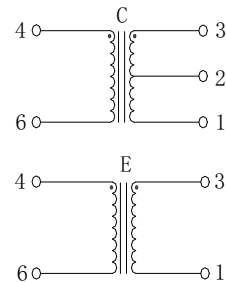
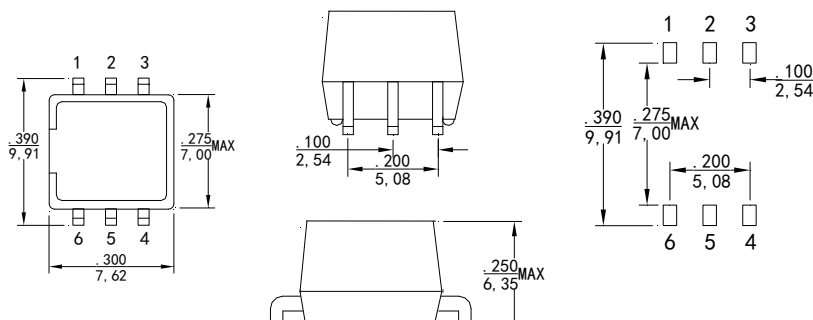
## Mechanicals

## Schematics

### T3T3



### T3S2



## Transformer Selection Guide

Chip Manufacturer	Surface Mount		Through Hole (1500Vrms)		Through hole (3000Vrms)	
	Transmit	Receive	Transmit	Receive	Transmit	Receive
<b>AT&amp;T/Lucent</b>						
T7296	LPB85967	--	LPB85966	--	LPB88629	--
<b>Exar</b>						
XR-T7296	LPB85967	--	LPB85966	--	LPB88629	--
<b>Silicon Systems</b>						
SSI 78P236,DS3	LPB85968	LPB85967	LPB85969	LPB85966	LPB88630	LPB88629
SSI 78P7200,DS3	LPB85968	LPB85967	LPB85969	LPB85966	LPB88630	LPB88629
SSI 78P7200,E3	LPB85968	LPB85968	LPB85969	LPB85969	LPB88630	LPB88630
SSI 78P2361,STS-1	LPB85968	LPB85967	LPB85969	LPB85966	LPB88630	LPB88629
SSI 78P2362,E3	LPB85968	LPB85967	LPB85969	LPB85966	LPB88630	LPB88629
<b>Tran switch</b>						
MRT TXC-02050,E3	LPB85968	LPB85967	LPB85969	LPB85966	LPB88630	LPB88629
ART 02020 DS3, STS-1	LPB85967	LPB85967	LPB85966	LPB85966	LPB88629	LPB88629