

10GBASE-T Magnetics Modules

Link-PP Int'l Technology

- ※Designed to Support 10GBASE-T Transceivers
- ※Compliant with IEEE 802.3 standard
- ※Qualified with top 10Gig PHY Manufacturer
- ※RoHS peak reflow temperature rating: 245°C
- ※Low profile package for PCI Express
- ※Fine-tuned magnetics to specific PHY vendors

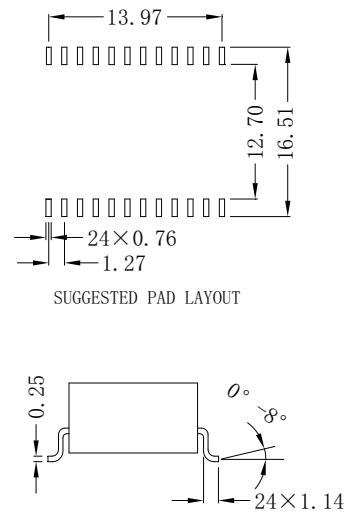
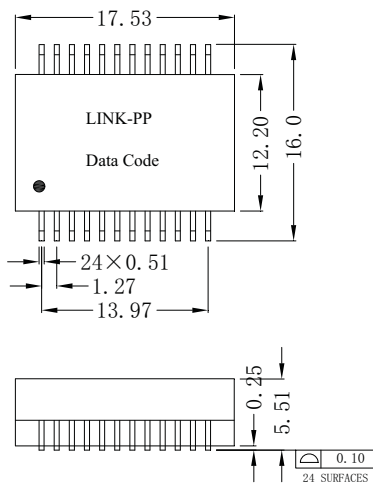


Electrical Specifications @ 25°C --- Operating Temperature 0°C to 70°C

Part Number	Insertion Loss (dB MAX)		Return Loss (dB MIN)		Common to Differential Mode Rejection (dB MIN)		Crosstalk (dB MIN)		Hipot (Vrms MIN)
	100 KHz	1-500 MHz	1-40 MHz	40-500 MHz	1-250 MHz	250-500 MHz	1-100 MHz	100-500MHz	
LPM5108	-3.0	-1.0(-0.6 dB TYP)	-18	-17+10*LOG(f/40)	-30	-22	-40	-30	1500
LPM5109	-3.0	-1.0(-0.6 dB TYP)	-18	-17+10*LOG(f/40)	-30	-22	-40	-30	1500

Mechanical

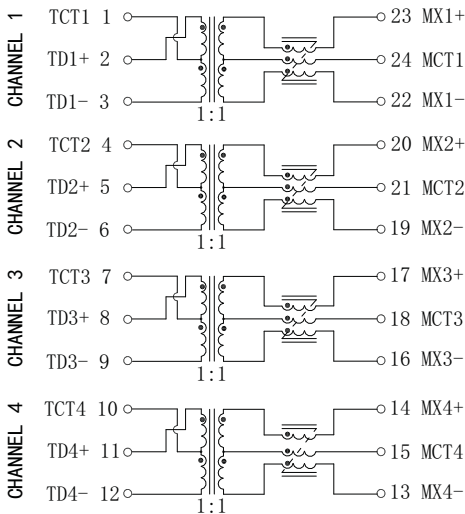
LPM5108, LPM5109



Dimensions: mm
Unless otherwise specified,
all tolerances are ±0.25

Schematic

LPM5108



LPM5109

