

LPS-785-FC

Description

Thorlabs' Single Mode Pigtailed Laser Diodes are standard TO-packaged diodes that have been pigtailed to a 1 m long single mode fiber with an FC/PC connector. Each unit is tested before shipment. Please refer to the unit-specific test datasheet for optimal operating parameters.

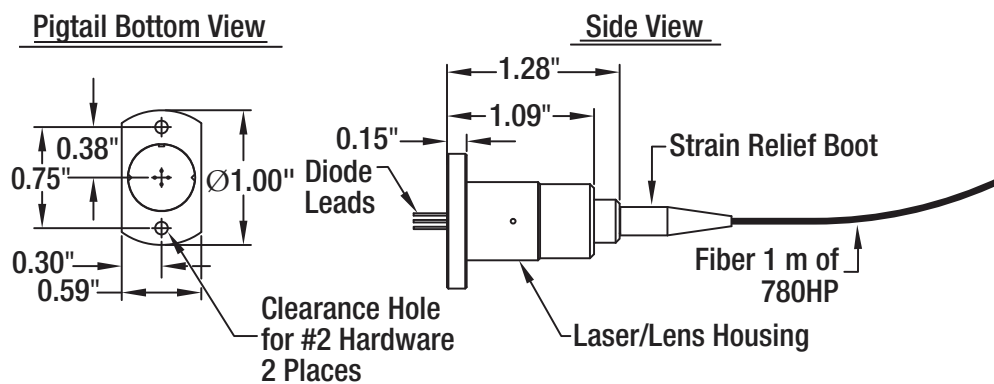
Specifications

LPS-785-FC Specifications	
LD Reverse Voltage (Max)	2 V
PD Reverse Voltage (Max)	30 V
Optical Output Power	10 mW (Typ.) 12 mW (Max)
Operating Temperature	0 to 50 °C
Storage Temperature	-10 to 65 °C
Pin Code	5A
Laser Diode	SS-D6-6-785-50
Fiber	780HP
Connector	FC/PC

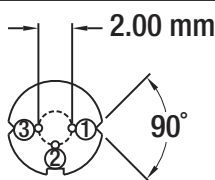
LPS-785-FC Specifications			
	Min	Typ.	Max
Wavelength	775 nm	785 nm	795 nm
Threshold Current*	-	25 mA	50 mA
Slope Efficiency*	0.2 mW/mA	0.4 mW/mA	-
Operating Current @ P ₀ = 10 mW*	-	50 mA	90 mA
Operating Voltage @ P ₀ = 10 mW*	-	1.8 V	2.5 V
Monitor Current @ P ₀ = 10 mW*	-	0.1 mA	-

*Temperature = 25 °C

Drawing



Diode Bottom View



Pin Diagram

