

Transformers For Digital Audio Data Transmission

Link-PP Int'l Technology

※Designed for Cirrus Logic's CS8401,CS8402,CS8403 & CS8404 ICs

※High isolation voltage: 2kV MIN

※For RoHS part add suffix NL

※RoHS NL peak solder rating 235°C



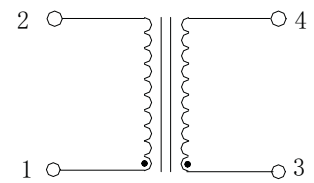
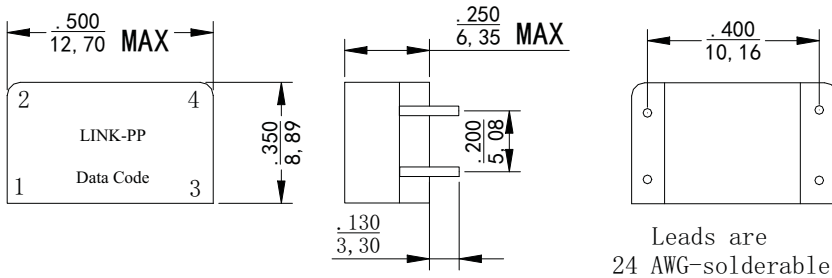
Electrical Specifications @ 25°C --- Operating Temperature 0°C to 70°C

Part Number	Turns Ratio	Primary Inductance (mH±20%)	L _L (μH MAX)	Rise Time (nsec) MAX	ET (V-μsec) MAX	Isolation (Vrms) MIN	Bandwidth (100 KHz -55 MHz) TYP	Return Loss (100 kHz-10MHz) MIN	Schematic
LPS85612	1:1(±5%)	2.5	.50	25	20	2000	3dB	20dB	THT
LPS85812	1:1(±5%)	2.5	.50	25	20	2000	3dB	20dB	SMT

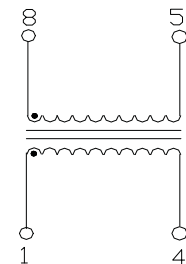
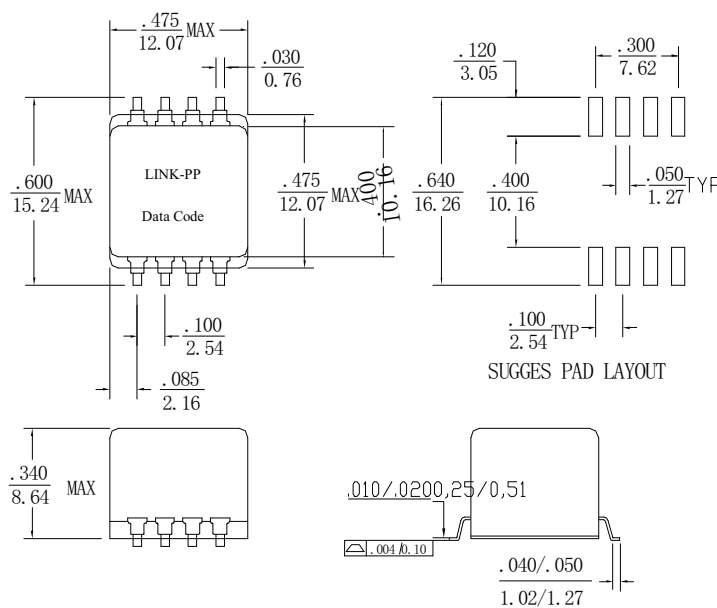
Mechanicals

Schematics

LPS85612



LPS85812



Dimensions: Inches
Unless otherwise specified all tolerances are ± 0.25