

LQ035Q7DH07 LCD Module

Product Specification

October 2009

240 × 320 Portrait-mode Transflective QVGA LCD Module featuring 270 nits brightness in Transmissive mode, with contrast ratios of 80:1 in Transmissive mode, and 3:1 in reflective mode. Full specification listing.

PREPARED BY : DATE	<h1>SHARP</h1>	SPEC No. LD-21910A
APPROVED BY : DATE		FILE No.
		ISSUE : Oct. 2. 2009
		PAGE : 20pages
	MOBILE LIQUID CRYSTAL DISPLAY GROUP SHARP CORPORATION	APPLICABLE GROUP ¹ MOBILE LIQUID CRYSTAL DISPLAY GROUP
	SPECIFICATION	

DEVICE SPECIFICATION FOR
TFT-LCD Module
 MODEL No.
LQ035Q7DH07

These parts have corresponded with the RoHS directive.

CUSTOMER'S APPROVAL

DATE _____

BY _____

PRESENTED
BY *T. Naka*

T. NAKA
 DIVISION DEPUTY GENERAL MANAGER
 AND DEPARTMENT GENERAL MANAGER
 ENGINEERING DEPARTMENT I
 MOBILE LIQUID CRYSTAL DISPLAY DIVISION II
 MOBILE LIQUID CRYSTAL DISPLAY GROUP
 SHARP CORPORATION

NOTICE

This publication is the proprietary of SHARP and is copyrighted, with all rights reserved. Under the copyright laws, no part of this publication may be reproduced or transmitted in any form or by any means, electronic or mechanical for any purpose, in whole or in part, without the express written permission of SHARP. Express written permission is also required before any use of this publication may be made by a third party.

The application circuit examples in this publication are provided to explain the representative applications of SHARP's devices and are not intended to guarantee any circuit design or permit any industrial property right or other rights to be executed. SHARP takes no responsibility for any problems related to any industrial property right or a third party resulting from the use of SHARP's devices, except for those resulting directly from device manufacturing processes.

In the absence of confirmation by device specification sheets, SHARP takes no responsibility for any defects that occur in equipment using any of SHARP's devices, shown in catalogs, data books, etc. Contact SHARP in order to obtain the latest device specification sheets before using any SHARP's device.

SHARP reserves the right to make changes in the specifications, characteristics, data, materials, structures and other contents described herein at any time without notice in order to improve design or reliability. Contact SHARP in order to obtain the latest specification sheets before using any SHARP's device. Manufacturing locations are also subject to change without notice.

Observe the following points when using any device in this publication. SHARP takes no responsibility for damage caused by improper use of the devices.

The devices in this publication are designed for use in general electronic equipment designs, such as:

- Personal computers
- Office automation
- Telecommunication equipment
- Test and measurement equipment
- Industrial control
- Audio visual and multimedia equipment
- Consumer electronics
- PDA

The appropriate design measures should be taken to ensure reliability and safety when SHARP's devices are used for equipment such as:

- Transportation control and safety equipment (i.e., aircraft, trains, automobiles, etc.)
- Traffic signals
- Gas leakage sensor breakers
- Alarm equipment
- Various safety devices etc.

SHARP's devices shall not be used for equipment that requires extremely high level of reliability, such as:

- Military and space applications
- Nuclear power control equipment
- Medical equipment for life support

Contact a SHARP representative, in advance, when intending to use SHARP's devices for any "specific" applications other than those recommended by SHARP.

Contact and consult with a SHARP representative if there are any questions about the contents of this publication.

(1) Application

This specification applies to LQ035Q7DH07

(2) Overview

This module is a color active matrix LCD module incorporating amorphous silicon TFT (Thin Film Transistor), named AD-TFT (Advanced TFT). It is practicable in both transmissive-type and reflection-type modes. It is composed of a color TFT-LCD panel, driver ICs, an FPC, a back light, and a back sealed casing. It isn't composed control circuit. Graphics and texts can be displayed on a 240×3×320 dots panel with 262,144 colors by supplying.

Optimum view angle is 6 o'clock. An inverted display mode is selective in the vertical or the horizontal direction.

(3) Mechanical specifications

Table 1

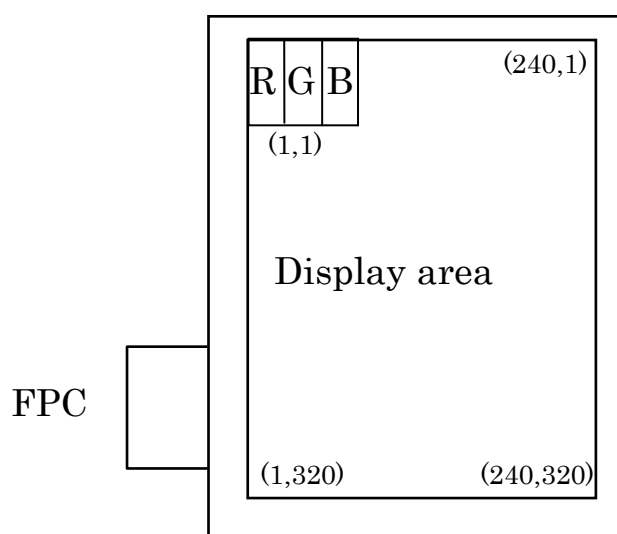
Parameter	Specifications	Units	Remarks
Screen size (Diagonal)	8.9 [3.52"] Diagonal	cm	
Display active area	53.64(H)×71.52(V)	mm	
Pixel format	240(H)×320(V) (1 pixel = R+G+B dots)	pixels	
Pixel pitch	0.2235(H)×0.2235(V)	mm	
Pixel configuration	R,G,B vertical stripe		
Unit outline dimension	65.0(W)×86.2(H)×3.2(D)	mm	【Note3-1】
Mass	34	g	Typ.
Surface hardness	3H		

【Note 3-1】

Excluding protrusion, including FPC cover portion

For detailed measurements and tolerances, please refer to Fig. 1.

(4) Pixel configuration



(5) Input/Output terminal

5-1) TFT-LCD panel driving section

Table2 Recommendation CN : HIROSE FH12A-50S-0.5SH(55) or FH12-50S-0.5SH(55)

Pin No.	Symbol	I/O	Description	Remarks
1	VL1	I	Power supply for LED (High voltage)	
2	NC	-		
3	VL2	I	Power supply for LED (Low voltage)	
4	VEE	-	Power supply of gate driver(low level)	
5	VSHD	-	Power supply of digital	
6	DGND	-	Ground(digital)	
7	CLS	I	Clock signal of gate driver	
8	DGND	-	Ground(digital)	
9	SPS	I	Start signal of gate driver	
10	U/L	I	Selection for vertical scanning direction	【Note5-1】
11	MOD	I	Control signal of gate driver	【Note5-2】
12	VDD	-	Power supply of gate driver(high level)	
13	VCOM	I	Common electrode driving signal	
14	DGND	-	Ground(digital)	
15	SPR	I/O	Sampling start signal	
16	DGND	-	Ground(digital)	
17	VSHA	-	Power supply(analog)	
18	LBR	I	Selection for horizontal scanning direction	【Note5-3】
19	PS	I	Power save signal (Please don't carry out use by "Low" fixation)	
20	REV	I	reverse control signal	【Note5-4】
21	DGND	-	Ground(digital)	
22	B5	I	BLUE data signal(MSB)	
23	B4	I	BLUE data signal	
24	B3	I	BLUE data signal	
25	B2	I	BLUE data signal	
26	B1	I	BLUE data signal	
27	B0	I	BLUE data signal(LSB)	
28	LP	I	Data latch signal of source driver	
29	DGND	-	Ground(digital)	
30	SPL	I/O	Sampling start signal	
31	DGND	-	Ground(digital)	
32	DCLK	I	Data sampling clock signal	
33	DGND	-	Ground(digital)	
34	G5	I	GREEN data signal(MSB)	
35	G4	I	GREEN data signal	
36	G3	I	GREEN data signal	
37	G2	I	GREEN data signal	
38	G1	I	GREEN data signal	
39	G0	I	GREEN data signal(LSB)	

Pin No.	Symbol	I/O	Description	Remarks
40	DGND	-	Ground(digital)	
41	R5	I	RED data signal(MSB)	
42	R4	I	RED data signal	
43	R3	I	RED data signal	
44	R2	I	RED data signal	
45	R1	I	RED data signal	
46	R0	I	RED data signal(LSB)	
47	AGND	-	Ground(analog)	
48	COM	O	Produce REV signal with the amplitude of AGND-VSHA	【Note5-4】
49	DGND	-	Ground(digital)	
50	DGND	-	Ground(digital)	

【Note5-1】 Selection for vertical scanning direction

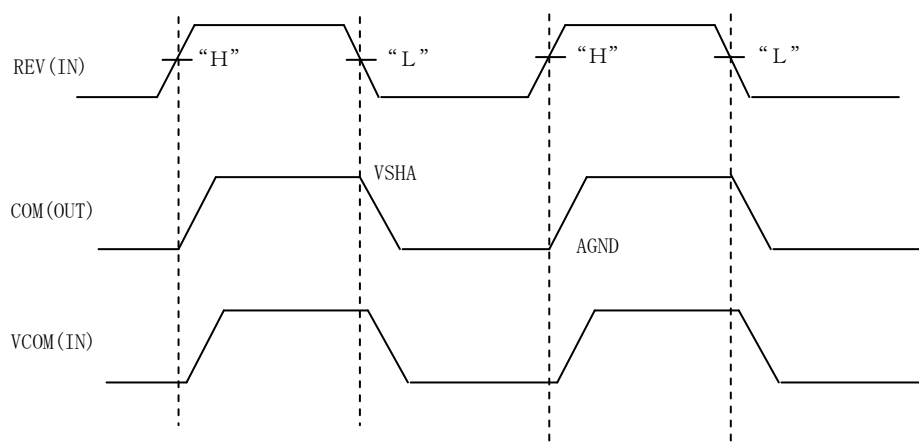
U/L	Scanning direction (Pixel configuration)
Low	Normal scanning (X , 1) ↓ (X , 320)
High	Inverted scanning (X , 1) ↑ (X , 320)

【Note5-2】 See section(7-1)-(A) ” Cautions when you turn on or off the power supply”.

【Note5-3】 Selection for horizontal scanning direction

LBR	SPL	SPR	Scanning direction (Pixel configuration)
High	Input	Output	Normal scanning (1,Y) → (240,Y)
Low	Output	Input	Inverted scanning (1,Y) ← (240,Y)

【Note5-4】



(6)Absolute Maximum Ratings

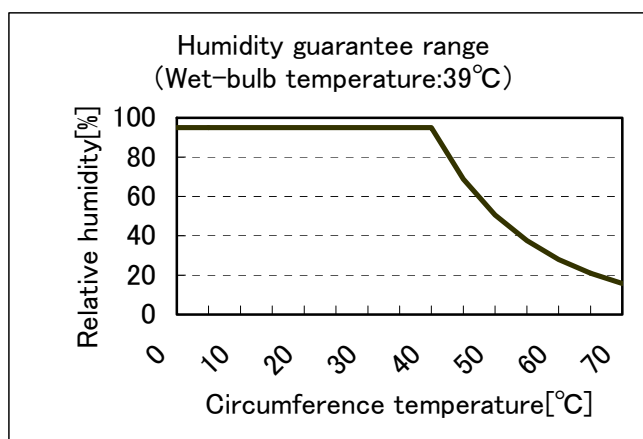
Table 3

Parameter	Symbol	Condition	Ratings	Unit	Remark
Power supply(source/Analog)	VSHA	Ta=25°C	-0.3 to +7.0	V	
Power supply(source/Digital)	VSHD	Ta=25°C	-0.3 to +7.0	V	
Power supply (gate)	VDD	Ta=25°C	-0.3 to +35.0	V	
Power supply (gate)	VDD - VEE	Ta=25°C	-0.3 to +35.0	V	
Input voltage (Digital)	VID	Ta=25°C	-0.3 to VSHD+0.3	V	[Terminal A]
Operating temperature (panel surface)	Topp	-	-10 to +70	°C	【Note6】
Storage temperature	Tstg	-	-25 to +70	°C	【Note6】

[Terminal A] MOD,U/L,SPS,CLS,SPL,R0 to R5,G0 to G5,B0 to B5,LP,DCLK,LBR,SPR,PS,REV

【Note6】 Humidity: 95%RH Max.(at Ta ≤ 40°C). Maximum wet-bulb temperature is less than 39°C (at Ta > 40°C).

Condensation of dew must be avoided.



The maximum humidity in the temperature

(7)Electrical characteristics

7-1) Recommended operating conditions

A) TFT-LCD panel driving section

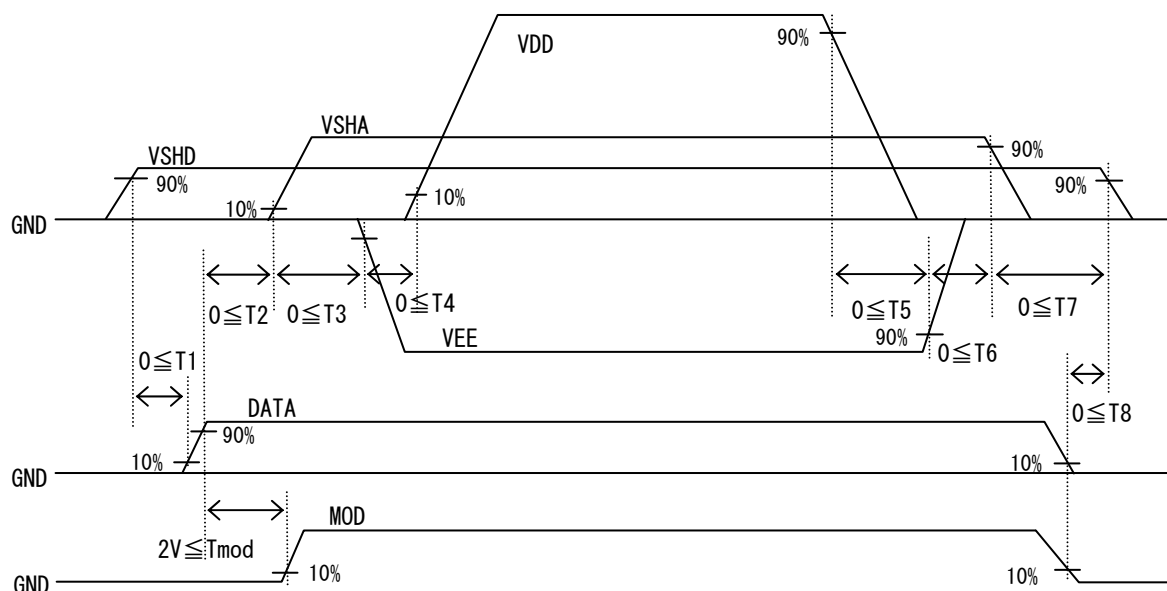
Table 4

GND=0V

Parameter	Symbol	Min.	Typ.	Max.	Unit	Remarks	
Supply voltage for source driver (Analog)	V _{SHA}	+4.5	+5.0	+5.5	V		
Supply voltage for source driver (Digital)	V _{SHD}	+3.0	+3.3	+3.6	V		
Supply voltage for gate driver	High voltage	V _{DD}	+14.5	+15.0	+15.5	V	
	Low voltage	V _{EE}	-10.5	-10.0	-9.5	V	
Input voltage for Source driver (Low)	V _{I_{LS}}	GND	-	0.2V _{SHD}	V	【Note 7-1】	
Input voltage for Source driver (High)	V _{I_{HS}}	0.8V _{SHD}	-	V _{SHD}	V	【Note 7-1】	
Input current for Source driver (Low)	I _{ILS}	-	-	30	μA	【Note 7-1】	
Input current for Source driver (High)	I _{IHS1}	-	-	30	μA	【Note 7-2】	
	I _{IHS2}	-	-	1200	μA	【Note 7-3】	
Input voltage for Gate driver (Low)	V _{I_{LG}}	GND	-	0.2V _{SHD}	V	【Note 7-4】	
Input voltage for Gate driver (High)	V _{I_{HG}}	0.8V _{SHD}	-	V _{SHD}	V	【Note 7-4】	
Input current for Gate driver (Low)	I _{ILG}	-	-	4	μA	【Note 7-4】	
Input current for Gate driver (High)	I _{IHG}	-	-	4	μA	【Note 7-4】	
Common electrode driving signal	AC component	V _{COMAC}	-	±2.5	V _{P-P}	【Note 7-5】	
	DC component	V _{COMDC}	-0.8	+0.2	+1.2	V	【Note 7-5】

※Cautions when you turn on or off the power supply

- ① Turn on or off the power supply with simultaneously or the following sequence.
- ② The input signal of “MOD” Terminals (Pin No.11) must be low voltage when turning on the power supply, and it is held until more than double vertical periods after DATA are turned on completely. After then, it must be held high voltage until turning off the power supply. (Connect Pin No.11 terminals to the same signal.)



【Note 7-1】 DCLK,SPL,SPR,LBR,LP,PS,REV,R0 to R5,G0 to G5 and B0 to B5 terminals are applied.

【Note 7-2】 DCLK,SPL,SPR,LBR,LP,REV,R0 to R5,G0 to G5 and B0 to B5 terminals are applied.

【Note 7-3】 PS terminal is applied.

【Note 7-4】 MOD,CLS,SPS and U/L terminals are applied.

【Note 7-5】 VCOMAC should be alternated on VCOMDC every 1 horizontal period and 1 vertical period.

VCOMDC bias is adjusted so as to minimize flicker or maximum contrast every each module.

B) Back light driving section

Table 5

Ta=25°C

Parameter	Symbol	MIN	TYP	MAX	Units	Remarks terminal
LED voltage	V _L	-	19.2	21.6	V	
LED current	I _L	-	20	22	mA	
Power consumption	W _L	-	0.384	-	W	【Note 7-6】

【Note 7-6】 Calculated reference value(I_L×V_L)

7-2) Timing Characteristics of input signals

Table 6 AC Characteristics (1)

(V_{SHA}=+5V, V_{SHD}=+3.3V, Ta=25°C)

Parameter	Symbol	Min.	Typ.	Max.	Unit	Remark	
Clock frequency of source driver	f _{CK}	4.5	-	6.8	MHz		
Source driver	Rising time of clock	T _{cr}	-	-	20	ns	DCLK
	Falling time of clock	T _{cf}	-	-	20	ns	
	Pulse width (High level)	T _{ewh}	40	-	-	ns	
	Pulse width (Low level)	T _{cwl}	40	-	-	ns	
	Frequency of start pulse	f _{sp}	16.5	-	28	kHz	SPL, SPR
	Setup time of start pulse	T _{susp}	15	-	-	ns	
	Hold time of start pulse	T _{hsp}	10	-	-	ns	
	Pulse width of start pulse	T _{wsp}	-	-	1.5/f _{ck}	ns	【Note 7-7】
	Setup time of latch pulse	T _{sulp}	20	-	-	ns	LP
	Hold time of latch pulse	T _{hlp}	20	-	-	ns	
	Pulse width of latch pulse	T _{wlp}	60	-	-	ns	
	Setup time of PS	T _{sup}	0	-	-	μs	PS
	Setup time of PS	T _{sulps}	1	-	-	μs	
	Hold time of PS	T _{hps}	0	-	-	μs	
Hold time of PS	T _{hlps}	30	-	-	ns		
Set up time of data	T _{sud}	15	-	-	ns	R0 to R5,G0 to G5	
Hold time of data	T _{hd}	10	-	-	ns	,B0 to B5	
Gate driver	Clock frequency	f _{cls}	16.5	-	28	kHz	CLS
	Pulse width of clock(Low)	T _{wlcls}	5	-	(1/f _{cls})-30	μs	
	Pulse width of clock(High)	T _{whcls}	30	-	-	μs	
	Rising time of clock	T _{recls}	-	-	100	ns	
	Falling time of clock	T _{fecls}	-	-	100	ns	
	Setup time of clock	T _{sucls}	3	-	-	μs	
	Hold time of clock	T _{hcls}	0	-	-	μs	
	Frequency of start pulse	f _{sps}	58	-	86	Hz	SPS
	Setup time of start pulse	T _{susps}	100	-	-	ns	
	Hold time of start pulse	T _{hsps}	300	-	-	ns	
	Rising time of start pulse	T _{rsps}	-	-	100	ns	
Falling time of start pulse	T _{fsps}	-	-	100	ns		
Vcom	Setup time of Vcom	T _{svcom}	0	-	-	μs	Vcom
	Hold time of Vcom	T _{hvcom}	1	-	-	μs	

【Note 7-7】 There must be only one up-edge of DCLK (includes T_{susp} and T_{hsp} time) in the period of SPL="Hi".

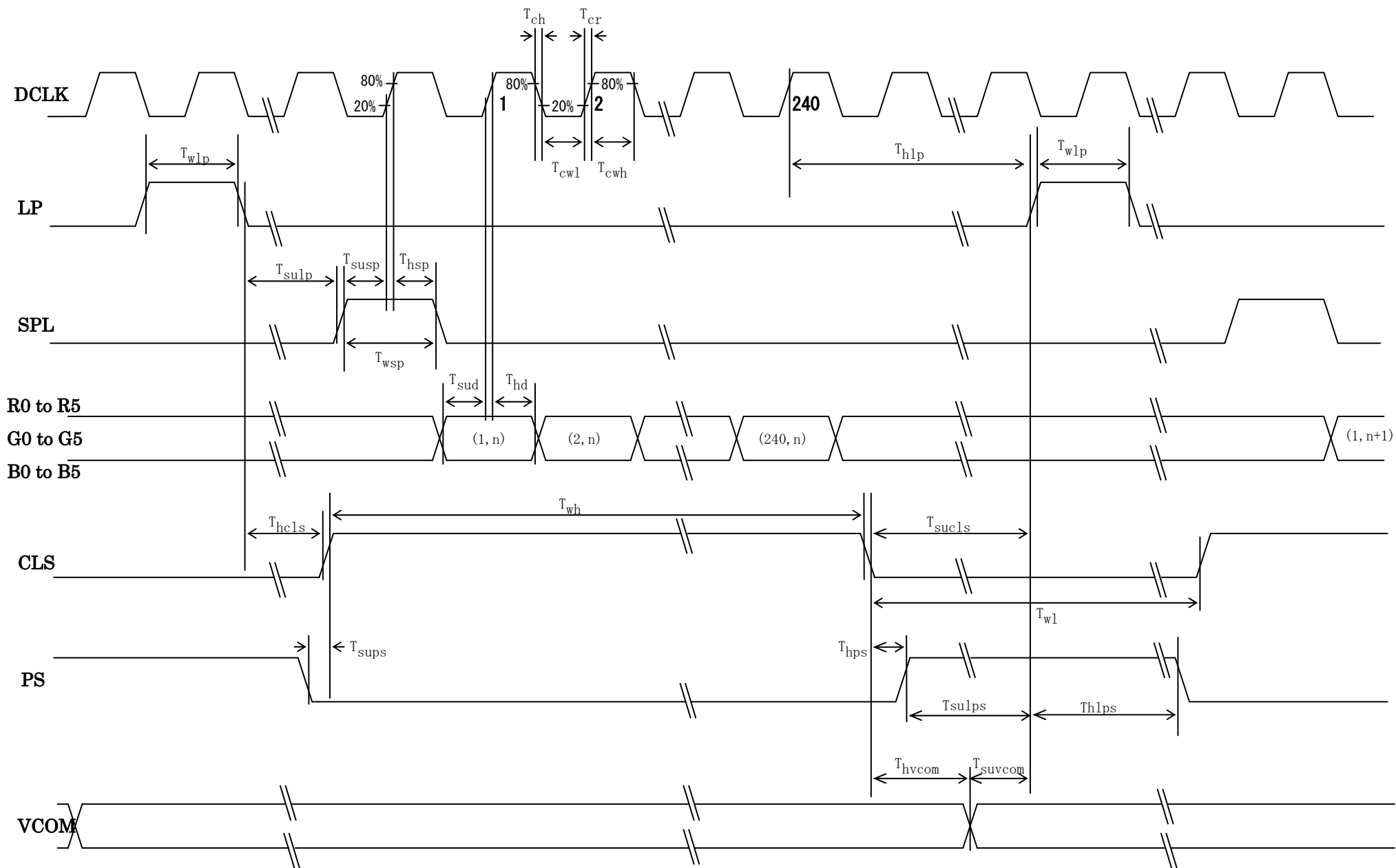


Fig.(a) Horizontal timing chart

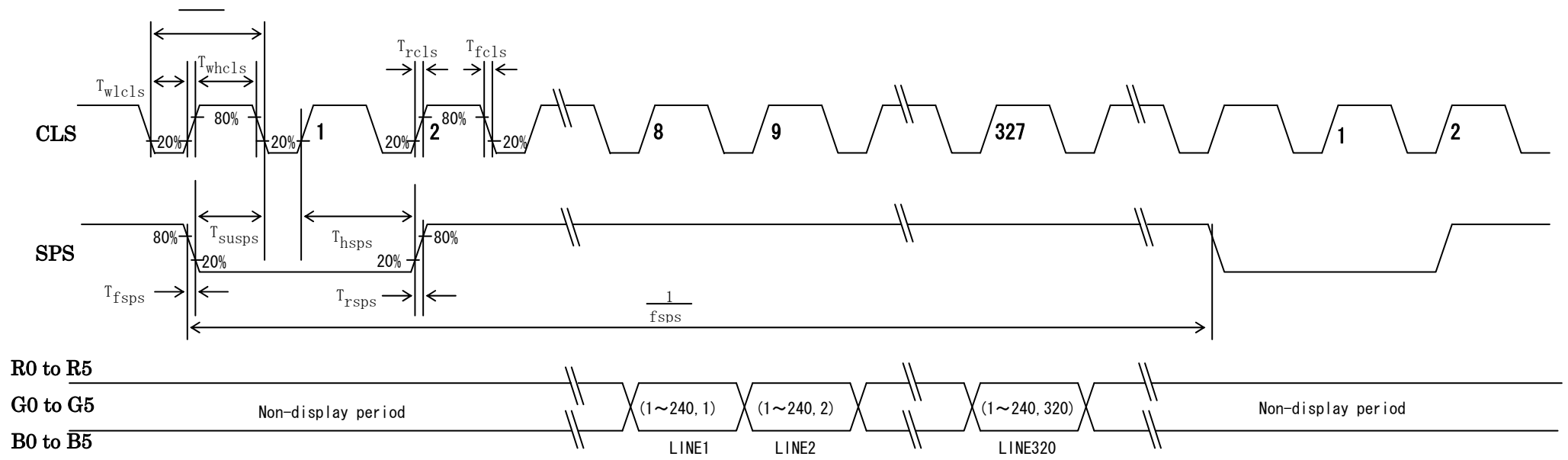


Fig.(b) Vertical timing chart

7-3) Power consumption

Measurement condition: SPS=60Hz, CLS=15.73kHz, SPL=15.73kHz, DCLK=6.3MHz

The term of PS="Lo" in one horizontal period ... 37μsec (234DCLK)

Ta=25°C

Table 7 when normal scan mode

Parameter		Sym	Conditions	Min.	Typ.	Max.	Unit	Remarks
Source current	Analog	ISHA	V _{SHA} =+5.0V	—	3.0	6.0	mA	【Note 7-8】
	Digital	ISHD	V _{SHD} =+3.3V	—	1.5	3.0	mA	【Note 7-8】
Gate current	High	I _{DD}	V _{DD} =+15.0V	—	0.05	0.10	mA	【Note 7-9】
	Low	I _{EE}	V _{EE} =-10.0V	—	-0.05	-0.10	mA	【Note 7-9】

【Note 7-8】 Vertical stripe pattern alternating 21 gray scale (GS21) with 42 gray scale (GS42) every 1 dot.

【Note 7-9】 64-Gray-bar vertical pattern (GS0 to GS63 for horizontal way)

(8)Input Signals, Basic Display Color and Gray Scale of Each Color

Table 8

	Colors & Gray scale	Data signal																		
		Gray Scale	R0	R1	R2	R3	R4	R5	G0	G1	G2	G3	G4	G5	B0	B1	B2	B3	B4	B5
Basic color	Black	-	0	0	0	0	0	0	0	0	0	0	0	0	0	0	0	0	0	0
	Blue	-	0	0	0	0	0	0	0	0	0	0	0	0	1	1	1	1	1	1
	Green	-	0	0	0	0	0	0	1	1	1	1	1	1	0	0	0	0	0	0
	Cyan	-	0	0	0	0	0	0	1	1	1	1	1	1	1	1	1	1	1	1
	Red	-	1	1	1	1	1	1	0	0	0	0	0	0	0	0	0	0	0	0
	Magenta	-	1	1	1	1	1	1	0	0	0	0	0	0	1	1	1	1	1	1
	Yellow	-	1	1	1	1	1	1	1	1	1	1	1	1	0	0	0	0	0	0
	White	-	1	1	1	1	1	1	1	1	1	1	1	1	1	1	1	1	1	1
Gray Scale of red	Black	GS0	0	0	0	0	0	0	0	0	0	0	0	0	0	0	0	0	0	0
	↑	GS1	1	0	0	0	0	0	0	0	0	0	0	0	0	0	0	0	0	0
	Darker	GS2	0	1	0	0	0	0	0	0	0	0	0	0	0	0	0	0	0	0
	↑	↓			↓					↓					↓					
	↓	↓			↓					↓					↓					
	Brighter	GS61	1	0	1	1	1	1	0	0	0	0	0	0	0	0	0	0	0	0
	↓	GS62	0	1	1	1	1	1	0	0	0	0	0	0	0	0	0	0	0	0
	Red	GS63	1	1	1	1	1	1	0	0	0	0	0	0	0	0	0	0	0	0
Gray Scale of green	Black	GS0	0	0	0	0	0	0	0	0	0	0	0	0	0	0	0	0	0	0
	↑	GS1	0	0	0	0	0	0	1	0	0	0	0	0	0	0	0	0	0	0
	Darker	GS2	0	0	0	0	0	0	0	1	0	0	0	0	0	0	0	0	0	0
	↑	↓			↓					↓					↓					
	↓	↓			↓					↓					↓					
	Brighter	GS61	0	0	0	0	0	0	1	0	1	1	1	1	0	0	0	0	0	0
	↓	GS62	0	0	0	0	0	0	0	1	1	1	1	1	0	0	0	0	0	0
	Green	GS63	0	0	0	0	0	0	1	1	1	1	1	1	0	0	0	0	0	0
Gray Scale of blue	Black	GS0	0	0	0	0	0	0	0	0	0	0	0	0	0	0	0	0	0	0
	↑	GS1	0	0	0	0	0	0	0	0	0	0	0	0	1	0	0	0	0	0
	Darker	GS2	0	0	0	0	0	0	0	0	0	0	0	0	0	1	0	0	0	0
	↑	↓			↓					↓					↓					
	↓	↓			↓					↓					↓					
	Brighter	GS61	0	0	0	0	0	0	0	0	0	0	0	0	1	0	1	1	1	1
	↓	GS62	0	0	0	0	0	0	0	0	0	0	0	0	0	1	1	1	1	1
	Bleu	GS63	0	0	0	0	0	0	0	0	0	0	0	0	1	1	1	1	1	1

0: Low level voltage 1: High level voltage

Each basic color can be displayed in 64 gray scales from 6 bit data signals. According to the combination of total 18 bit data signals, the 262,144-color display can be achieved on the screen.

(9)Optical characteristics

9-1)Not driving the Back light condition

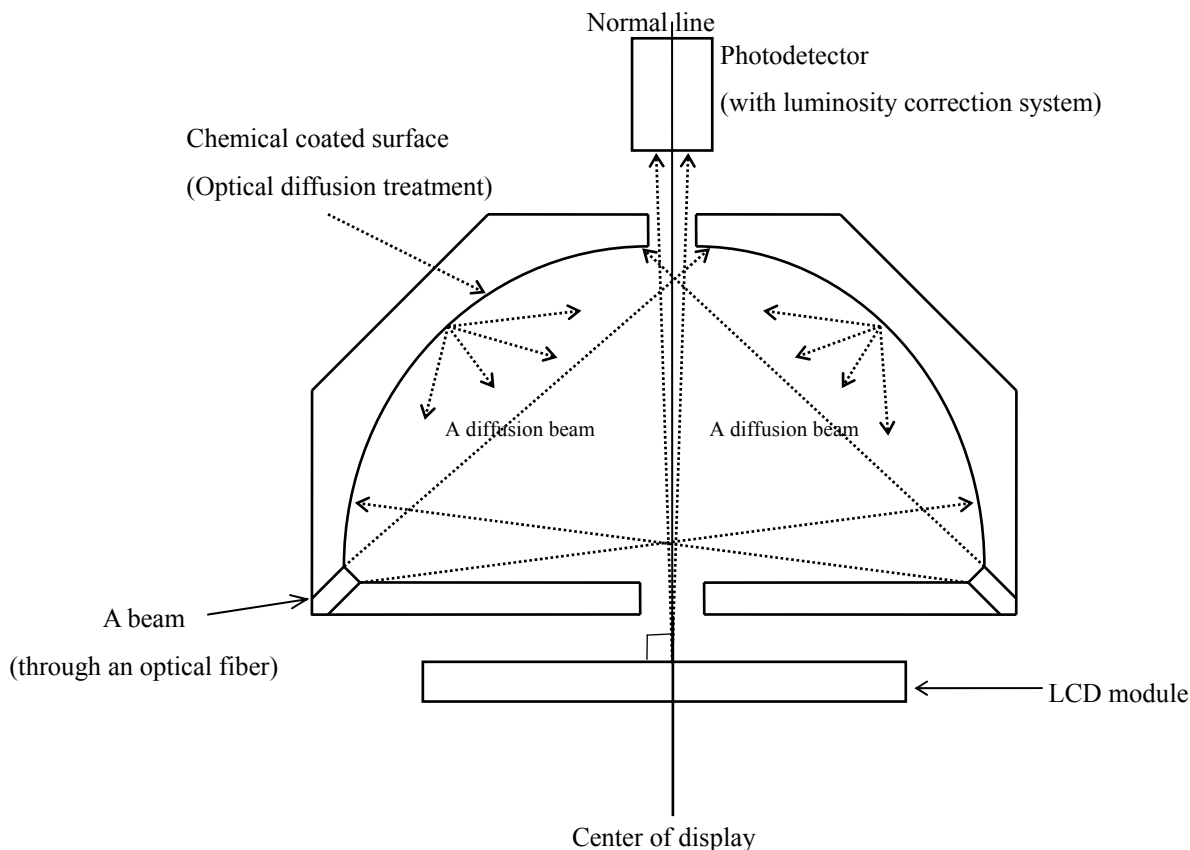
Table 9

(V_{SHA}=+5V, V_{SHD}=+3.3V, V_{DD}=+15V, V_{EE}=-10V, T_a=25°C)

Parameter	Symbol	Condition	Min.	Typ.	Max.	Unit	Remarks		
Viewing angle range	θ _{21,22}	CR≥1.5	35	50	-	degree	[Note 9-1,2]		
	θ ₁₁		35	50	-	degree			
	θ ₁₂		35	50	-	degree			
Contrast ratio	CR _{max}	θ = 0°	2	3	-		[Note 9-2,4]		
Response time	Rise	θ = 0°	-	30	60	ms	[Note 9-3]		
	Fall		-	50	100	ms			
White chromaticity	x	θ = 0°	0.273	0.323	0.373		[Note 9-4]		
	y		0.303	0.353	0.403				
Red chromaticity	x		0.310	0.360	0.410				
	y		0.267	0.317	0.367				
Green chromaticity	x		0.257	0.307	0.357				
	y		0.322	0.372	0.422				
Blue chromaticity	x		0.194	0.244	0.294				
	y		0.222	0.272	0.322				
Reflection ratio	R		θ = 0°	2.5	4	-		%	[Note 9-5]

* The measuring method of the optical characteristics is shown by the following figure.

* A measurement device is Otsuka luminance meter LCD5000. (With the diffusion reflection unit.)



Measuring method (a) for optical characteristics

9-2)Driving the Back light condition

Table 10

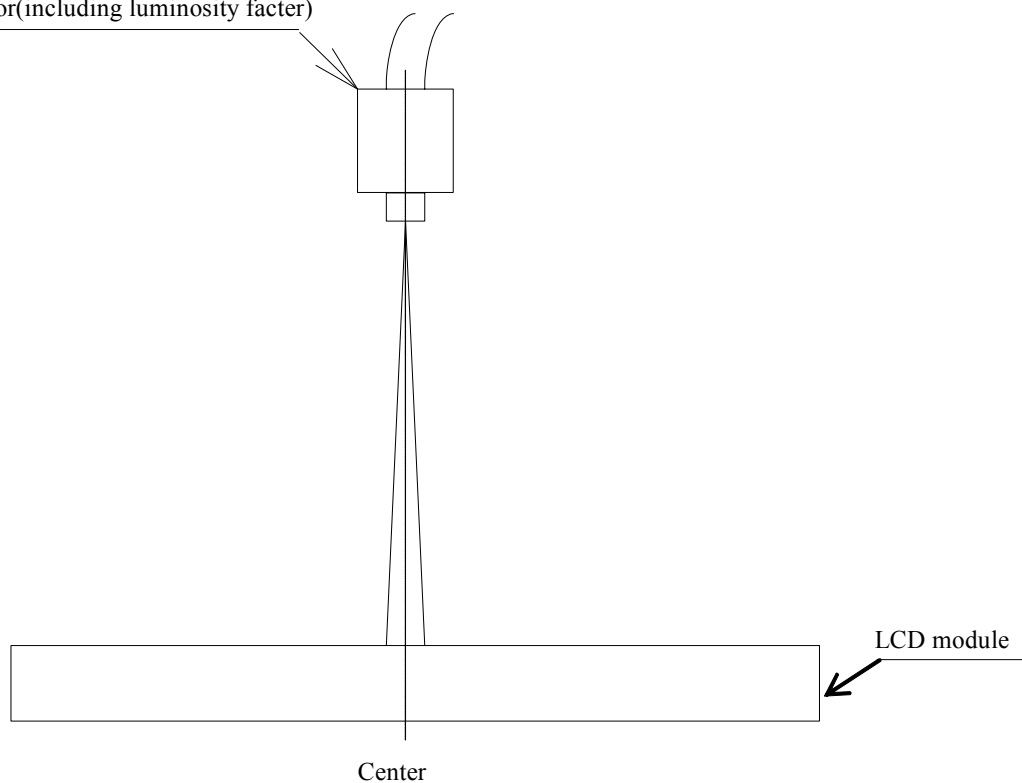
(V_{SHA}=+5V, V_{SHD}=+3.3V, V_{DD}=+15V, V_{EE}=-10V, T_a=25°C)

Parameter	Symbol	Condition	Min	Typ	Max	Unit	Remarks	
Viewing angle range	θ _{21,22}	CR≥2	30	40	-	degree	[Note 9-1,2,6]	
	θ ₁₁		40	50	-	degree		
	θ ₁₂		30	40	-	degree		
Contrast ratio	Cr _{max}	θ = 0°	50	80	-		[Note 9-2]	
Response time	Rise	θ = 0°	-	30	60	ms	[Note 9-3]	
	Fall		-	50	100	ms		
White chromaticity	x	θ = 0°	0.250	0.300	0.350			
	y		0.280	0.330	0.380			
Red chromaticity	x		0.470	0.520	0.570			
	y		0.280	0.330	0.380			
Green chromaticity	x		0.280	0.330	0.380			
	y		0.430	0.480	0.530			
Blue chromaticity	x		0.110	0.160	0.210			
	y		0.140	0.190	0.240			
Brightness	Y		θ = 0°	180	250	-	cd/m ²	I _L =20mA
LED life time	LL		I _L =20mA	—	5,000	—	hour	[Note 9-7]

* The measuring method of the optical characteristics is shown by the following figure.

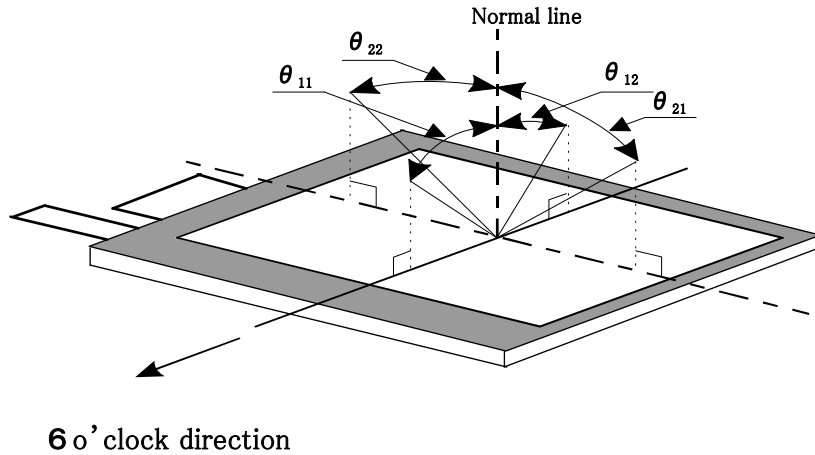
* A measurement device is TOPCON luminance meter BM-5(A) (Viewing cone 1) or SR-3.

Photodetector(including luminosity factor)



Measuring method (c) for optical characteristics

[Note 9-1] Viewing angle range is defined as follows.



Definition for viewing angle

[Note 9-2] Definition of contrast ratio:

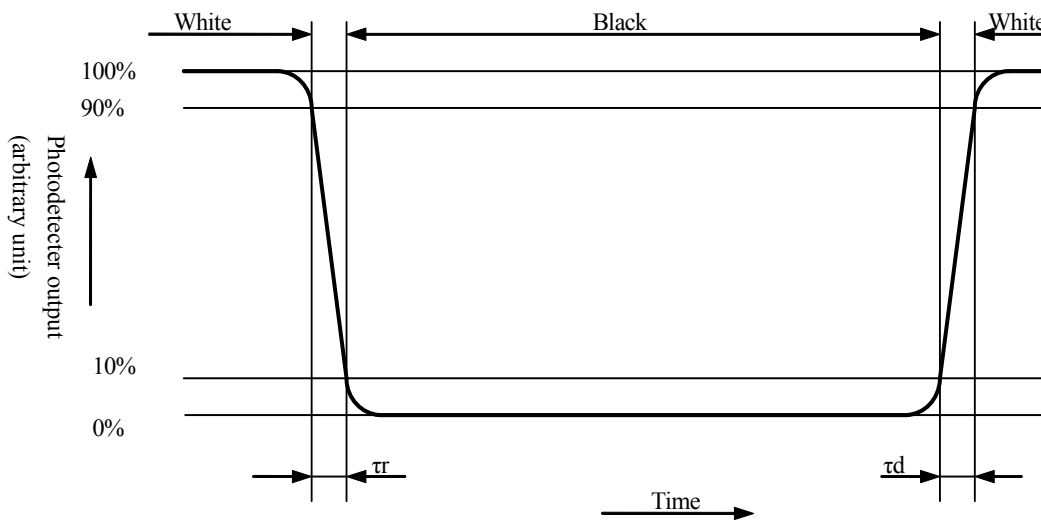
The contrast ratio is defined as follows:

$$\text{Contrast ratio (CR)} = \frac{\text{Photodetector output with all pixels white(GS63)}}{\text{Photodetector output with all pixels black(GS0)}}$$

$$V_{\text{COMAC}} = 5.0V_{\text{P-P}}$$

[Note 9-3] Definition of response time:

The response time is defined as the following figure and shall be measured by switching the input signal for "black" and "white".



[Note 9-4] A measurement device is Minolta CM-2002.

[Note 9-5] Definition of reflection ratio:

$$\text{Reflection ratio} = \frac{\text{Light detected level of the reflection by the LCD module}}{\text{Light detected level of the reflection by the standard white board}}$$

[Note 9-6] A measurement device is ELDIM EZContrast

[Note 9-7] This is the reference value. The White-LED life time is defined as a time when brightness not to become under 50% of the original value. (at $T_a=25^\circ\text{C}$)

(10) Display quality

The display quality of the color TFT-LCD module shall be in compliance with the Incoming Inspection Standards for TFT-LCD.

(11) Mechanical characteristics

11-1) External appearance

See Fig. 1

11-2) FPC (for LCD panel) characteristics

(1) Specific connector

FH12A-50S-0.5SH(55) or FH12-50S-0.5SH(55) (HIROSE)

(2) Bending endurance of the bending slits portion

No line of the FPC is broken for the bending test (Bending radius=0.6mm and angle=90°) in 30 cycles.

(12) Handling Precautions

12-1) Insertion and taking out of FPCs

- (1) Be sure to turn off the power supply when inserting or disconnecting the FPC.
- (2) Please insert FPC in the connector carefully so that the tension should not hang.

12-2) Handling of FPCs

The FPC for LCD panel shall be bent only slit portion. The bending slit shall be bent uniformly on the whole slit portion with bending radius larger than 0.6mm, and only inner side (back side of the module). Don't bend it outer side (display surface side).

Don't give the FPCs too large force, for example, hanging the module with holding FPC.

12-3) Installation of the module

On mounting the module, be sure to fix the module on the same plane. Taking care not to warp or twist the module.

12-4) Precautions when mounting

- (3) If water droplets and oil attaches to it for a long time, discoloration and staining occurs. Wipe them off immediately.
- (4) Glass is used for the TFT-LCD panel. If it is dropped or bumped against a hard object, it may be broken. Handle it with sufficient care.
- (5) Since CMOS LSI is used in this module, take care of static electricity and injure the human earth when handling. Observe all other precautionary requirements in handling components.

12-5) Others

- (1) Do not expose the LCD panel to direct sunlight. Lightproof shade etc. should be attached when LCD panel is used under such environment. The panel characteristic might be deteriorated and the display fineness decrease when strong light is irradiated to the liquid crystal panel.
- (2) If it is kept at a temperature below the rated storage temperature, it becomes coagulated and the panel may be broken. Also, if it is kept at a temperature above the rated storage temperature, it becomes isotropic liquid and does not return to its original state. Therefore, it is desirable to keep it at room temperature as much as possible.
- (3) If the LCD breaks, don't put internal liquid crystal into the mouth. Rinse it as soon as possible if it gets inside your eye or mouth by mistake. When the liquid crystal sticks to the hands, feet and clothes, wash it out immediately.
- (4) Wipe off water drop or finger grease immediately. Long contact with water may cause discoloration or spots.
- (5) Observe general precautions for all electronic components.
- (6) VCOM must be adjusted on condition of your final product. No adjustment causes the deterioration for display quality.
- (7) Static image should not be displayed more than 5 minutes in order to prevent from occurrence of afterimage.
- (8) Since the front polarizer is easily damaged, pay attention not to scratch it. Blow away dust on the polarizer with antistatic N2 blow. It is undesirable to wipe off because a polarizer is sensitive. It is recommended to peel off softly using the adhesive tape when soil or finger oil is stuck to the polarizer. When unavoidable, wipe off carefully with a cloth for wiping lenses.
- (9) In case of attaching protective board over the LCD, be careful about the optical interface fringe etc. which degrades

display quality.

- (10) When handling LCD modules and assembling them into cabinets, that long-terms storage in the environment of oxidization or deoxidization gas and the use of such materials as reagent, solvent, adhesive, resin, etc. which generate these gasses, causes corrosion and discoloration of the modules. Therefore, please avoid these uses. Epoxy resin (amine series curing agent), silicone adhesive material (dealcoholization series and oxime series), tray forming agent (azo compound) etc, in the cabinet or the packing materials may induce abnormal display with polarizer film deterioration regardless of contact or no contact to polarizer film. Be sure to confirm the component of them.
- (11) The LED used for this product is very sensitive to the temperature. Luminance decreases rapidly when it issued for a long time under the environment of the high temperature. Please consult our company when it is used under the environment like the above mentioned.
- (12) Notice: Never dismantle the module, because it will cause failure. Moreover, please do not peel off the tapes other than the creped paper tape (yellow tape) of a protection film pasted to the product.
- (13) If a minute particle enters in the module and adheres to an optical material, it may cause display non-uniformity issue, etc. Therefore, fine-pitch filters have to be installed to cooling and inhalation hole if you intend to install a fan.

(13) Reliability Test Conditions for TFT-LCD Module

Table 11

No.	Test items	Test conditions
1	High temperature storage test	Ta=+70°C 240h
2	Low temperature storage test	Ta=-25°C 240h
3	High temperature and high humidity operating test	Tp=+40°C , 95%RH 240h (But no condensation of dew)
4	High temperature operating test	Tp=+70°C 240h
5	Low temperature operating test	Tp=-10°C 240h
6	Electro static discharge test	±200V/200pF(0Ω) to Terminals(Contact) (1 time for each terminals) ±8kV/150pF(330Ω) to Housing bezel (Contact) ±15kV/150pF(330Ω) to Housing bezel(in Air)
7	Shock tset	980 m/s ² , 6 ms ±X, ±Y, ±Z 3 times for each direction (JIS C0041, A-7 Condition C)
8	Vibration test	Frequency range: 10Hz to 55Hz Stroke: 1.5 mm Sweep: 10Hz to 55Hz X,Y,Z 2 hours for each direction (total 6 hours) (JIS C0040,A-10 Condition A)
9	Heat shock test	Ta=-25 to +70°C / 5 cycles (1h) (1h)
10	FPC Bending Test	Bending 30 times by bending radius R0.6mm and angle=90° (LCD FPC)

【Note】 Ta = Ambient temperature, Tp = Panel temperature

【Check items】

Test No.1 to 9:

In the standard condition, there shall be no practical problems that may affect the display function.

(14) Others

14-1) Indication of lot number

The lot number is shown on a label. Attached location is shown in Fig.1 (Outline Dimensions).



14-2) Used Regulation of Chemical Substances Breaking Ozone Stratum

Substances with the object of regulating: CFCS, Carbon tetrachloride, Halon 1,1,1-Trichloro ethane (Methyl chloroform)

(a) This LCD module, Constructed part and Parts don't contain the above substances.

(b) This LCD module, Constructed part and Parts don't contain the above substances in processes of manufacture.

14-3) If some problems arise about mentioned items in this document and other items, the user of the TFT-LCD module and SHARP will cooperate and make efforts to solve the problems with mutual respect and good will.

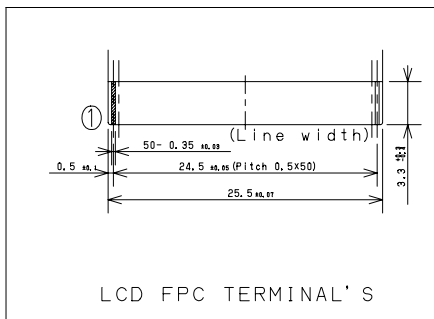
(15) Forwarding form (See Fig.2 Package Form)

- a) Piling number of cartons : Max 8
- b) Package quality in one cartons : 100pcs
- c) Carton size : 575mm × 332mm × 209mm
- d) Total mass of 1 carton filled with full modules: 7450g

Conditions for storage

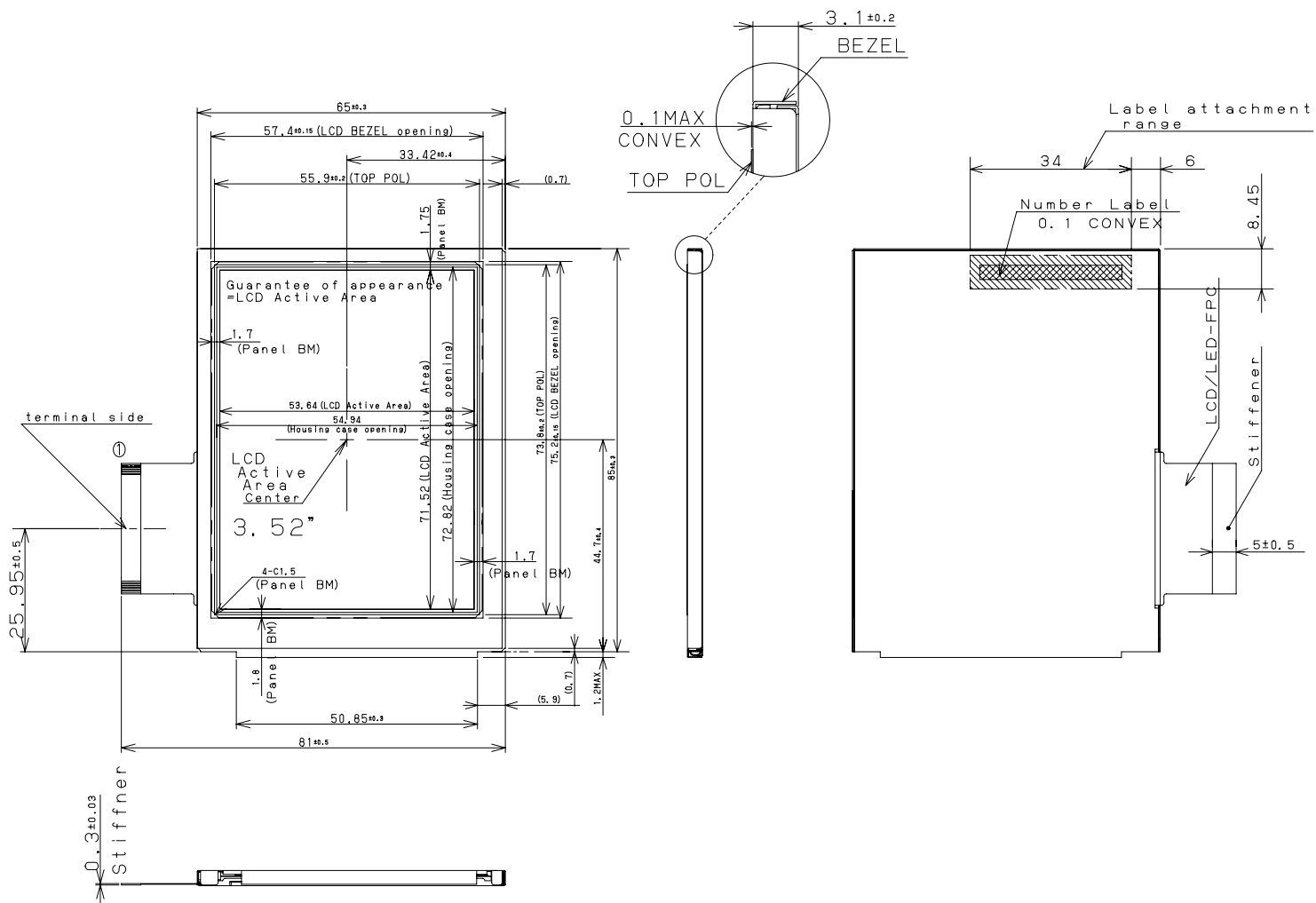
Environment

- (1)Temperature: 0 to 40°C
- (2)Humidity: 60%RH or less (at 40°C)
No dew condensation at low temperature and high humidity.
- (3)Atmosphere: Harmful gas, such as acid or alkali which bites electronic components and/or wires, must not be detected.
- (4)Period: about 3 months
- (5)Opening of the package: In order to prevent the LCD module from breakdown by electrostatic charges, please control the room humidity over 50%RH and open the package taking sufficient countermeasures against electrostatic charges, such as earth, etc



LCD FPC TERMINAL'S

Fitting CN : HIROSE
 FH12-50S-0.5SH (55)
 or
 FH12A-50S-0.5SH (55)



- Guarantee of appearance = LCD Active Area
- General tolerance is ±0.5mm
- LCD/LED-FPC bend radius: Min. 0.6mm
- Take care in set design to hide the scratches and bubbles appeared on the polarizer or other frame area which is located outside of guarantee area.
- The light of Back Light is leaking from BM outside, please light shielding by the set.
- The tolerance of module width are exclude warp of case.

3.52" 240 x 320 pixel
 dot pitch : 0.0745 (H) mm
 : 0.2235 (V) mm

Fig.1 Outline Dimensions

SHARP

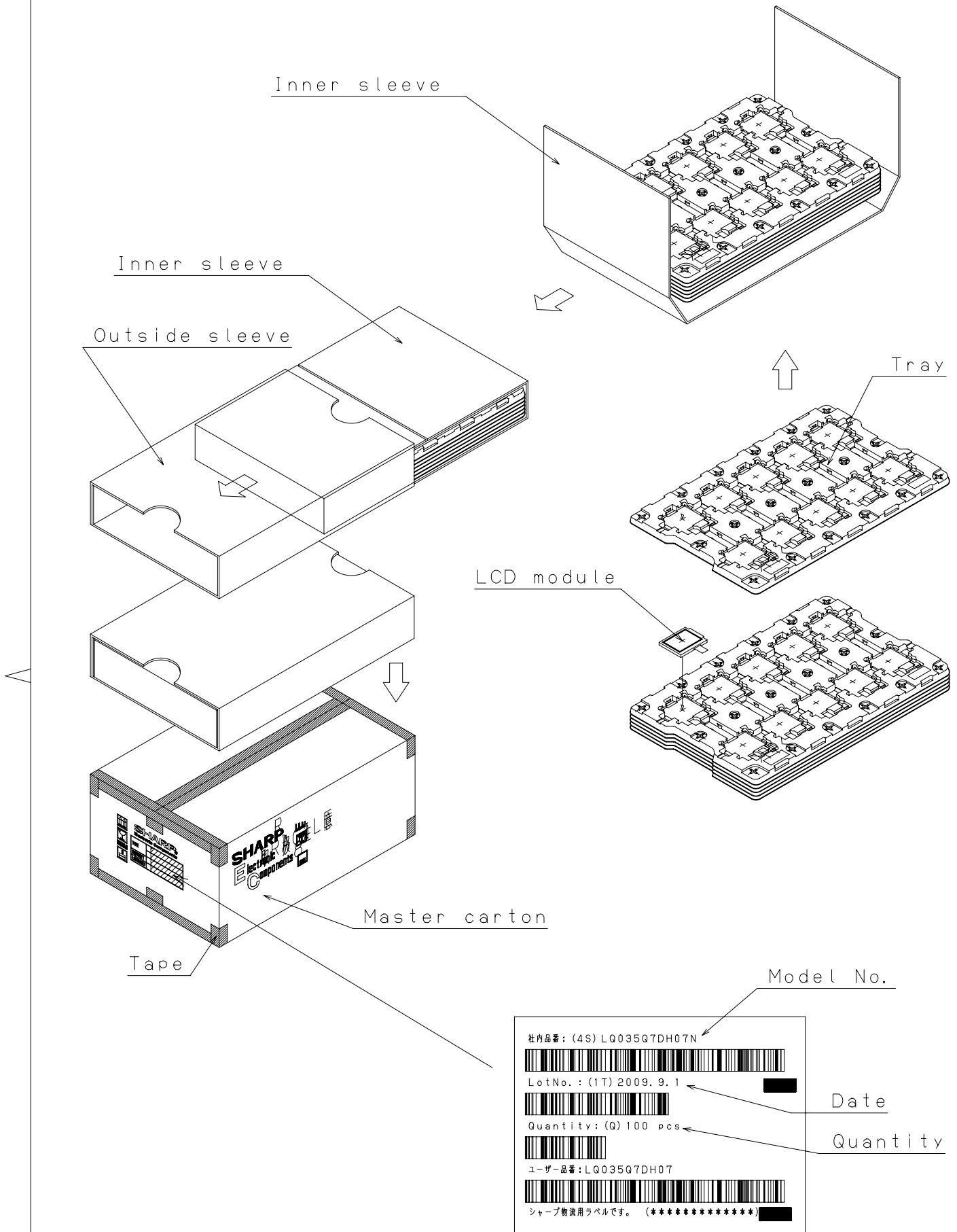


Fig.2 Packaging form

LCD Specification

LCD Group



NORTH AMERICA

Sharp Microelectronics of the Americas
5700 NW Pacific Rim Blvd.
Camas, WA 98607, U.S.A.
Phone: (1) 360-834-2500
Fax: (1) 360-834-8903
www.sharpsma.com

TAIWAN

Sharp Electronic Components
(Taiwan) Corporation
8F-A, No. 16, Sec. 4, Nanking E. Rd.
Taipei, Taiwan, Republic of China
Phone: (886) 2-2577-7341
Fax: (886) 2-2577-7326/2-2577-7328

CHINA

Sharp Microelectronics of China
(Shanghai) Co., Ltd.
28 Xin Jin Qiao Road King Tower 16F
Pudong Shanghai, 201206 P.R. China
Phone: (86) 21-5854-7710/21-5834-6056
Fax: (86) 21-5854-4340/21-5834-6057
Head Office:
No. 360, Bashen Road,
Xin Development Bldg. 22
Waigaoqiao Free Trade Zone Shanghai
200131 P.R. China
Email: smc@china.global.sharp.co.jp

EUROPE

Sharp Microelectronics Europe
Division of Sharp Electronics (Europe) GmbH
Sonninstrasse 3
20097 Hamburg, Germany
Phone: (49) 40-2376-2286
Fax: (49) 40-2376-2232
www.sharpsme.com

SINGAPORE

Sharp Electronics (Singapore) PTE., Ltd.
438A, Alexandra Road, #05-01/02
Alexandra Technopark,
Singapore 119967
Phone: (65) 271-3566
Fax: (65) 271-3855

KOREA

Sharp Electronic Components
(Korea) Corporation
RM 501 Geosung B/D, 541
Dohwa-dong, Mapo-ku
Seoul 121-701, Korea
Phone: (82) 2-711-5813 ~ 8
Fax: (82) 2-711-5819

JAPAN

Sharp Corporation
Electronic Components & Devices
22-22 Nagaïke-cho, Abeno-Ku
Osaka 545-8522, Japan
Phone: (81) 6-6621-1221
Fax: (81) 6117-725300/6117-725301
www.sharp-world.com

HONG KONG

Sharp-Roxy (Hong Kong) Ltd.
Level 26, Tower 1, Kowloon Commerce Centre,
No. 51, Kwai Cheong Road, Kwai Chung,
New Territories, Hong Kong
Phone: (852) 28229311
Fax: (852) 28660779
www.sharp.com.hk
Shenzhen Representative Office:
Room 602-603, 6/F,
International Chamber of Commerce Tower,
168 Fuhua Rd. 3, CBD,
Futian District, Shenzhen 518048,
Guangdong, P.R. China
Phone: (86) 755-88313505
Fax: (86) 755-88313515

SPECIFICATIONS ARE SUBJECT TO CHANGE WITHOUT NOTICE.

Suggested applications (if any) are for standard use; See Important Restrictions for limitations on special applications. See Limited Warranty for SHARP's product warranty.

The Limited Warranty is in lieu, and exclusive of, all other warranties, express or implied.

ALL EXPRESS AND IMPLIED WARRANTIES, INCLUDING THE WARRANTIES OF MERCHANTABILITY, FITNESS FOR USE AND FITNESS FOR A PARTICULAR PURPOSE, ARE SPECIFICALLY EXCLUDED. In no event will SHARP be liable, or responsible in any way, for any incidental or consequential economic or property damage.