

PREPARED BY: DATE	SHARP	SPEC No. LCY-04023
APPROVED BY: DATE		FILE No.
		ISSUE: Jul. 12. 2004
	SHARP CORPORATION	PAGE : 21pages
	SPECIFICATION	APPLICABLE GROUP LIQUID CRYSTAL DISPLAY GROUP

DEVICE SPECIFICATION FOR

TFT - LCD module

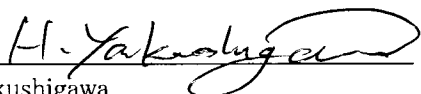
MODEL No. LQ070Y5DR04

CUSTOMER'S APPROVAL

DATE _____

BY _____

PRESENTED

BY 

H.Yakushigawa
 Department General manager
 Engineering department II
 Mobile LCD design center I
 MOBILE LIQUID CRYSTAL DISPLAY GROUP
 SHARP CORPORATION

NOTICE

This publication is the proprietary of SHARP and is copyrighted, with all rights reserved. Under the copyright laws, no part of this publication may be reproduced or transmitted in any form or by any means, electronic or mechanical for any purpose, in whole or in part, without the express written permission of SHARP. Express written permission is also required before any use of this publication may be made by a third party.

The application circuit examples in this publication are provided to explain the representative applications of SHARP's devices and are not intended to guarantee any circuit design or permit any industrial property right or other rights to be executed. SHARP takes no responsibility for any problems related to any industrial property right or a third party resulting from the use of SHARP's devices, except for those resulting directly from device manufacturing processes.

In the absence of confirmation by device specification sheets, SHARP takes no responsibility for any defects that occur in equipment using any of SHARP's devices, shown in catalogs, data books, etc. Contact SHARP in order to obtain the latest device specification sheets before using any SHARP's device.

SHARP reserves the right to make changes in the specifications, characteristics, data, materials, structures and other contents described herein at any time without notice in order to improve design or reliability. Contact SHARP in order to obtain the latest specification sheets before using any SHARP's device. Manufacturing locations are also subject to change without notice.

Observe the following points when using any device in this publication. SHARP takes no responsibility for damage caused by improper use of the devices.

The devices in this publication are designed for use in general electronic equipment designs , such as:

- Car Navigation system •Automotive auxiliary information display
- Automotive audio visual equipment

The appropriate design measures should be taken to ensure reliability and safety when SHARP's devices are used for equipment such as:

- Transportation control and safety equipment(i.e.,aircraft,trains,automobiles,etc.)
- Traffic signals •Gas leakage sensor breakers
- Alarm equipment •Various safety devices etc.

SHARP's devices shall not be used for equipment that requires extremely high level of reliability, such as:

- Military and space applications •Nuclear power control equipment
- Medical equipment for life support

Contact a SHARP representative, in advance, when intending to use SHARP's devices for any "specific" applications other than those recommended by SHARP.

Contact and consult with a SHARP representative if there are any questions about the contents of this publication.

1. Application

This device specification applies to color TFT-LCD module, LQ070Y5DR04.

2. Summary and Features

- This module is a color active matrix LCD module incorporating amorphous silicon TFT (Thin Film Transistor).
- It is composed of a color TFT-LCD panel, driver ICs, control-PWB, FPC, frame, shielding front case, shielding back case and backlight unit.
- Graphics and texts can be displayed on a 800×3×480 dots panel with 262,144 colors by supplying 18 bit data signals(6 bit/color).
- It isn't composed DC/AC inverter .
- Utilizes a panel with a 15:9 aspect ratio, which makes the module suitable for use in wide-screen systems.
- The 7 screen produces a high resolution image that is composed of 384,000 pixels elements in a stripe arrangement.
- Wide viewing field angle technology is employed. (The most suitable viewing angle is in the 6 o'clock direction.)
- By adopting an active matrix drive, a picture with high contrast is realized.
- Reduced reflection as a result of low reflection black matrix and an antiglare (AG) and Low-reflection(LR) polarizer being adopted.
- By COG method, realized a slim, lightweight, and compact module.
- An inverted video display in the vertical and horizontal directions is possible.

3. Mechanical specifications

table 3-1

Parameter	Specifications	Units	Remarks
Display format	384,000	pixels	
	2400(W)×480(H)	dots	
Active area	152.40 (W) × 91.44 (H)	mm	
Screen size (Diagonal)	17.8[7 “]	cm	
Dot pitch	0.064 (W) × 0.191 (H)	mm	
Pixel configuration	R,G,B Stripe configuration		
Outline dimension	165 (W) × 105.5 (H) × 12 (D)	mm	[Note3-1]
Mass	240(Typ)	g	

[Note3-1]

Typical values are given. For detailed measurements and tolerances, please refer to Fig. 2.

4. Input terminal

4-1 TFT-LCD panel driving part

Used connector: 40FLZ-RSM1-R (JST Co., Ltd.)

Table 4-1 CN1

Pin No.	Symbol	Description	Remarks
1	GND	Ground	
2	CK	Clock signal for sampling each data signal	
3	GND	Ground	
4	R0	RED data signal(LSB)	
5	R1	RED data signal	
6	R2	RED data signal	
7	R3	RED data signal	
8	R4	RED data signal	
9	R5	RED data signal(MSB)	
10	GND	Ground	
11	G0	GREEN data signal(LSB)	
12	G1	GREEN data signal	
13	G2	GREEN data signal	
14	G3	GREEN data signal	
15	G4	GREEN data signal	
16	G5	GREEN data signal(MSB)	
17	GND	Ground	
18	B0	BLUE data signal(LSB)	
19	B1	BLUE data signal	
20	B2	BLUE data signal	
21	B3	BLUE data signal	
22	B4	BLUE data signal	
23	B5	BLUE data signal(MSB)	
24	GND	Ground	
25	Hsync	Horizontal Sync	[Note4-1]
26	HENAB	Horizontal Data Enable	[Note4-3]
27	Vsync	Vertical Sync	[Note4-1]
28	GND	Ground	
29	TST1	Terminal for test (Set up "Low")	[Note4-4]
30	TST2	Terminal for test (Set up "Low")	[Note4-4]
31	TST3	Terminal for test (Set up "High")	[Note4-4]
32	TST4	Terminal for test (Set up "Low")	[Note4-4]
33	GND	Ground	
34	HVR	Horizontally and Vertically inverted	[Note4-2]
35	RST	Reset signal for controlled IC	[Note4-5]
36	VCC	+3.3V power supply	
37	VCC	+3.3V power supply	
38	VCC	+3.3V power supply	
39	GND	Ground	
40	GND	Ground	

[Note4-1]

Hsync	Negative
Vsync	Negative

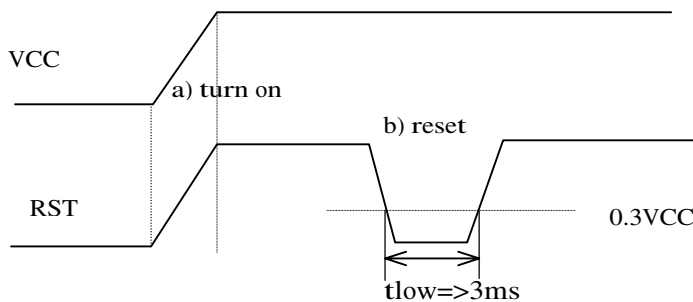
[Note4-2] HVR = "High": Regular video

HVR = "Low" : Horizontally and Vertically inverted video

[Note4-3] The horizontal display start timing is settled in accordance with a rising timing of HENAB signal. (See Fig. A-1, A-2)
 In case HENAB is fixed “Low”, the horizontal start timing is determined as described in Fig. B-1, B-2. (Don't keep HENAB “High” during operation..)

[Note4-4] TST1,TST2,TST4 = “Low”
 TST3 = “High”

[Note4-5]
 The purpose of this terminal (No.35 pin) is to provide reset for controlled IC in this module.
 a) When the input power (VCC) is turned on, RST is to turn on at the same timing.
 b) When RST is reset (High to Low), the resetting (Low) duration should be more than 3msec.
 (See below Fig)



4-2) Backlight fluorescent tube driving part
 Used connector :BHR-04VS-1 (JST Co.,Ltd.)
 Fit connector : SM04(4.0)B-BHS-1-TB (JST Co.,Ltd.)

Table 4-2
 CN2

No.	Symbol	Function
1	VL1	Input terminal 1 (High voltage side)
2	VL2	Input terminal 2(open)
3	VL3	Input terminal 3(open)
4	VL4	Input terminal 4 (Low voltage side)

5. Absolute maximum ratings

Table 5-1

GND=0V

Parameter	Symbol	MIN	MAX	Unit	Note
Input voltage	V_I	-0.3	$V_{CC}+0.3$	V	[Note 5-1]
+3.3V power supply	V_{CC}	-0.3	+5.0	V	
Storage temperature	T_{stg}	-40	85	°C	[Note 5-2,3]
Operating temperature (panel surface)	T_{opr1}	-30	85	°C	[Note 5-2,3,4]
Operating temperature (Ambient temperature)	T_{opr2}	-30	60	°C	[Note 5-5]

[Note 5-1] CK,R0~R5,G0~G5,B0~B5,Hsync,Vsync,HENAB,HVR,RST

[Note 5-2] This rating applies to all parts of the module and should not be exceeded.

[Note 5-3] Maximum wet-bulb temperature is less than 58°C. Condensation of dew must be avoided as electrical current leaks will occur, causing a degradation of performance specifications.

[Note 5-4] The operating temperature only guarantees operation of the circuit. For contrast, speed response, and other factors related to display quality, determine operating temperature using the formula $T_a = +25^\circ\text{C}$

[Note 5-5] Ambient temperature when the backlight is lit (reference value).

6. Electrical characteristics

6-1) TFT-LCD panel driving section

Table 6-1

Ta= 25°C

Parameter		Symbol	MN	TYP	MAX	Unit	Remarks
+3.3V	Supply voltage	VCC	+3.0	+3.3	+3.6	V	[Note 6-1]
	Current dissipation	ICC	—	320	450	mA	[Note 6-2]
Permissive input ripple		V _{RF}	—	—	200	mVpp	
Input Low voltage		V _{IL}	-0.3	—	0.3V _{CC}	V	[Note 6-3]
Input High voltage		V _{IH}	0.7V _{CC}	—	3.6	V	
Low level Input current 1		I _{IL1}	—	—	1.0	μA	V _I =0V or V _{CC} [Note 6-3]
High level Input current 1		I _{IH1}	—	—	1.0		
Low level Input current 2		I _{IL2}	—	—	3.0	μA	V _I =0V or V _{CC} [Note 6-4]
High level Input current 2		I _{IH2}	—	—	100.0		
Low level Input current 3		I _{IL3}	—	—	100.0	μA	V _I =0V or V _{CC} [Note 6-5]
High level Input current 3		I _{IH3}	—	—	3.0		
Low level Input current 4		I _{IL4}	—	—	6.0	μA	V _I =0V or V _{CC} [Note 6-6]
High level Input current 4		I _{IH4}	—	—	200.0		

[Note 6-1]

V_{CC}-turn-on and turn-off conditions

0 < t₁ <= 10ms

0 < t₂ <= 10ms

0 < t₃ <= 1s

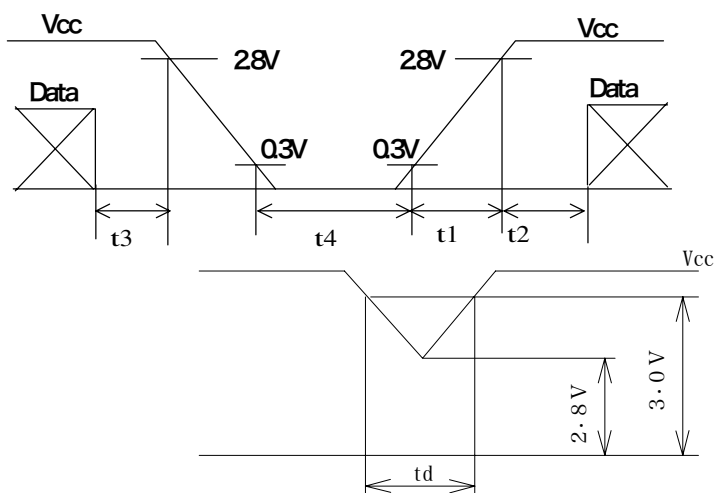
t₄ > 1s

V_{CC}-dip conditions

1) In case 2.8V <= V_{CC} < 3.0V, t_d <= 10ms

2) In case V_{CC} < 2.8V,

V_{CC}-dip conditions should also follow the V_{CC}-turn-on and turn-off conditions.



[Note 6-2]

Timing: Typical

V_{CC} : 3.3V

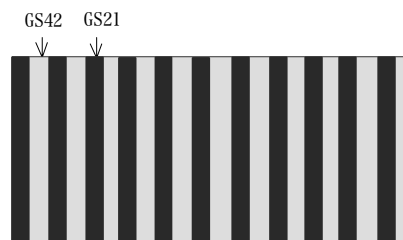
Set up serial data : Value in resetting

Situation: Typical current ; Black (V0) pattern

Max current ; Vertical stripe pattern alternating 21 gray scale (GS21) with 42 gray scale (GS42) every 1 dot.



Typical current situation



Max current situation

[Caution] The stated data is current dissipation when the supply voltage stabilizes, is not momentary current dissipation when the supply voltage turn-on.

[Note 6-3] CK,R0~R5,G0~G5,B0~B5,Hsync,Vsync,HENAB,HVR,RST,TST1~TST4

[Note 6-4] TST3,RST

[Note 6-5] TST1,TST2,TST4,HENAB

[Note 6-6]HVR

6-2) Backlight driving section

The backlight system is an edge-lighting type with one CCFT (Cold Cathode Fluorescent Tube). The characteristics of Lamp are shown in the following table.

Table 6-2

Parameter	Symbol	M N	TYP	MAX	Unit	Remarks
lamp voltage	VL7	750	840	930	Vrms	L=6.0mArms
lamp current	L	5.5	6.0	6.5	mArms	In case normal
(When Boost)	ILB	—	—	9.0		Within 5 minutes at low temperature
Discharge pipe electric power	WL	—	5.0	—	W	When the fixed case lights up
lamp frequency	fL	40	—	100	kHz	
kick-off voltage	VS	—	—	3000	Vrms	Ta=+25°C
		—	—	3250	Vrms	Ta=-30°C

Inverter(HIU-766 13.5pF 52kHz)

[Caution]

Please use the inverter which has the one of the sine wave. With regards to the inverter, it should be negative/positive wave symmetry and the spike wave should not be occurred.

7. Timing Characteristics of input signals

Timing diagrams of input signal are shown in Fig.A-1,A-2

7-1) 1/TV=60Hz In case W-VGA mode

7-1-1) Timing characteristics

Table 7-1

Tp = -30~+85°C

Parameter		Symbol	MIN	TYP	MAX	Unit	Remarks
Clock	frequency	1/Tc	31.95	33.26	34.60	MHz	
	High time	Tch	8	—	—	ns	
	Low time	Tcl	8	—	—	ns	
Data	Setup time	Tds	5	—	—	ns	
	Hold time	Tdh	5	—	—	ns	
Horizontal sync. signal	Cycle	TH	31.45	31.75	32.05	μs	
			1024	1056	1088	clock	
	Pulse width	THp	5	128	186	clock	
Vertical sync. Signal	Cycle	TV	520	525	530	line	
	Pulse width	TVp	2	—	TV-515	line	
Horizontal display period		THd	—	800	—	clock	
Hsync-Clock phase difference		THc	A-8	—	A+8	ns	※ A=Tch(1/2DCLK)
Hsync-Vsync phase difference		TVh	-8	0	8	ns	
Vertical display invalid line		TVs	—	33	—	line	
Vertical display period		TVd	—	480	—	line	

7-1-2) Horizontal display position

The horizontal display position is determined by HENAB signal.

Table 7-2

Tp = -30~+85°C

Parameter		Symbol	Min.	Typ.	Max.	Unit	Remark
HENAB signal	Setup time	Tes	5	—	Tc-10	ns	
	Pulse width	Tep	5	800	800	clock	
Hsync-HENAB signal phase Difference		THE	88	—	216	clock	

[Note7-1]

In case HENAB is “Low”, the display starts from the data of 216 clock [C216] as shown in Fig.B-1.
 In case HENAB is “active”, $THE \geq TH$ [clock] - 1000 [clock]

7-2) 1/TV=50Hz In case W-VGA mode

7-2-1) Timing characteristics

Table 7-3

Tp = -30~+85°C

Parameter		Symbol	MIN	TYP	MAX	Unit	Remarks
Clock	frequency	1/Tc	—	—	34.59	MHz	
	High time	Tch	8	—	—	ns	
	Low time	Tcl	8	—	—	ns	
Data	Setup time	Tds	5	—	—	ns	
	Hold time	Tdh	5	—	—	ns	
Horizontal sync. signal	Cycle	TH	31.45	—	—	μs	
			1024	1056	1088	clock	
	Pulse width	THp	5	128	186	clock	
Vertical sync. Signal	Cycle	TV	520	525	530	line	
	Pulse width	TVp	2	—	TV-515	line	
Horizontal display period		THd	—	800	—	clock	
Hsync-Clock phase difference		THc	8	—	Tc-10	ns	
Hsync-Vsync phase difference		TVh	-8	0	8	ns	
Vertical display invalid line		TVs	—	33	—	line	
Vertical display period		TVd	—	480	—	line	

7-2-2) Horizontal display position

The horizontal display position is determined by HENAB signal.

Table 7-4

$T_p = -30 \sim +85^\circ\text{C}$

Parameter		Symbol	Min.	Typ.	Max.	Unit	Remark
HENAB signal	Setup time	Tes	5	—	Tc-10	ns	
	Pulse width	Tep	5	800	800	clock	
Hsync-HENAB signal phase Difference		THE	88	—	216	clock	

[Note7-2]

In case HENAB is “Low”, the display starts from the data of 216 clock [C216] as shown in Fig.B-1.

In case HENAB is “active”, $T_{He} \geq T_H$ [clock] - 1000 [clock]

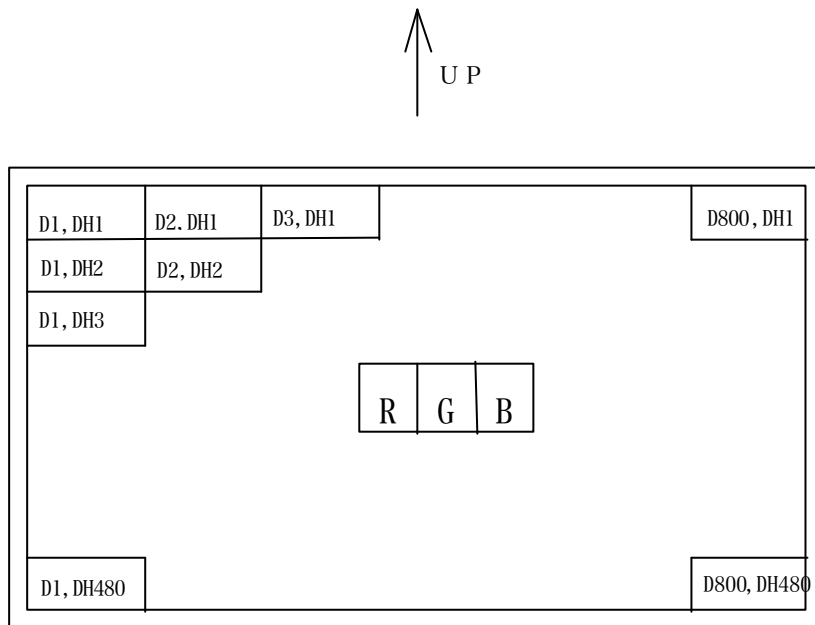
7-3) Vertical display position

Vertical display invalid line [TVs] is fixed 33 line.

HENAB signal must be input during Vertical invalid data period as well as Vertical display period.

7-4) Input Data Signals and Display Position on the screen

Refer to the following figure



Display position of input data (H,V)

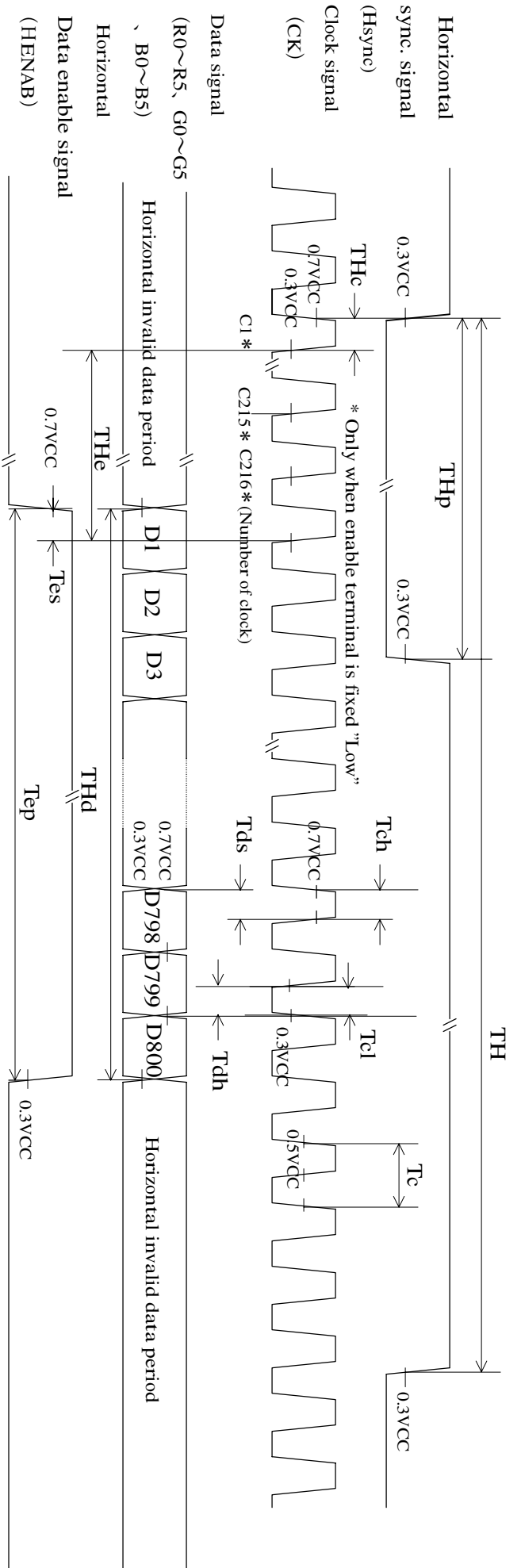


Fig.A-1 Input horizontal signal waveform

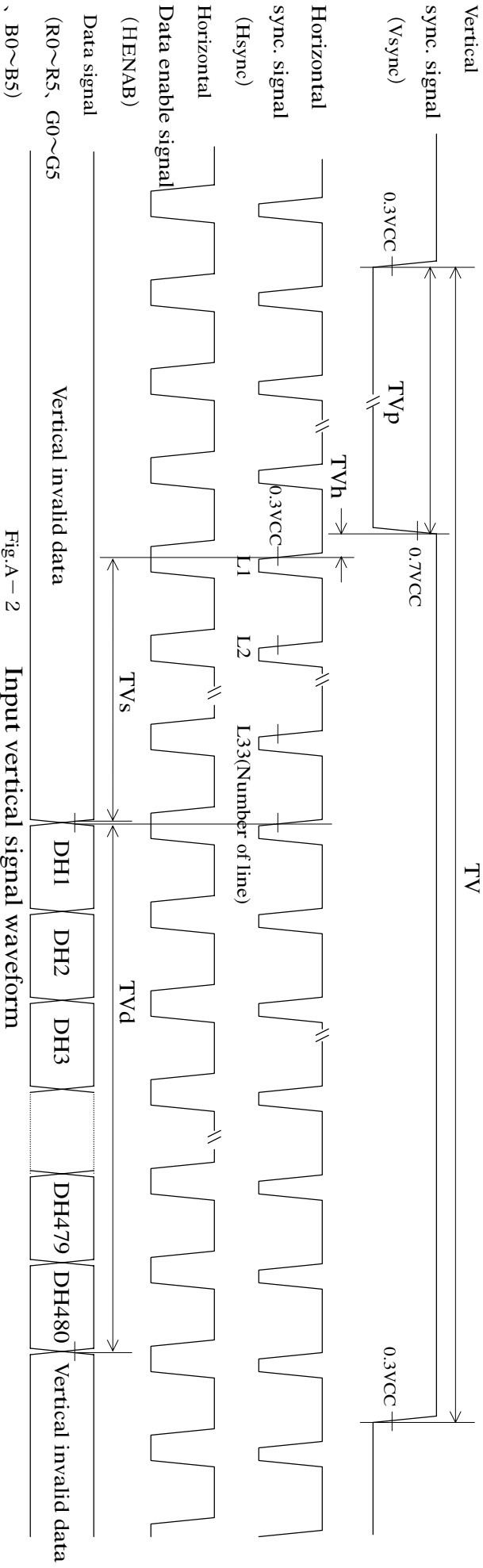


Fig.A-2 Input vertical signal waveform

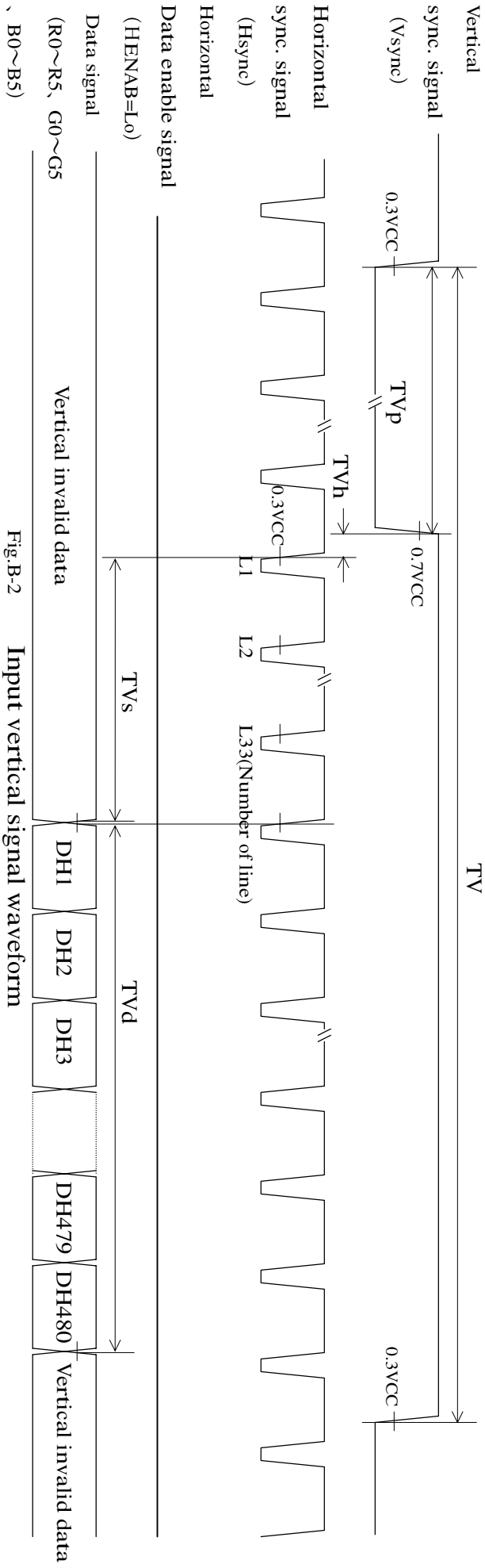
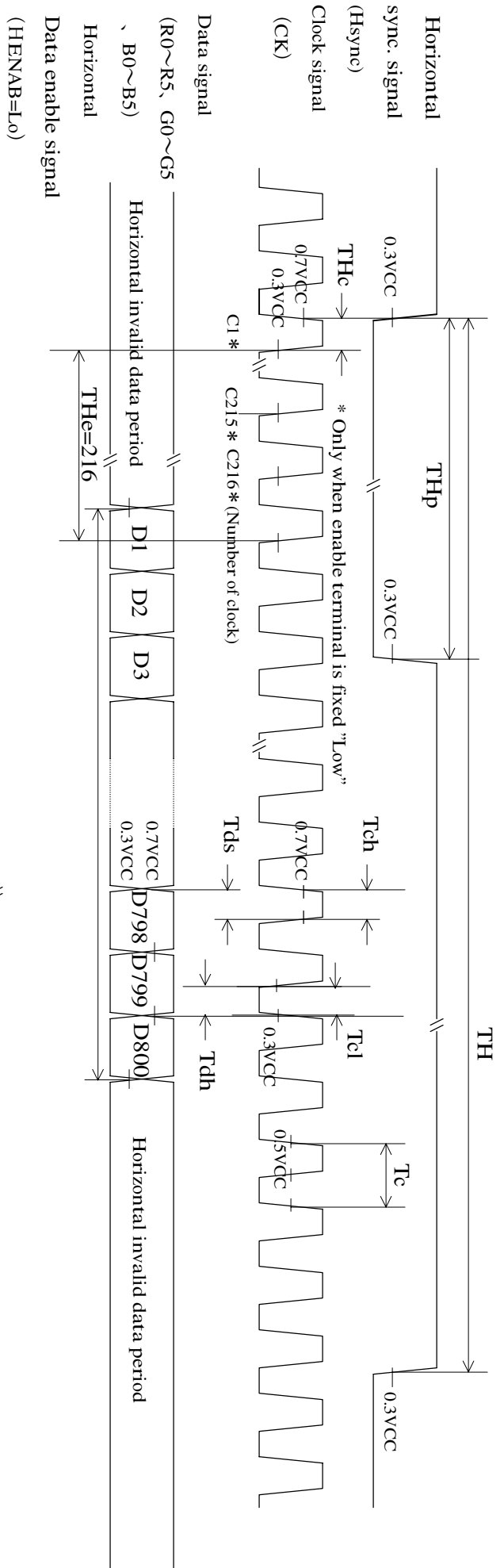


Fig. B-1 Input horizontal signal waveform

Fig. B-2 Input vertical signal waveform

8. Input Signals, Basic Display Color and Gray Scale of Each Color

Table 8-1

Colors & Gray scale	Gray Scale	Data signal														0 :Low level voltage						1 :High level voltage					
		R0	R1	R2	R3	R4	R5	G0	G1	G2	G3	G4	G5	B0	B1	B2	B3	B4	B5								
Basic color	Black	—	0	0	0	0	0	0	0	0	0	0	0	0	0	0	0	0	0	0							
	Blue	—	0	0	0	0	0	0	0	0	0	0	0	0	1	1	1	1	1	1							
	Green	—	0	0	0	0	0	0	1	1	1	1	1	1	0	0	0	0	0	0							
	Cyan	—	0	0	0	0	0	0	1	1	1	1	1	1	1	1	1	1	1	1							
	Red	—	1	1	1	1	1	1	0	0	0	0	0	0	0	0	0	0	0	0							
	Magenta	—	1	1	1	1	1	1	0	0	0	0	0	0	1	1	1	1	1	1							
	Yellow	—	1	1	1	1	1	1	1	1	1	1	1	1	0	0	0	0	0	0							
	White	—	1	1	1	1	1	1	1	1	1	1	1	1	1	1	1	1	1	1							
Gray Scale of red	Black	GS0	0	0	0	0	0	0	0	0	0	0	0	0	0	0	0	0	0	0							
	↑	GS1	1	0	0	0	0	0	0	0	0	0	0	0	0	0	0	0	0	0							
	Darker	GS2	0	1	0	0	0	0	0	0	0	0	0	0	0	0	0	0	0	0							
		↑	↓			↓					↓					↓											
	Brighter	GS61	1	0	1	1	1	1	0	0	0	0	0	0	0	0	0	0	0	0							
		↓	GS62	0	1	1	1	1	1	0	0	0	0	0	0	0	0	0	0	0	0						
	Red	GS63	1	1	1	1	1	1	0	0	0	0	0	0	0	0	0	0	0	0							
	Gray Scale of green	Black	GS0	0	0	0	0	0	0	0	0	0	0	0	0	0	0	0	0	0	0						
↑		GS1	0	0	0	0	0	0	1	0	0	0	0	0	0	0	0	0	0	0							
Darker		GS2	0	0	0	0	0	0	0	1	0	0	0	0	0	0	0	0	0	0							
		↑	↓			↓					↓					↓											
Brighter		GS61	0	0	0	0	0	0	1	0	1	1	1	1	0	0	0	0	0	0							
		↓	GS62	0	0	0	0	0	0	0	1	1	1	1	1	0	0	0	0	0	0						
Green		GS63	0	0	0	0	0	0	1	1	1	1	1	1	0	0	0	0	0	0							
Gray Scale of bleu		Black	GS0	0	0	0	0	0	0	0	0	0	0	0	0	0	0	0	0	0	0						
	↑	GS1	0	0	0	0	0	0	0	0	0	0	0	0	1	0	0	0	0	0							
	Darker	GS2	0	0	0	0	0	0	0	0	0	0	0	0	0	1	0	0	0	0							
		↑	↓			↓					↓					↓											
	Brighter	GS61	0	0	0	0	0	0	0	0	0	0	0	0	1	0	1	1	1	1							
		↓	GS62	0	0	0	0	0	0	0	0	0	0	0	0	0	1	1	1	1	1						
	Bleu	GS63	0	0	0	0	0	0	0	0	0	0	0	0	1	1	1	1	1	1							

Each basic color can be displayed in 64 gray scales from 6 bit data signals. According to the combination of total 18 bit data signals, the 262,144-color display can be achieved on the screen.

9.Optical characteristics

Table 9-1

Ta=25°C, Vcc=+3.3V

Parameter	Symbol	Condition	Min	Typ	Max	Unit	Remarks	
Viewing Angle Range	$\theta 21, \theta 22$	CR=> 5	60	65	—	° (degree)	[Note9-1,4]	
	$\theta 11$		60	65	—	° (degree)		
	$\theta 12$		50	55	—	° (degree)		
Contrast ratio	C Rmax	Optimal	100	—	—		[Note9-2]	
Response time	Rise	$\theta = 0^\circ$	—	30	60	ms	[Note9-3]	
	Fall		—	50	100	ms		
White Chromaticity	x	IL=6.5mArms $\theta = 0^\circ$	0.263	0.313	0.363		[Note9-4]	
	y		0.279	0.329	0.379			
Luminance	Y		300	400	—	cd/m ²		
	YLOW	IL=9.0mArms	—	40	—	%	[Note9-5]	
Lamp lifetime	+25°C	—	continuation	10,000	—	—	hour	[Note9-6]
	-30°C	—	intermission	2,000	—	—	time	[Note9-7]
Diffuse Reflectance	R		—	2.5	3.5	%		

DC/AC inverter for external connection shown in following.

Inverter HIU-766(13.5pF)

※measuring after 30 minutes. It does the optical measurement of the characteristic in the condition which is equal to the darkroom or this using the way of measuring the following Fig B, Fig C.

Condition: Reflectance → Shimizu Corporation. (Model:UV-3100PC) : C-light source

Haze value → Nippon Denshoku Industries Co. Ltd. (Model:NDH2000)

(Haze value of the polarization plate of this module is 10% (typ).)

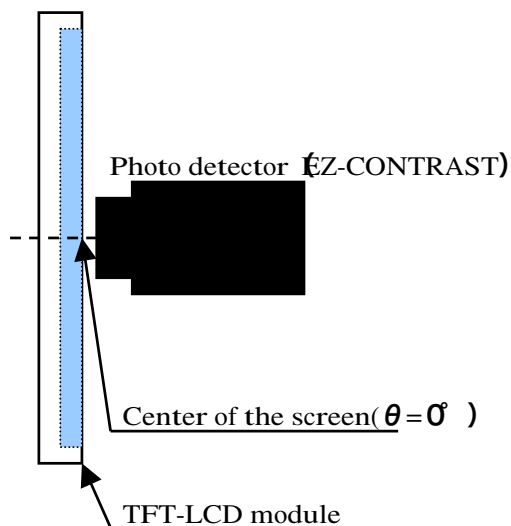


Fig B The way of measuring
Viewing angle range/ Contrast/ Response time

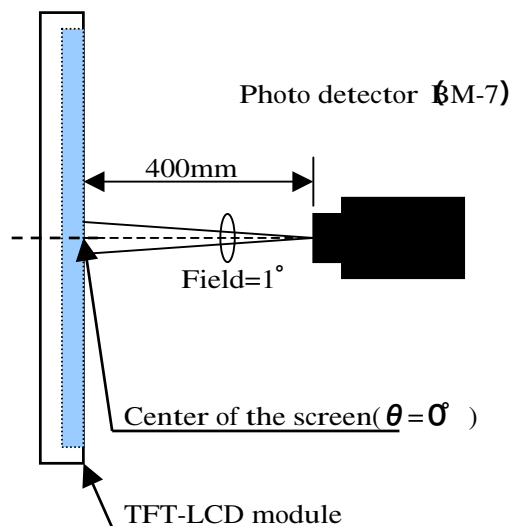
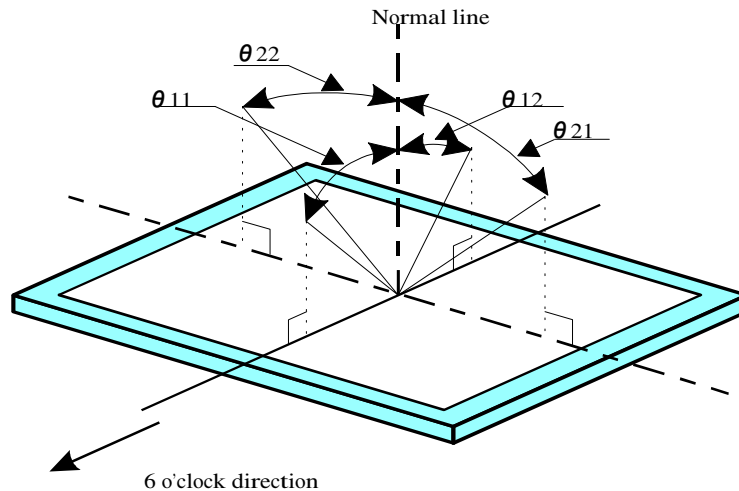


Fig C The way of measuring
Luminance/ Chromaticity

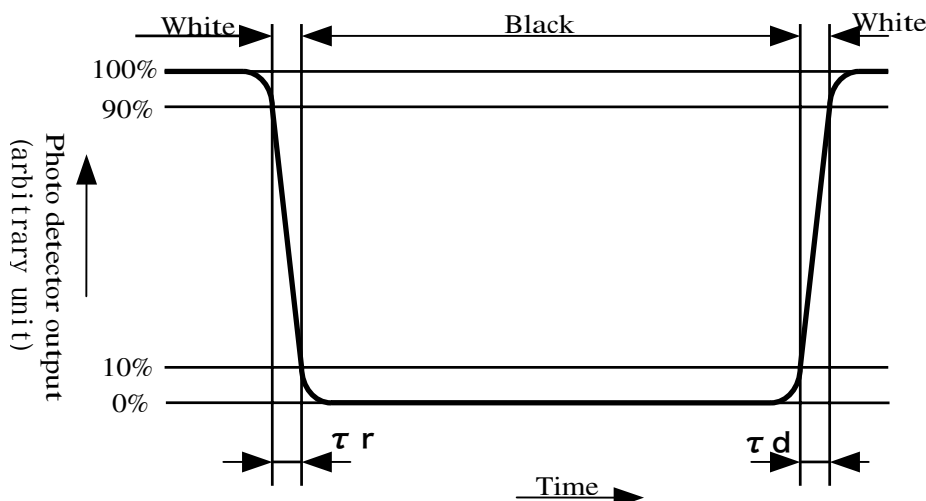
[Note 9-1] Viewing angle range is defined as follows.



[Note 9-2] Contrast ratio of transmission is defined as follows:

$$\text{Contrast ratio(CR)} = \frac{\text{Photo detector output with LCD being "white"}}{\text{Photo detector output with LCD being "black"}}$$

[Note 9-3] Response time is obtained by measuring the transition time of photo detector output, when input signals are applied so as to make the area "black" to and from "white".



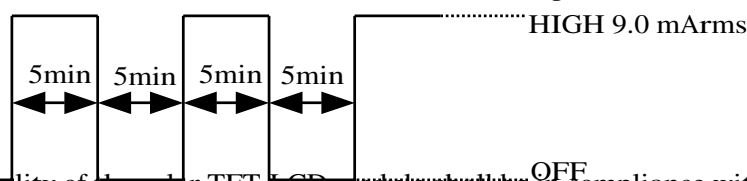
[Note 9-4] Measured on the center area of the panel (After 30 minutes operation)
DC/AC inverter driving frequency: 52 kHz

[Note 9-5] Ambient temperature : -10°C
Measured luminance on the panel after 1 minutes operation.
IL=9.0mAmps Boost ,100% at 25°C stabilized.

[Note 9-6] Lamp life time is defined as the time when the brightness of the panel not to become less than 50% of the original value in the continuous operation under the condition of lamp current IL= 6.5 mAmps and PWM dimming 100%~5% (Ta=25°C).

[Note 9-7] The intermittent cycles is defined as a time when brightness not to become under 50% of the original value under the condition of following cycle.

Ambient temperature:-30°C



10. Display quality

The display quality of the color TFT-LCD module shall be in compliance with the Incoming Inspection Standards for TFT-LCD.

11. Handling instructions

11-1) Mounting of module

The TFT-LCD module is designed to be mounted on equipment using the mounting tabs in the four corners of the module at the rear side.

On mounting the module, as the 2.5 tapping screw fastening torque is (0.30) through (0.50)N•m is recommended, be sure to fix the module on the same plane, taking care not to wrap or twist the module.

Don't reach the pressure of touch-switches of the set side to a module directly, because images may be disturbed.

Please power off the module when you connect the input/output connector.

Please connect the metallic shielding cases of the module and the ground pattern of the inverter circuit surely. If that connection is not perfect, there may be a possibility that the following problems happen.

- a) The noise from the backlight unit will increase.
- b) The output from inverter circuit will be unstable. Then, there may be a possibility that some problems happen.
- c) In some cases, a part of module will heat.
- d) Don't pull a CCFT lead line with the power beyond 10N. It has the possibility of the breakage in the lamp, the connection part of the lead line, and so on.

11-2) Precautions in mounting

Polarizer which is made of soft material and susceptible to flaw must be handled carefully.

Protection sheet is applied on the surface to protect it against scratches and dirties.

It is recommended to remove the protection sheet immediately before the use, taking care of static electricity.

Precautions in removing the protection sheet

A) Working environment

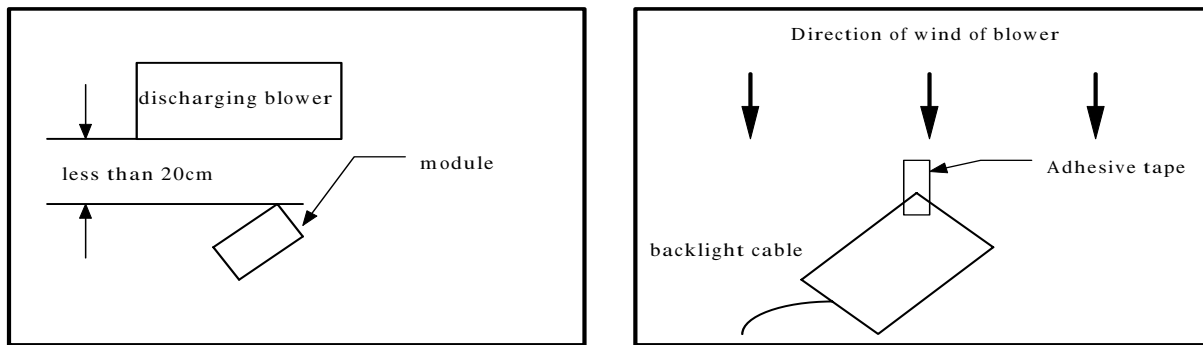
When the protection sheet is removed off, static electricity may cause dust to stick to the polarizer surface.

To avoid this, the following working environment is desirable.

- a) Floor: Conductive treatment of $1M\Omega$ or more on the tile
(conductive mat or conductive paint on the tile)
- b) Clean room free from dust and with an adhesive mat on the doorway
- c) Advisable humidity: 50%~70% Advisable temperature: 15°C~27°C
- d) Workers shall wear conductive shoes, conductive work clothes, conductive gloves and an earth band.

B) Working procedures

- a) Direct the wind of discharging blower somewhat downward to ensure that module is blown sufficiently. Keep the distance between module and discharging blower within 20 cm.
- b) Attach adhesive tape to the protection sheet part near discharging blower so as to protect polarizer against flaw.
- c) Remove the protection sheet, pulling adhesive tape slowly to your side.
- d) On removing the protection sheet, pass the module to the next work process to prevent the module to get dust.



e) Method of removing dust from polarizer

- Blow off dust with N2 blower for which static electricity preventive measure has been taken.
- Since polarizer is vulnerable, wiping should be avoided.
But when the panel has stain or grease, we recommend to use adhesive tape to softly remove them from the panel.

When metal part of the TFT-LCD module (shielding lid and rear case) is soiled, wipe it with soft dry cloth. For stubborn dirties, wipe the part, breathing on it. Wipe off water drop or finger grease immediately. Long contact with water may cause discoloration or spots. TFT-LCD module uses glass which breaks or cracks easily if dropped or bumped on hard surface. Handle with care. Since CMOS LSI is used in this module, take care of static electricity and earth your body when handling.

11-3) Precautions in adjusting module

Adjusting volumes on the rear face of the module have been set optimally before shipment. Therefore, do not change any adjusted values. If adjusted values are changed, the specifications described here may not be satisfied.

11-4) Caution of product design

The LCD module shall be protected against water salt-water by the waterproof cover. Please take measures to interferential radiation from module, not to interfere surrounding appliances.

Because driving voltage for backlight is high, it is dangerous to use LCD module under the conditions which are deviated from specification.

The equipment for which the LCD module is used shall have fail-safe design so that the safety can be ensured in case abnormality of inverter circuit, etc. should occur.

11-5) Others

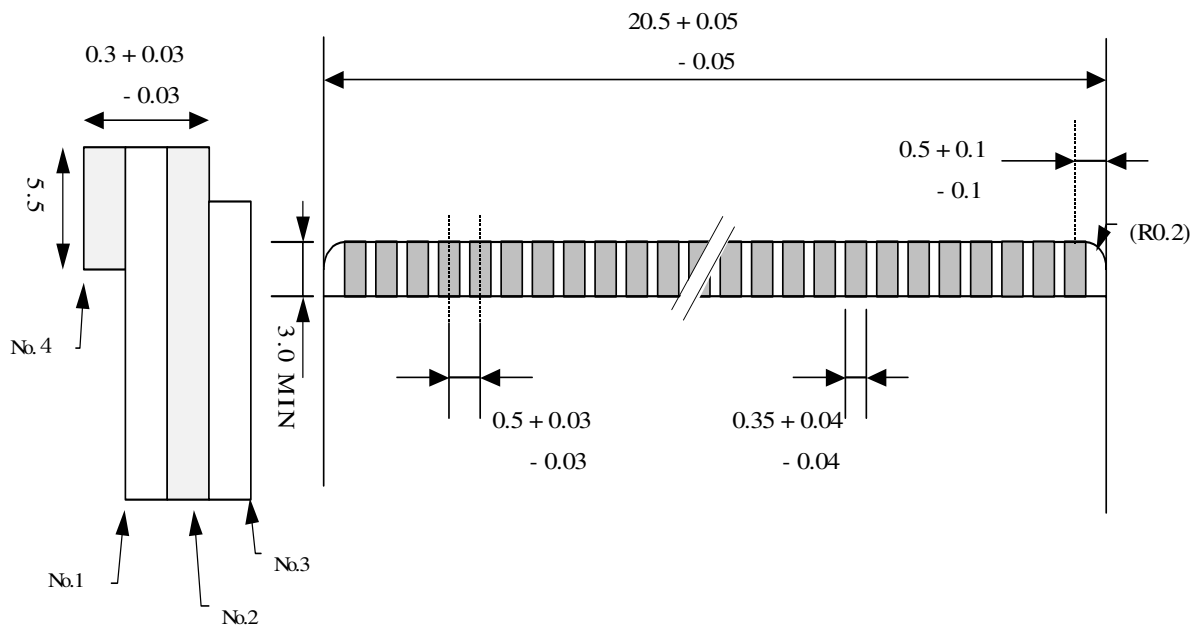
Do not expose the module to direct sunlight or intensive ultraviolet rays for several hours; liquid crystal is deteriorated by ultraviolet rays. Store the module at a temperature near the room temperature. At lower than the rated storage temperature, liquid crystal solidifies, causing the panel to be damaged. At higher than the rated storage temperature, liquid crystal turns into isotropic liquid and may not recover. If LCD panel breaks, there may be a possibility that the liquid crystal escapes from the panel. Since the liquid crystal is injurious, do not put it into the eyes or mouth. When liquid crystal sticks to hands, feet or clothes, wash it out immediately with soap. Observe all other precautionary requirements in handling general electronic components.

12. Packing form

- a) Piling number of cartons : MAX 10 layers max
- b) Package quantity in one carton 20 pcs
- c) Carton size: 349(W) × 200(H) × 534(D) mm
- d) Total mass of one carton filled with full modules: 7.4 kg
- e) Conditions for storage.
 - Environment
 - ① Temperature : 0~40°C
 - ② Humidity : 60%RH or less at 40°C
No dew condensation at low temperature and high humidity.
 - ③ Atmosphere : Harmful gas, such as acid or alkali which bites electronic components and/or wires, must not be detected.
 - ④ Period : about 3 months
 - ⑤ Opening of the package : In order to prevent the LCD module from breakdown by electrostatic charges, please control the room humidity over 50%RH and open the package taking sufficient countermeasures against electrostatic charges, such as earth, etc.

13. Others

- a) Adjusting volume have been set optimally before shipment, so do not change any adjusted value. If adjusted value is changed, the specification may not be satisfied.
- b) Disassembling the module can cause permanent damage and should be strictly avoided.
- c) Please be careful since image retention may occur when a fixed pattern is displayed for a long time.
- d) Input/Output connector for TFT-LCD panel driving part
 - 1) Fit FPC : Refer to the following figure
 - 2) Keeping power of terminal : 0.9N/pin or more
[Every terminal is pulled out 25 ± 3 mm/minute]
 - 3) Endurance of insert/ pull out : Double the beginning or less
[In case repeat 20 times to insert/ pull out with fit FPC, changed electrical resistance data of contact]

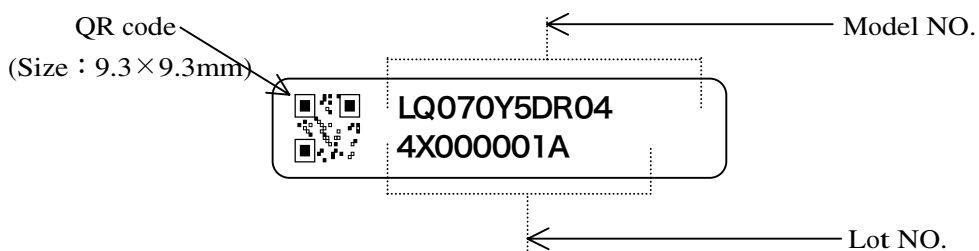


No.	Parameter	Material
1	Base material	Polyimide or the equivalent [25um thickness]
2	Copper leaf	Copper leaf [35um thickness] solder leaf [2um or less thickness]
3	Coverlay	Polyimide or the equivalent
4	Reinforced sheet	Polyester/ polyimide or the equivalent [188um thickness]

Fit FPC for Input/ Output connector: 0.5mm pitch

14. Indication of lot number

The lot number is shown on a label. Attached location is shown in Fig.1 (Outline Dimensions).
Indicated contents of the label



- contents of lot No. the 1st figure ·· production year (ex. 2004 : 4)
- the 2nd figure ·· production month 1,2,3,·····,9,X,Y,Z
- the 3rd~8th figure ·· serial No. 000001~
- the 9th figure ·· revision marks A,B,C··

15. Reliability Test Conditions for TFT-LCD Module

Table 15-1

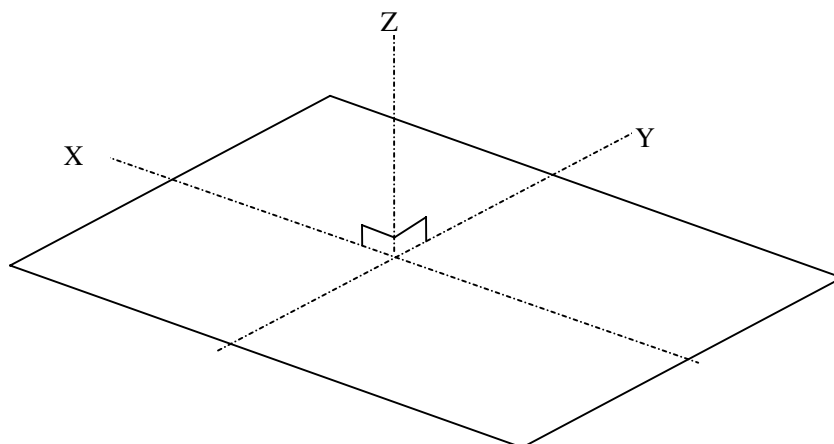
Remark) Temperature condition is based on operating temperature conditions on 5. Table 5-1.

No.	Test items	Test conditions
1	High temperature storage test	Ta= +85°C 240h turn off LCD(No operation)
2	Low temperature storage test	Ta= -40°C 240h turn off LCD (No operation)
3	High temperature and high humidity operating test	Tp=+60°C 90%RH 240h Turn off B/L. Turn on LCD(Displayed Black image)
4	High temperature operating test	Tp= +85°C 240h Turn on B/L. Turn on LCD at 85°Cwith panel surface
5	Low temperature operating test	Ta= -30°C 240h Turn off B/L. Turn on LCD at -30°Cwith ambient temperature (Displayed Black image)
6	Electro static discharge test	±200V 200pF(0Ω) 1 time for each terminals
7	Shock test	980m/s ² 6ms, ±X ;±Y ;±Z 3 times for each direction (IS C0041, A-7 Condition C)
8	Vibration test	Frequency 8~33.3Hz, Stroke :1.3mm Frequency 33.3Hz~400Hz, Acceleration 28.4m/s ² Sweep cycle :15 minutes X,Z 2 hours for each directions, 4 hours for Y direction (total 8 hours) (IS D1601)
9	Heat shock test	Ta= -40°C ~ +85°C / 200 cycles (0.5h) (0.5h) Turn off B/L.

[Note] Ta= Ambient temperature, Tp= Panel temperature

[Check items] In the standard condition, there shall be no practical problems that may affect the display function.

X,Y,Z directions are shown as follows:



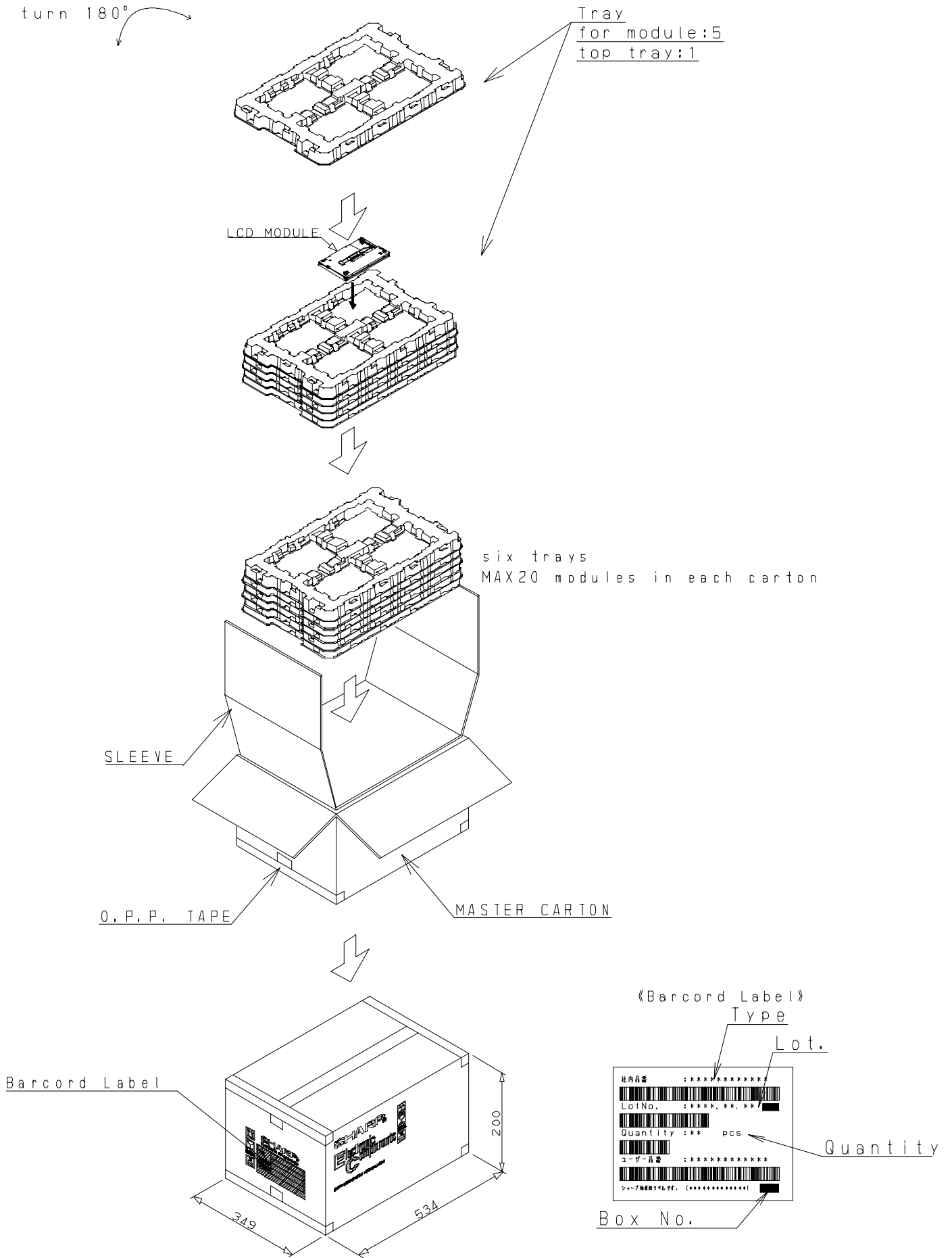
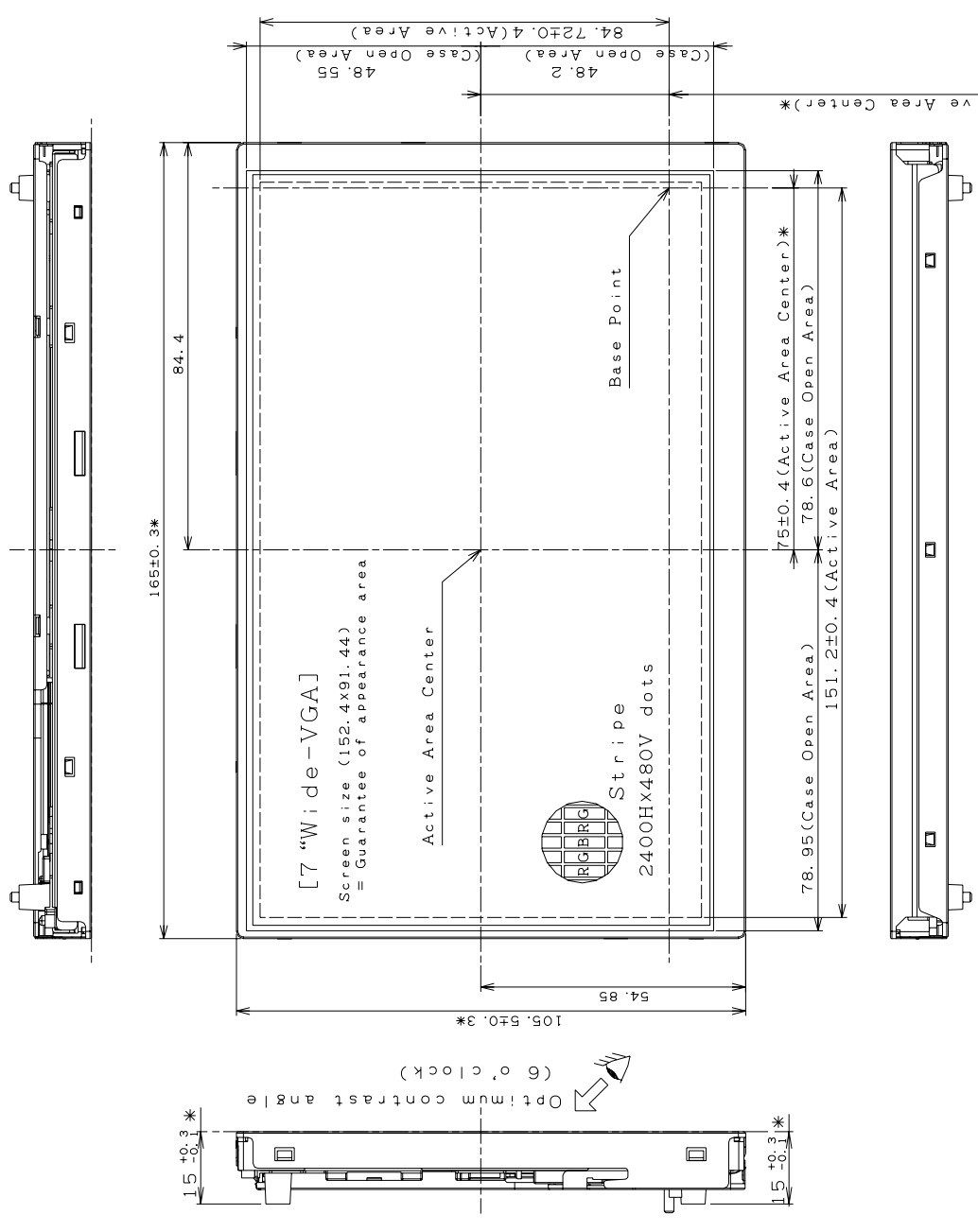
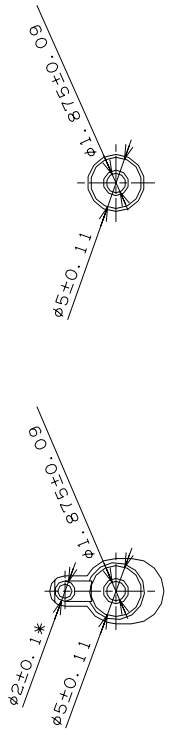
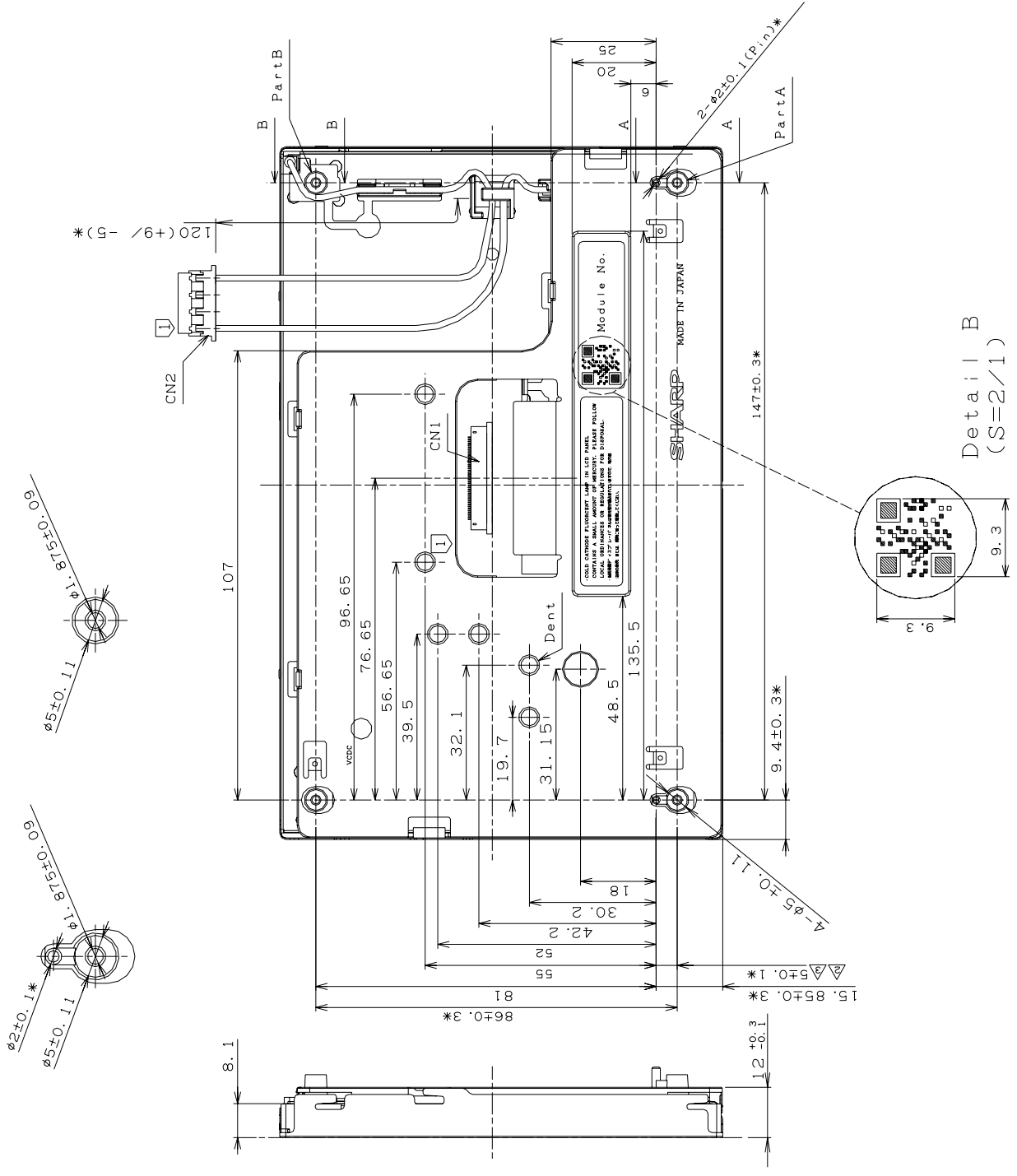


Fig. 1 Packing Form

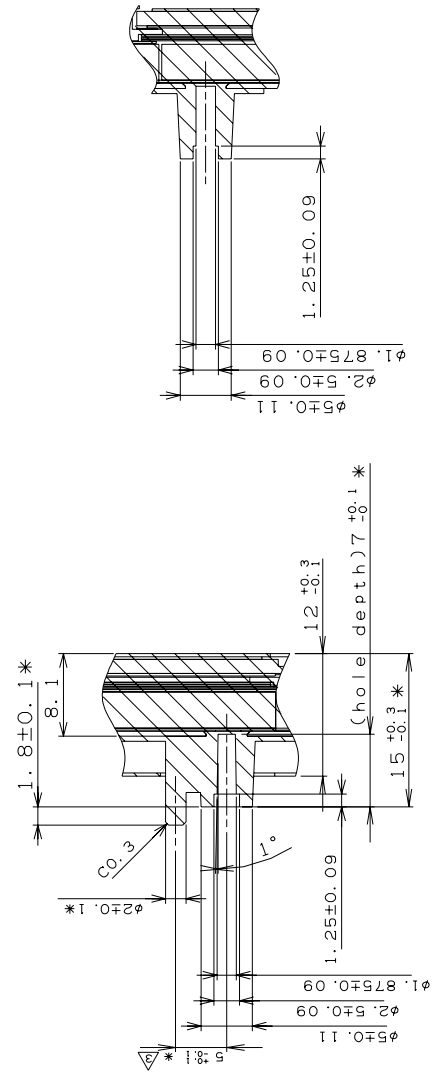
A B C D E F G H I J

SHARP

PartA (Scale:2/1) PartB (Scale:2/1)



Material of Domes : POM



CN1:I/O connector is 40FLZ-RSM1-R-TB(JST)
CN2:CCFT connector is BHR-04VS-1(JST).

"*" dimensions for each PPAP value.
Take care in set design to hide the scratches and bubbles appeared on the polarizer or other frame area which is located outside of active area.

unit:mm		General tolerance is ±0.3		SCALE		free		size		A4	
DATE	2004.02.27										
MODEL	L10070Y5DR04										
DRAWING NO	L1CM-04139B										
No. DATE		REVISION		ENGINEERING DEPT.2		MOBILE LCD DESIGN CENTER 1		SHARP CO. LTD			
Change the tolerance		Addition of the tolerance and detailed view.		Drawing No. is taken again. (All over Revision)		S.Kato		C.OhYama		C.OhYama	
S.Kato		C.OhYama		C.OhYama		S.Kato		C.OhYama		C.OhYama	

Sec. B-B

Sec. A-A

Fig.2 Outline dimensions