

PREPARED BY : DATE	<p style="text-align: center;">SHARP</p> <p style="text-align: center;">LIQUID CRYSTAL DISPLAY GROUP</p> <p style="text-align: center;">SHARP CORPORATION</p> <p style="text-align: center;">SPECIFICATION</p>	SPEC No. LD - 8706
APPROVED BY : DATE		FILE No.
		ISSUE : August 28 . 1995
		PAGE : 6 pages
	APPLICABLE GROUP Liquid Crystal Display Group	

DEVICE SPECIFICATION FOR


BACKLIGHT UNIT

MODEL No. **LQ0B152**

CUSTOMER'S APPROVAL

DATE _____

BY _____

PRESENTED BY 

H.FUKUOKA
 Department General Manager
 Engineering Department 2
 TFT Development Center
 TENRI LIQUID CRYSTAL
 DISPLAY GROUP
 SHARP CORPORATION

(1) Subject

LQ0B152 : Literature on backlight unit for 35cm(13.8") TFT-LCD module.

- > These specification sheets are the proprietary product of SHARP CORPORATION (SHARP) and include materials protected under copyright of SHARP. Do not reproduce or cause any third party to reproduce them in any form or by any means, electronic or mechanical, for any purpose, in whole or in part, without the express written permission of SHARP.
- > The device listed in these specification sheets was designed and manufactured for use in OA equipment.
- > In case of using the device for applications such as control and safety equipment for transportation (aircraft, trains, automobiles, etc.), rescue and security equipment and various safety related equipment which require higher reliability and safety, take into consideration that appropriate measures such as fail-safe functions and redundant system design should be taken.
- > Do not use the device for equipment that requires an extreme level of reliability, such as aerospace applications, telecommunication equipment(trunk lines), nuclear power control equipment and medical or other equipment for life support.
- > SHARP assumes no responsibility for any damage resulting from the use of the device which does not comply with the instructions and the precautions specified in these specification sheets.

Contact and consult with a SHARP sales representative for any questions about this device.

(2) Introduction

This backlight unit is a service part for 35cm TFT-LCD module (LQ14X01) whose backlight is designed to be replaceable.

(3) Construction and Outline

The unit is composed of cold cathode fluorescent tubes, rubber cushions, I/O wires (including connectors), and lamp holders.

* Outline drawing of backlight unit : See Fig. 1.

(4) Input / Output terminals

4-1) I/O terminal order

Table 1

Pin No.	Symbol	i/o	Description
1	V _{HIGH}	i	Power supply for lamp (High voltage side)
2	NC	-	No connection
3	V _{LOW}	i	Power supply for lamp (Low voltage side)

4-2) I/O connector

- 1) Installed socket housing : BHR-03VS-1
- 2) Applicable connector housing: SM02(8.0)B-BHS-1
(produced by Japan Solderless Terminal)

(5) Electrical characteristics

Table 2

Ta=25°C

Parameter	Symbol	MIN.	TYP.	MAX.	Unit	Remarks
Lamp current	I _L	2.0	5.5	6.0	mArms	(just for reference)
Lamp voltage	V _L	-	650	-	Vrms	【Note 1】
Power consumption	W _L	-	3.6	-	W	【Note 2】
Frequency	F _L	20	35	60	kHz	
Kick-off voltage	V _s	-	-	1,250	Vrms	Ta=25°C
	V _s	-	-	1,400	Vrms	Ta=0°C
Start up time	T _s	-	-	1.0	sec	
Lamp life	L _L	10,000			hours	【Note 3】

【Note 1】 Available current range considering light-adjustment.

【Note 2】 Calculated value for reference (I_L × V_L)

【Note 3】 Lamp life terminates when the luminance under the rated power reached 50% of the initial value after the continuous operation under rated power and the room temperature.

(6) Optical characteristics

Table 3

Ta=25°C

Parameter	Symbol	MIN.	TYP.	MAX.	Unit	Remarks
Luminance	Y _L		26,000		cd/m ²	(just for reference)
Chromaticity	X	0.261	0.291	0.321		【Note 3】
	Y	0.241	0.271	0.301		

【Note 3】 The measurement shall be executed 15~20 minutes after lighting attracted power.

The value measured at the center of the cold cathode fluorescent tube at a viewing cone 0.1° by TOPCON luminance meter BM-7.

(7) Environmental condition

- 7-1) Operating temperature range 0 ~ +50 °C
- 7-2) Storage temperature range -25 ~ +60 °C

(8) Procedure to exchange backlight unit

Fig. 2 shows the procedure to exchange backlight unit.

Please follow the below instructions to exchange the backlight unit for TFT-LCD module .

* When handling the module , please be careful not to scratch on the LCD panel surface or not to make it dirty.

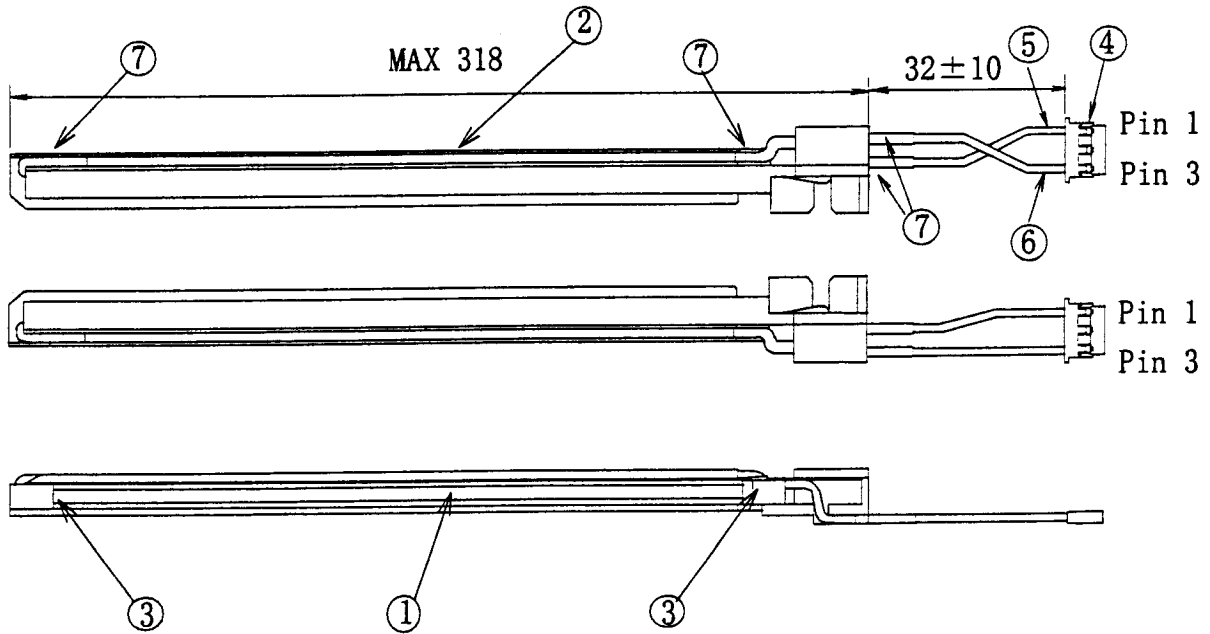
- 8-1) Work this exchange putting the module(1) rear side on the top and locate the inverter portion at the worker side. Disconnect 2 connectors between the lamp(A) and the inverter(B).
Please be careful not to pull out the lead wire.
- 8-2) The latch for the holder can be loosened by pulling out and slightly twisting the holders. The twist direction is clockwise for the right side holder (bottom side) and counterclockwise for the left side holder (top side).
Please draw the lamp holder slowly and not to pull out the lead wire.
- 8-3) Insert the new lamp holder(2) into the backlight slot slowly and fix the holder latching to the hooking portion.
Please be careful not to put foreign articles into the holder.
- 8-4) Connect 2 connectors between the lamp and the inverter.

(9) Packing form

Packing form is shown in Fig. 3.

(10) Others

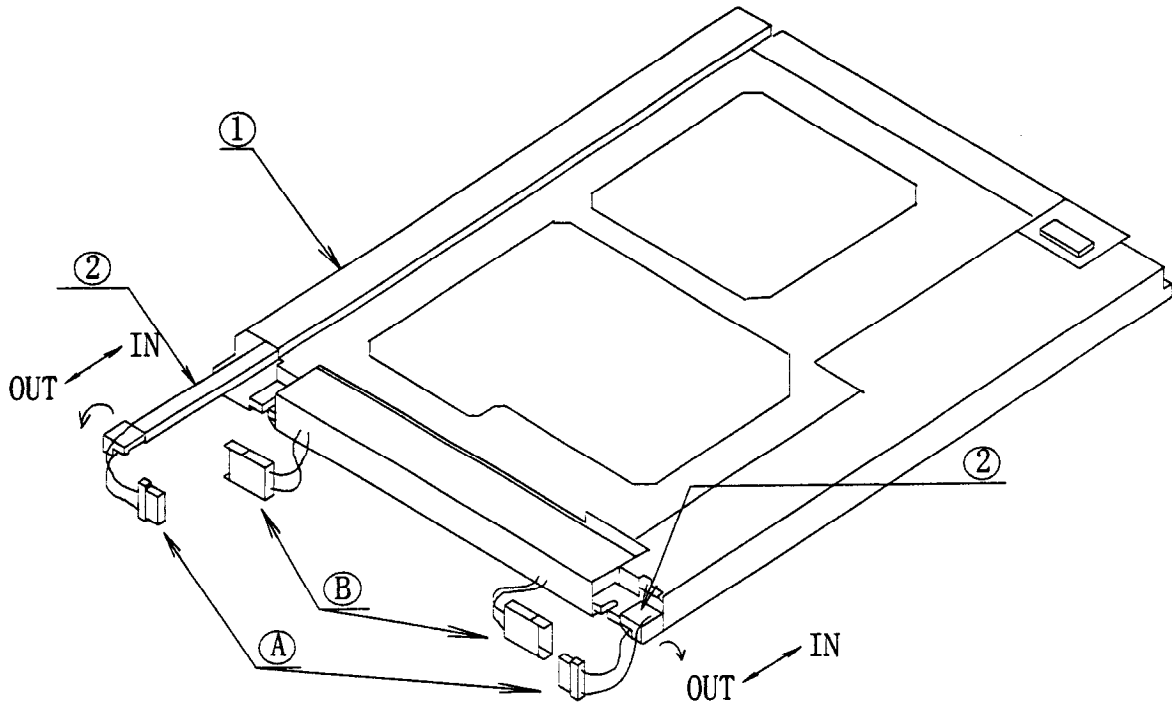
If any problem occurs in relation to the description in the present specifications or other relevant items, it shall be eliminated in all sincerity through discussion.



Pin NO.	Symbol	Color
1	V _{HIGH}	Blue
2	NC	—
3	V _{LOW}	White

No.	Part unit	Q'ty	Material etc.
1	Lamp	2	φ 2.6 L=297mm
2	Lamp holder	2	PC
3	Lamp rubber cushion	4	Silicon rubber
4	Connector	2	JST BHR-03VS-1
5	Wire (High voltage side)	2	UL3239#24DC3kV L= 32 ± 10 mm
6	Wire (Low voltage side)	2	UL3239#24DC3kV L= 32 ± 10 mm
7	Shrink tube	6	Sumitube

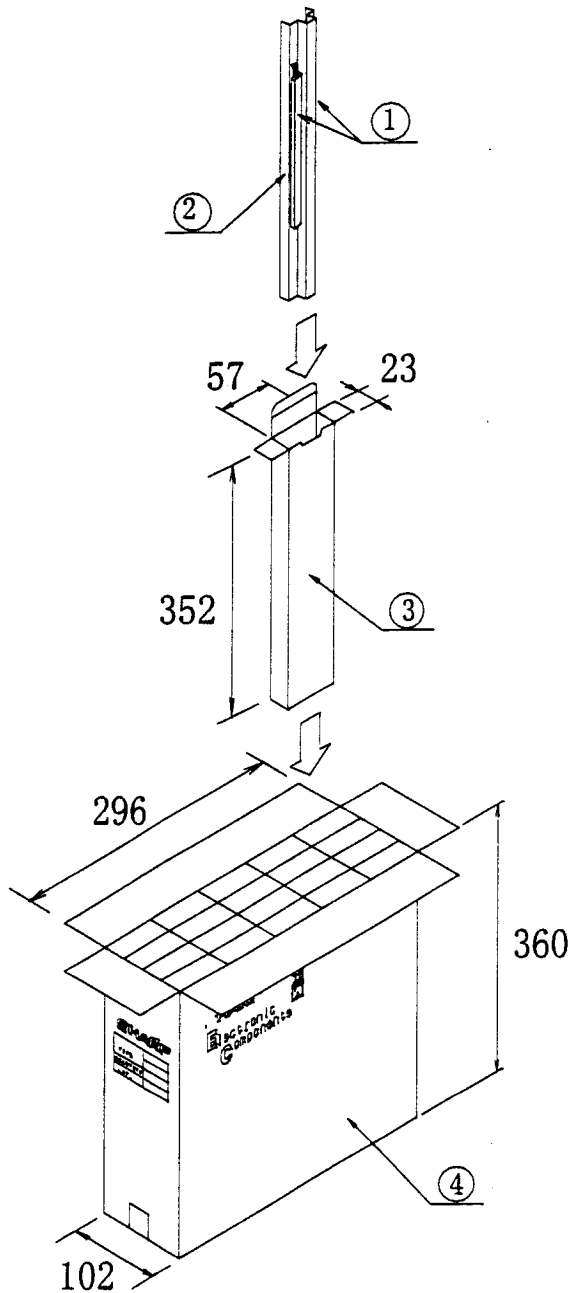
Fig. 1. Outline drawing of backlight unit



	Name	Q'ty
A	connectors between the lamp	2
B	connectors between the inverter	2

No.	Part	Q'ty
1	Module	1
2	Lamp assy	2

Fig. 2. Procedure to exchange backlight unit



No.	Part unit	Q'ty
1	Lamp Holder × 2	20set
2	Bumper	20
3	Inner Carton	20
4	Outer Carton	1

20 unit in each carton

Weight (g) : 1500 g

TYPE	LQ0B152
QUANTITY	20
LOT (DATE)	

Fig. 3. Packing form