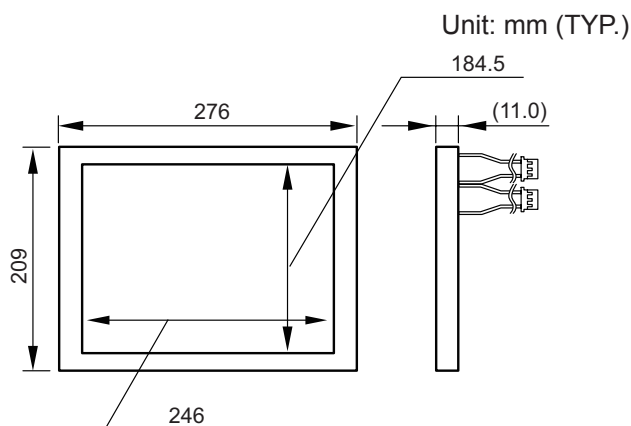


31 cm [12.1"] SVGA TFT-LCD Module for IA (Industrial Appliance)**LQ121S7LY01****Features**

- Minute reflective 12.1" SVGA
- 2.0% reflectivity realizing high visibility even in direct sunlight
- Wide viewing angle: L/R: 160°, U/D: 160°
- Mount interchangeable with LQ121S1LW01 (ASV type)
- Backlight replacement is possible (sliding type)

Outline Dimensions**Specifications**

Items	Specifications
Dot format (vertical stripe)	800 x RGB x 600 dots
Pixel pitch	0.3075 x 0.3075 mm
Outline dimensions	276 x 209 x 11 mm
Weight	(800 g)
Number of colors	262 144 colors (6-bit colors)
Viewing angle (CR \geq 10)	(L/R: 160°, U/D: 160°)
Contrast ratio	(350 : 1)
Brightness	(200 cd/m ²)
Reflectivity	(2.0%)
Backlight	(CCFT x 2 upper lights)
Applicable connector for backlight	JST: BHR-02(8.0)VS-IN
Backlight lifetime (replacement method)	50 000 hours (sliding type)
I/F	LVDS 1-channel
Applicable connector for I/F	JAE: FI-SE20ME
Supply voltage	+ 3.3 V

■ Under copyright laws, no part of this publication may be reproduced or transmitted in any form or by any means, electronic or mechanical for any purpose, in whole or in part, without the express written permission of SHARP.
 ■ SHARP reserves the right to make changes in the contents described herein at any time without notice. Contact SHARP in order to obtain the latest device specification sheets before using any SHARP device.